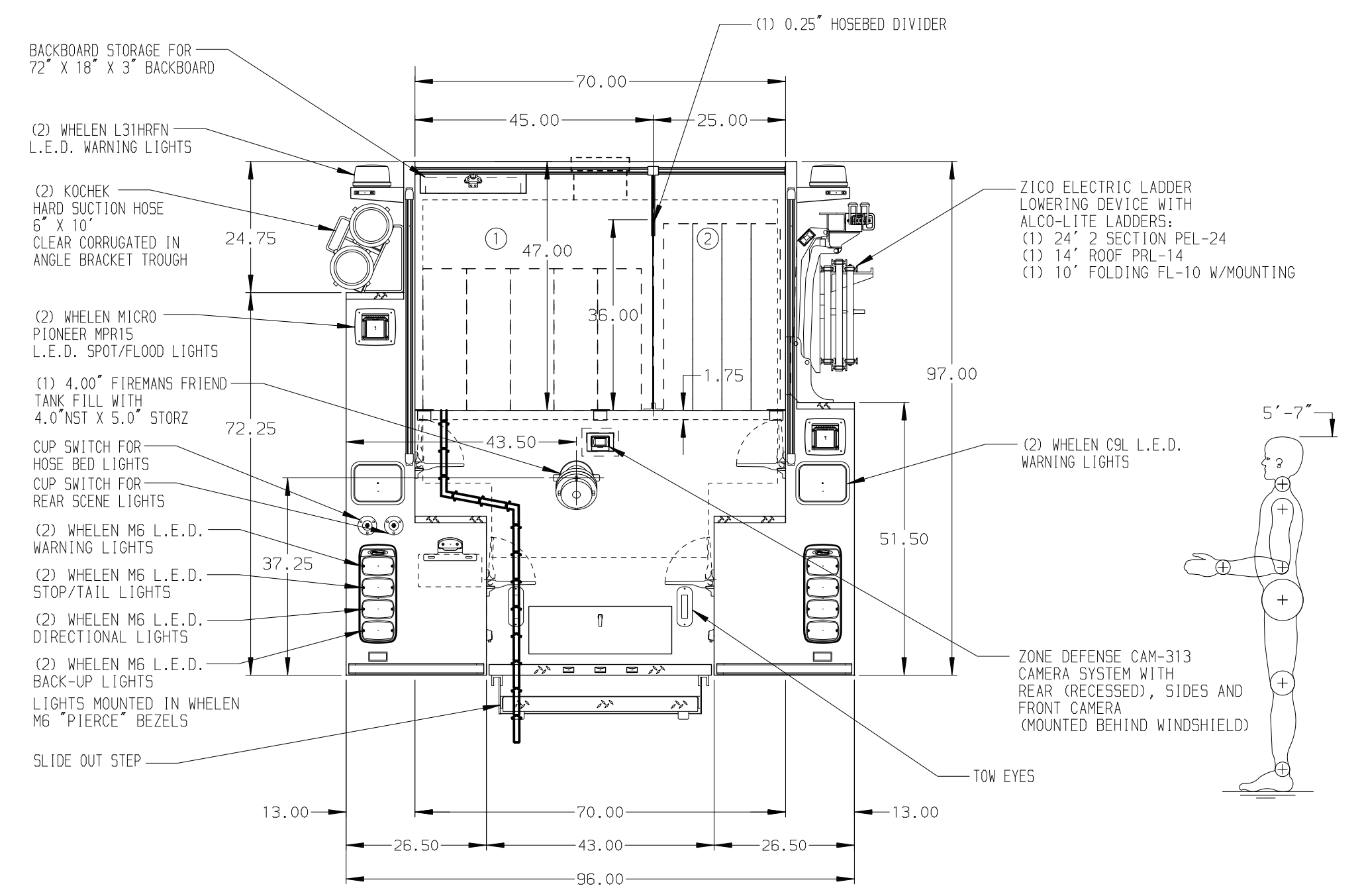
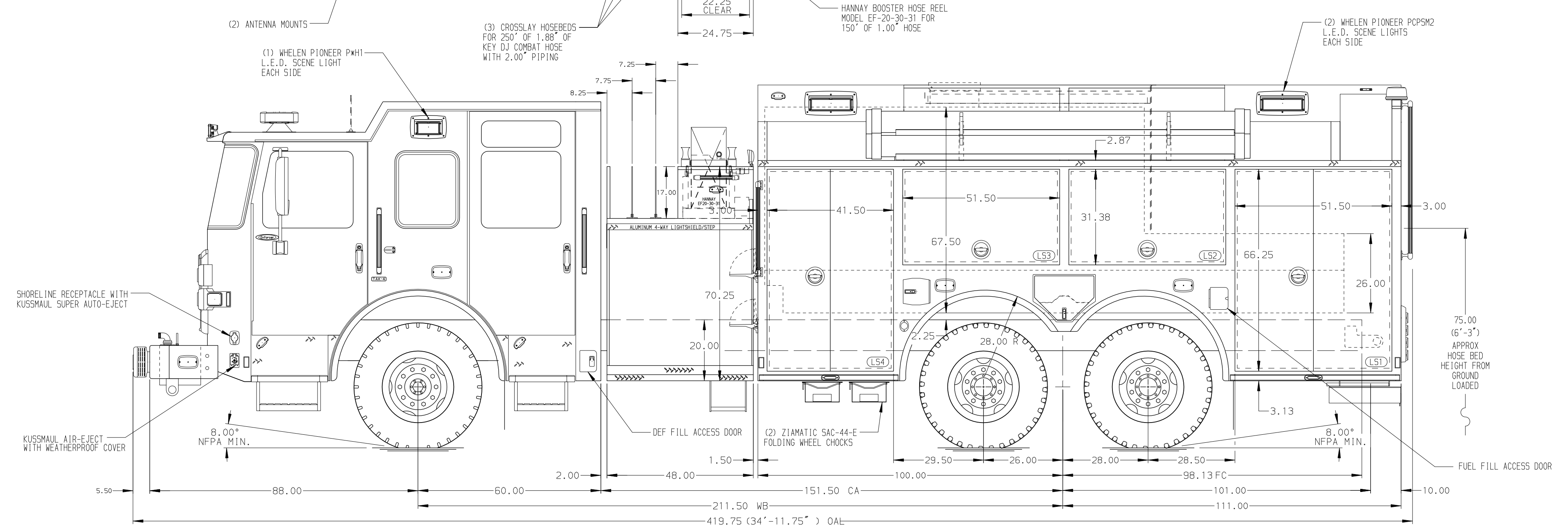


HOSEBED CAPACITIES

① - 1000' OF 5.00" RUBBER HOSE

② - 1000' OF 3.00" DJP HOSE



ALUMINUM BODY

MAXIMUM OAH: 126.00"

MAXIMUM OAL: 420.00"

NOTE
DIMENSIONS SHOWN ARE APPROXIMATE AND ARE SUBJECT TO MINOR DEVIATIONS AS MAY OCCUR OR BE NECESSARY IN CONSTRUCTION. MINOR DETAILS NOT SHOWN.

- AIR OUTLET WITH SHUTOFF VALVE AND MILTON "M" FITTING LOCATED AT DRIVER'S SIDE PUMP PANEL
- PACCAR DEF TANK MOUNTED UNDER CAB ON THE DRIVER'S SIDE
- KUSSMAUL BATTERY CHARGER LOCATED BEHIND DRIVER'S SEAT
- BATTERY CHARGER INDICATOR LOCATED NEAR THE DRIVER'S SEAT RISER WITH SPECIAL BRACKET
- DUAL L.E.D. LIGHT STRIPS LOCATED IN HOSE BED
- DUAL L.E.D. LIGHT STRIPS LOCATED IN EACH SIDE COMPARTMENT
- ADDITIONAL L.E.D. LIGHT STRIPS LOCATED IN RS2 AND RS3
- PULL STRAP ON LEFT UP DOORS IN COMPARTMENTS LS2 AND LS3
- ONE FULL WIDTH/DEPTH ADJUSTABLE SHELF IN COMPARTMENTS LS1, LS4, RS1, AND RS4
- ONE FLOOR MOUNTED SLIDE-OUT TRAY IN COMPARTMENT LS4
- PAC TRAC INSTALLED IN COMPARTMENTS LS1, LS2, LS3, AND LS4

REV	DATE	BY	CH	ENFORCER
100CT22	SAM	CLM		CHASSIS DATA
21JAN22	SAM	CLM		MAKE
02DEC21	SAM	CLM		PIERCE
06OCT21	SAM	EGO		MODEL

		JOB NO.	36518
		SCALE	DATE
TITLE 1500-D-2250G, 2250G WATER, 211" TANKER BODY (3) CROSSLAYS, LADDER RACK, BOOSTER REEL, DELUGE	FOR FAYETTEVILLE FIRE DEPARTMENT FAYETTEVILLE, ARKANSAS	DRAWN BY	SAM
		CHECKED BY	EGO
DWG NO. 36518AD	SHEET NO. 1 OF 1	SHEET SIZE	D