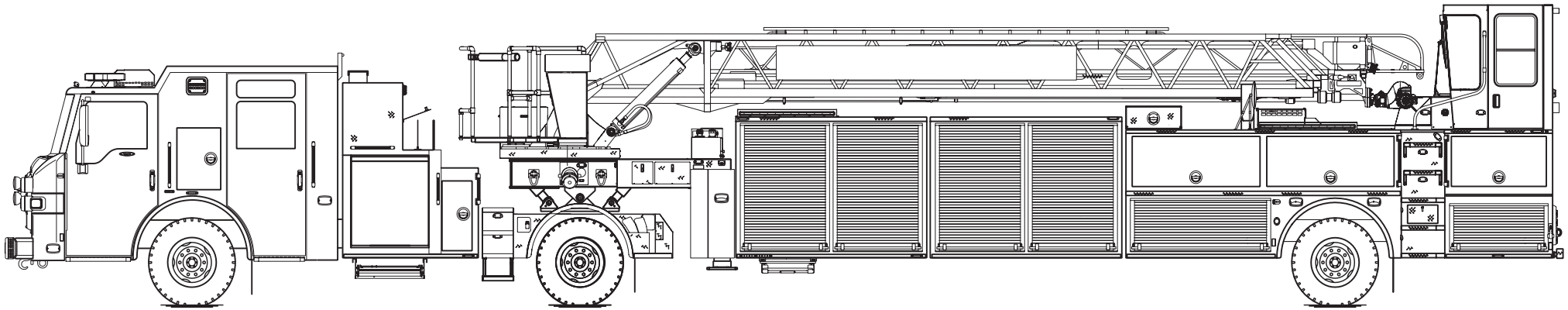




# South Salt Lake City Fire Department, UT

## Velocity® Ascendant® 107' Heavy-Duty Tractor Drawn Aerial



Sourcewell   
Awarded Contract

### Chassis

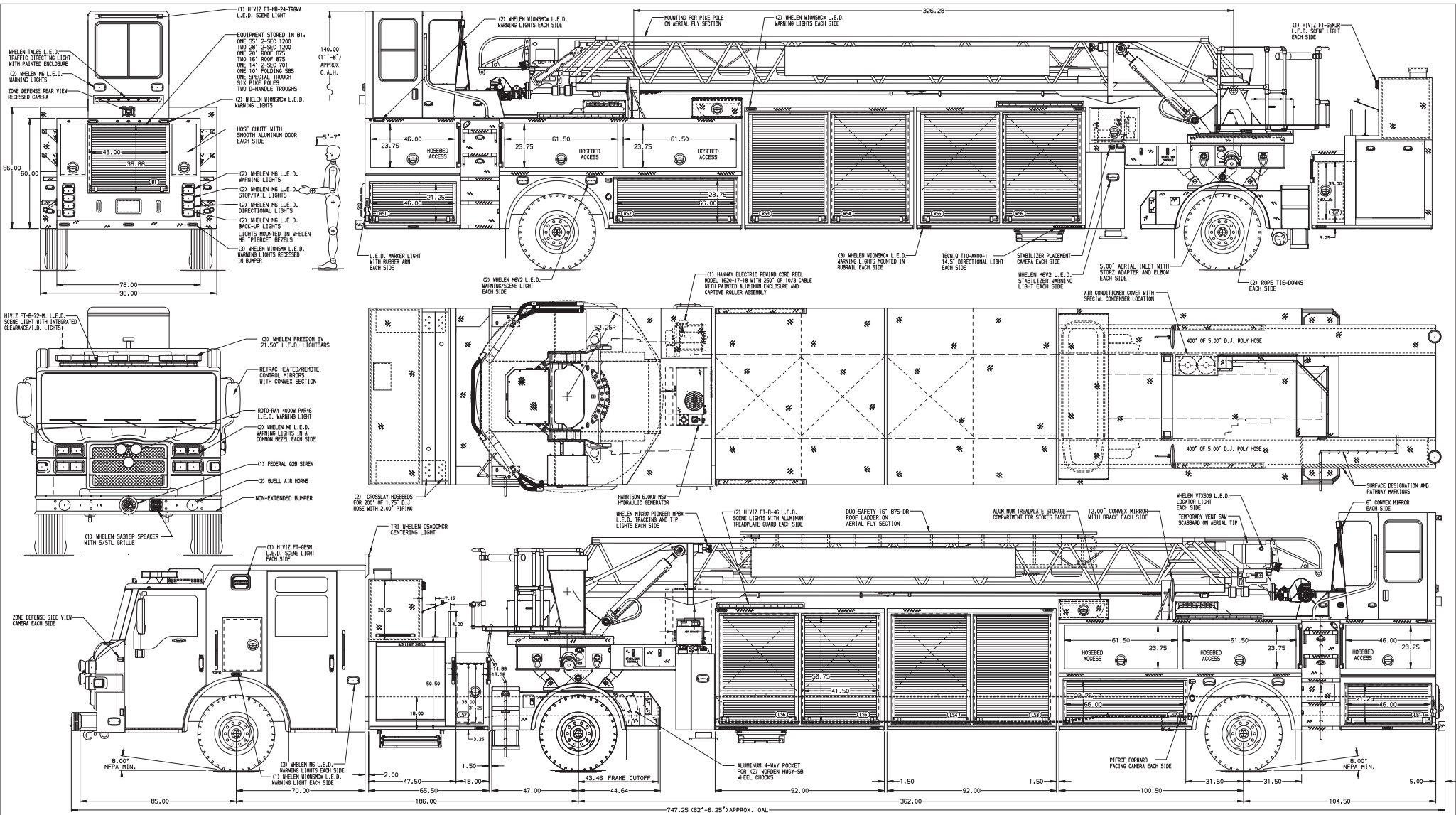
Chassis	70" <b>Velocity</b> cab with 10" raised roof
Seating Capacity	6
Overall Height	11' 8"
Overall Length	62' 6.25"
GVW Rating	76,600 lb
Safety	<b>Frontal Impact Protection</b>
Front Axle	<b>TAK-4® Independent Front Suspension</b> , 22,800 lb
Rear Axle	Meritor RS30-185, 31,000 lb
Electrical System	<b>Command Zone™ Advanced Electronics System</b>

### Body

Material	Aluminum
Shelving	Adjustable, up to 500 lb
Doors	Roll-up and lap
Tank	300 gallons
Pump	Darley, 1,500 gpm
Pump Panel	47.5" pump panel
Generator	Harrison 6 kW, hydraulic

### Aerial Device

Device	<b>Ascendant 107' Heavy-Duty Tractor Drawn Aerial</b>
Reach	107' vertical 100' horizontal
Tip Load	750 lb dry 500 lb wet
Equipment	100 lb allowance
Flow Rate	1,500 gpm
Stabilizers	1 set, 17' spread



**ALUMINUM BODY**

NOTE  
 DIMENSIONS SHOWN ARE APPROXIMATE AND ARE SUBJECT TO MINOR DEVIATIONS AS MAY OCCUR OR BE NECESSARY IN CONSTRUCTION.  
 MINOR DETAILS NOT SHOWN.

1. AIR INLET/OUTLET WITH DISCONNECT FITTING LOCATED AT DRIVER'S SIDE STEP WELLS
2. BATTERY CHARGER INDICATOR LOCATED NEAR DRIVER'S SEAT RISES WITH BRACKET
3. BATTERY CHARGER LOCATED BEHIND DRIVER'S SEAT PER SHOP ORDER
4. SHOULDER LOCATED AT DRIVER'S SIDE SHOP WELLS
5. L.E.D. LIGHTS ON AERIAL LADDER SECTIONS
6. 2-WAY WINDOWN SYSTEM BETWEEN AERIAL TIP AND PLATFORM AND TURNABLE
7. STEERING SHAFT RAISED 6.00" FOR RAISED REAR BODY/TILLER CAB
8. L.E.D. LIGHT STRIP LOCATED IN HOSE BEDS PER SHOP ORDER
9. AIR HORN CONTROL AT AERIAL, TURNABLE
10. ONE 6-PLACE RECEPTACLE STRIP LOCATED IN CAB PER SHOP ORDER

11. AERIAL BODY SUPPORT RAISED 9.50"

**FRONTAL IMPACT PROTECTION**

		JOB NO.	37152
		SCALE	1:24
<b>CHASSIS DATA</b> TITLE 107" ASCENDANT AERIAL TILLER AND BODY ASSY 300 GALLON WATER TANK MAKE PIERCE FOR SOUTH SALT LAKE CITY FIRE DEPARTMENT SOUTH SALT LAKE, UT DWG NO. 37152AD-SH1		DATE	
		DRAWN BY	LWE 10MAY22
REV 16SEP22 LME CHR REV 22JUL22 LME CHR REV DATE BY CH		CHECKED BY	CR1 12MAY22
		SHEET SIZE	D 1 of 2