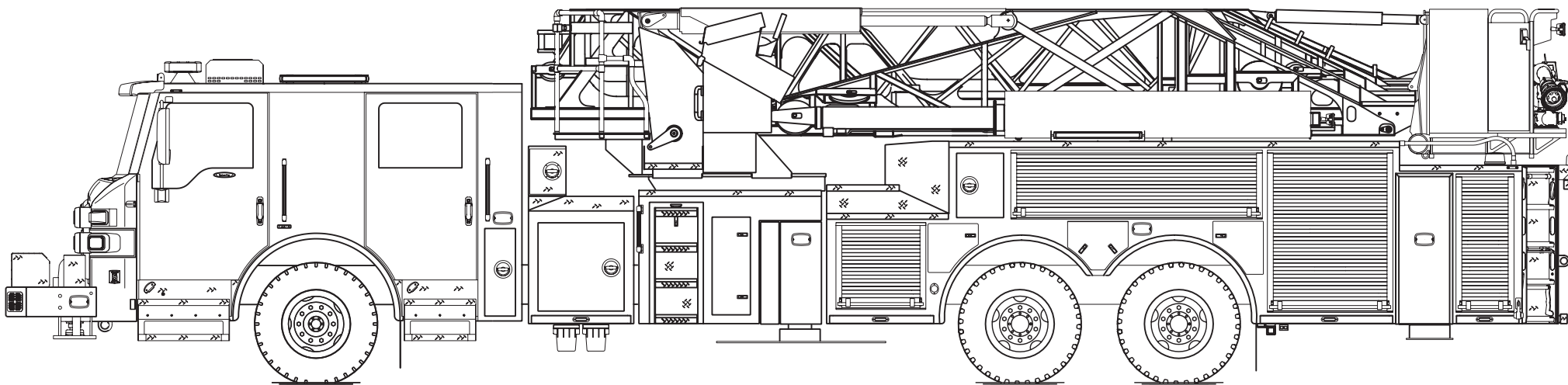




PERFORM. LIKE NO OTHER.™

City of Chesapeake, VA Velocity® Ascendant® 100' Heavy-Duty Aerial Tower



Chassis

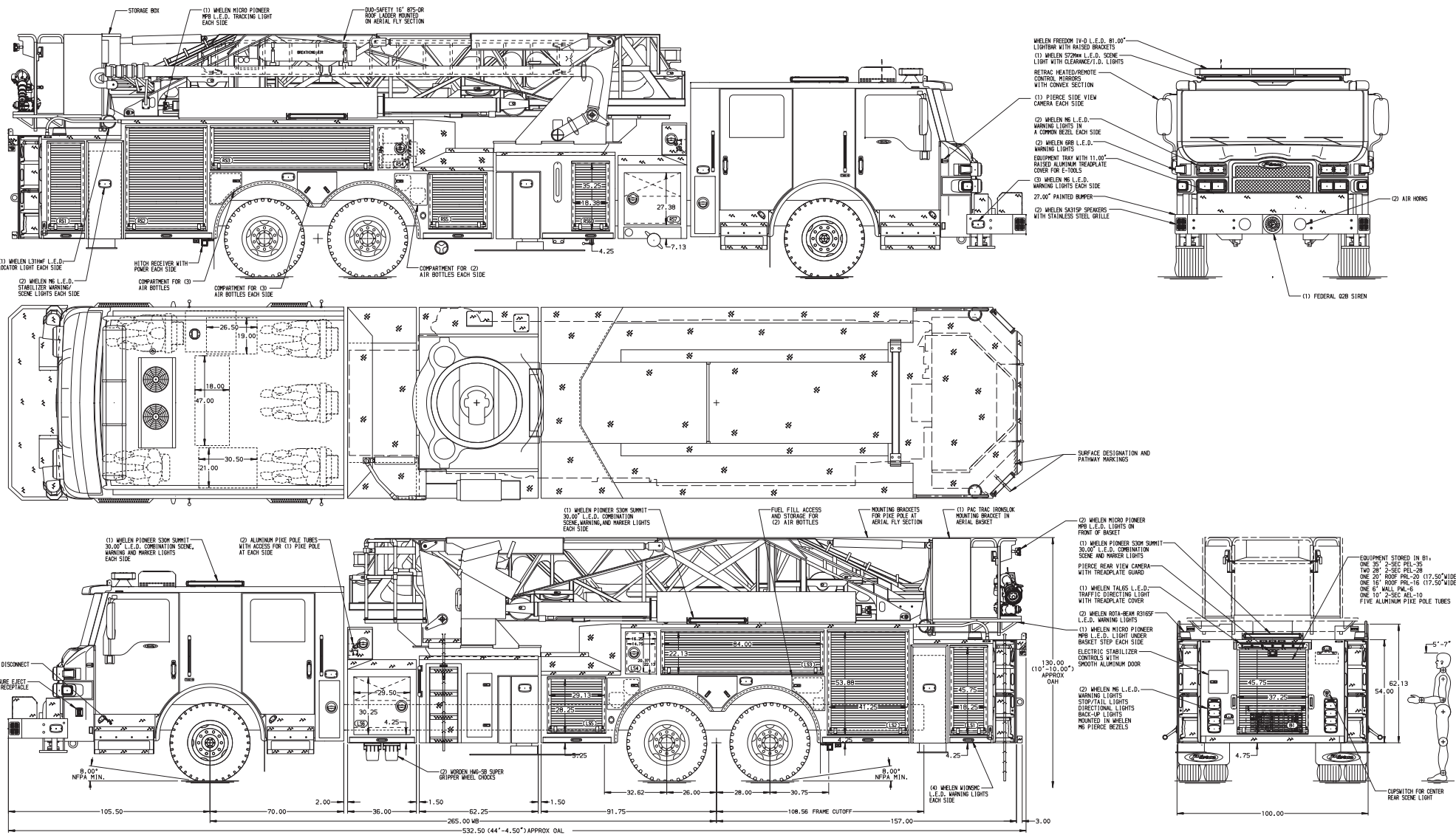
Chassis	70" Velocity cab
Seating Capacity	5
Overall Height	10' 10"
Overall Length	44' 4.5"
GVW Rating	76,000 lb
Safety	Side Roll and Frontal Impact Protection
Front Axle	TAK-4® Independent Front Suspension , 24,000 lb
Rear Axle	Meritor RT50-160, 52,000 lb
Engine	PACCAR MX-13, 510 hp, 1,850 lb-ft
Electrical System	Command Zone™ Advanced Electronics System

Body

Material	Aluminum
Shelving	Adjustable, up to 500 lb
Doors	Roll-up
Generator	Harrison 6 kW, hydraulic

Aerial Device

Device	Ascendant 100' Heavy-Duty Tower
Reach	100' vertical 93' horizontal
Tip Load	1,000 lb dry 500 lb wet
Equipment	150 lb allowance
Flow Rate	2,000 gpm
Stabilizers	1 set, 18' spread 4 down-jacks
Platform	4-person



ALUMINUM BODY SIDE ROLL AND FRONTAL IMPACT PROTECTION

NOTE
 DIMENSIONS SHOWN ARE APPROXIMATE AND ARE SUBJECT TO MINOR DEVIATIONS AS MAY OCCUR OR BE NECESSARY IN CONSTRUCTION.
 MINOR DETAILS NOT SHOWN.

1. DEF TANK MOUNTED UNDER CAB ON THE DRIVER'S SIDE
2. ALUMINUM RAMP ON GAS ROOF
3. BATTERY CHARGE INDICATOR LOCATED NEAR DRIVER'S SEAT RISES WITH BASKET
4. HARRISON RED WIGG'S HYDRAULIC GENERATOR LOCATED IN THE REAR COMPARTMENT PER ORDER
5. TECNO L.E.D. RING STYLE LIGHTING ON AERIAL LADDER SECTIONS PER ORDER
6. DC POWER TO AERIAL BASKET
7. 2-WAY INTERCOM SYSTEM BETWEEN AERIAL TIP OR PLATFORM AND TURNABLE
8. BREATHING AIR TO AERIAL TIP
9. 3-1/4" I LIVE BRACKETS ON BASKET

CHASSIS DATA	TITLE	100' ASCENDANT AERIAL TOWER AND BODY ASSEMBLY NO PUMP / NO TANK	JOB NO.	37181
PIERCE	FOR	CITY OF CHESAPEAKE CHESAPEAKE, VA	SCALE	1:24
MODEL	DWG NO.	37181AD-SH1	DATE	
REV	DATE	BY	CH	VELOCITY
24MAY22	SHU	JBL		

Pierce MANUFACTURING INC.

DRIVEN BY JGA 28FEB22
 CHECKED BY JBL 01MAR22
 SHEET NO. 1 OF 2