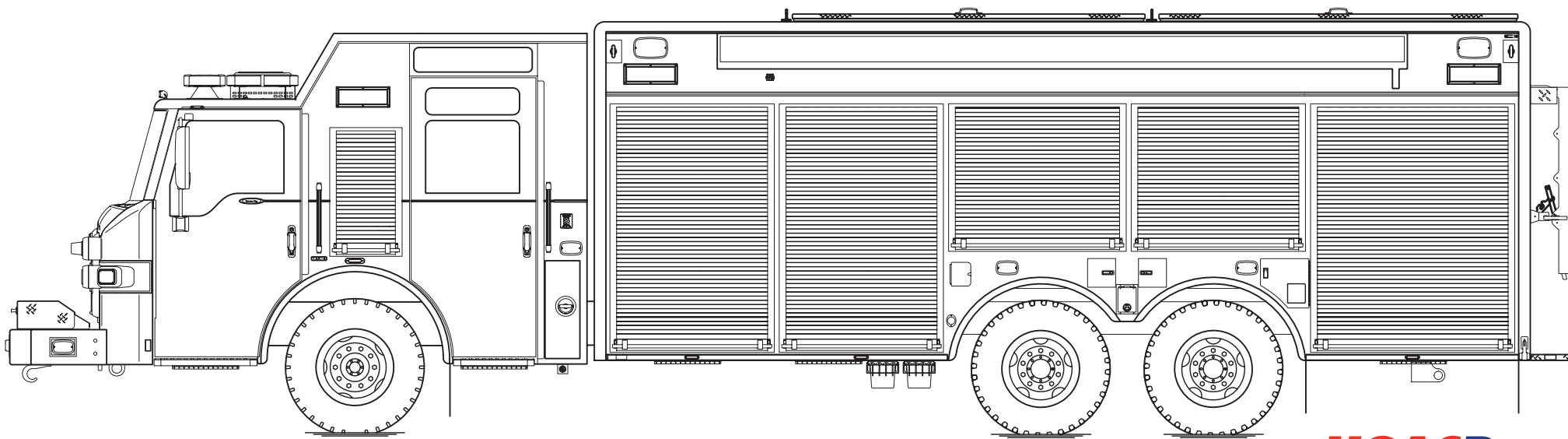




PERFORM. LIKE NO OTHER.™

South Hill Volunteer Fire Department, VA Velocity® Non-Walk-In Heavy-Duty Rescue



HGACBuy™
THE SMART PURCHASING SOLUTION

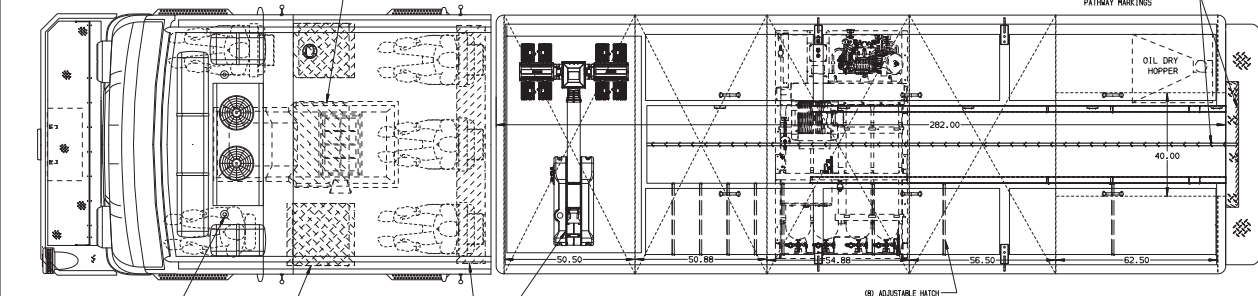
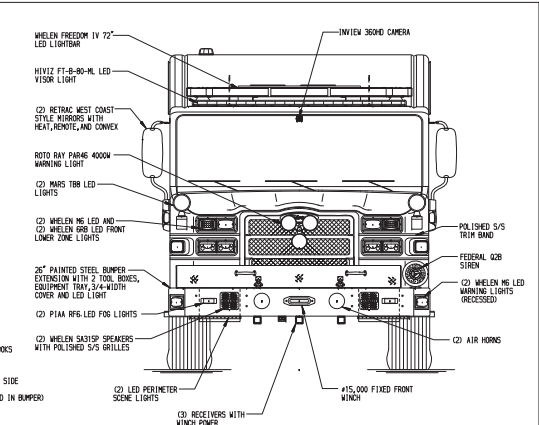
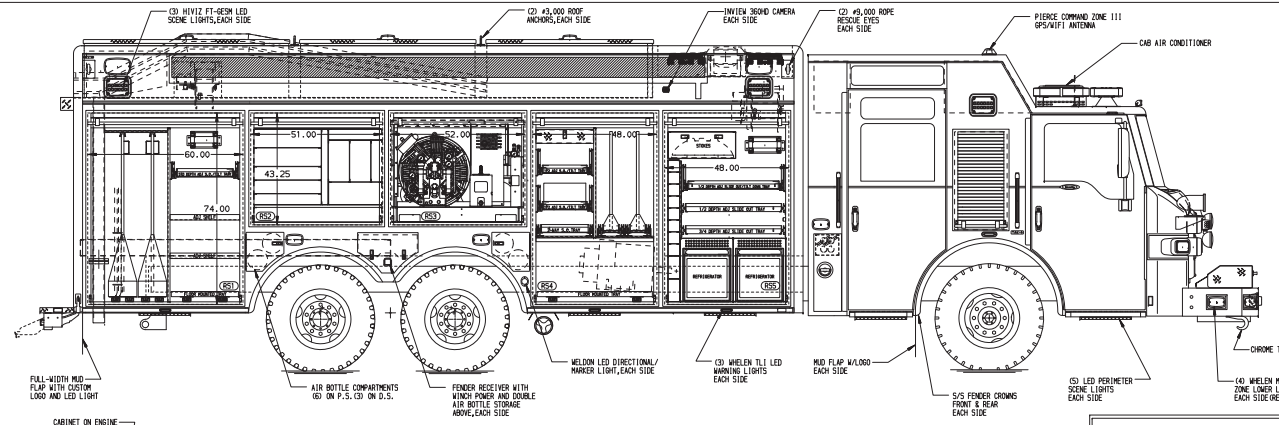
Chassis

Chassis	70" Velocity cab with 20" raised roof
Seating Capacity	5
Overall Height	11' 3"
Overall Length	39' 4.25"
GVW Rating	68,800 lb
Front Axle	TAK-4® Independent Front Suspension , 22,800 lb
Rear Axle	Meritor RT46-160, 48,000 lb
Rear Suspension	Neway AD246 Air Ride, 46,000 lb
Engine	Cummins X12, 500 hp, 1,700 lb-ft
Electrical System	Command Zone™ Advanced Electronics System

Body

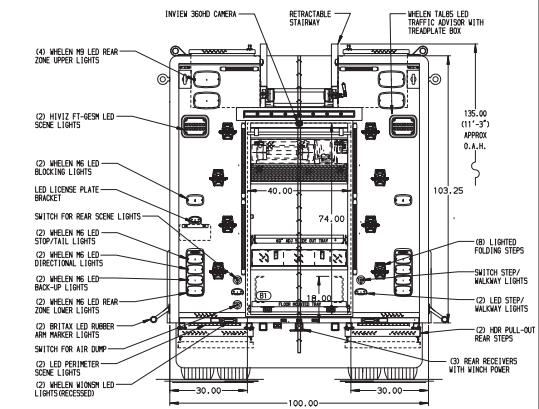
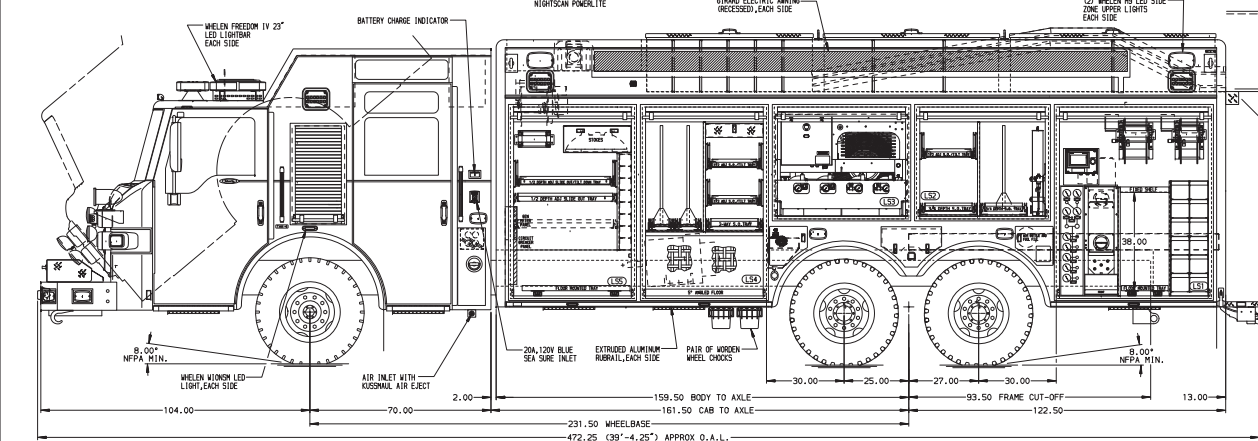
Material	Aluminum
Shelving	Adjustable, up to 500 lb
Doors	Roll-up
Comfort	(2) Recessed Girard 12 VDC electric awnings
Anchors	(4) Roof-mounted, 3,000 lb (6) Side-mounted, 9,000 lb
Generator	Lima 40 kW continuous, 120/240 VAC 3-phase
Safety	Will-Burt Night Scan Powerlite light tower
Breathing Air	Breathing air system with Bauer compressor 4 ASME vessels and RSP fill enclosure

- RIGHT SIDE COMPARTMENTS CONTAIN THE FOLLOWING:**
- COMPARTMENT R51 CONTAINS:**
- (1) OIL DRY HOPPER
 - (1) VERTICAL COMPARTMENT DIVIDER
 - (1) 3/4 DEPTH ADJ SLIDE OUT TRAY
 - (2) FLOOR MOUNTED TRAYS WITH TOOLBOARDS
 - (1) LOW PRESSURE AIR REEL W/150' OF HOSE
 - (1) BACK FOR 12 PALLETS
 - (1) STD DEPTH ADJ SLIDE OUT/TILT TRAY
 - (1) FLOOR MOUNTED TRAY
- COMPARTMENT R52 CONTAINS:**
- (1) 1/2 SLUET RACK
- COMPARTMENT R53 CONTAINS:**
- (1) BAUER F18 1-20-02 BREATHING AIR COMPRESSOR WITH 4 ASBE BOTTLES
- COMPARTMENT R54 CONTAINS:**
- (1) FLOOR MOUNTED TRAY
 - (1) HORIZONTAL FLOOR EXTENSION
 - (4) PSY TOOL BOXES
 - (1) VERTICAL COMPARTMENT DIVIDER
 - (1) 1/2 DEPTH ADJ SLIDE OUT/TILT TRAYS
 - (1) 2-WAY FLOOR MOUNTED SLIDE OUT TRAY
 - (2) 2-WAY ADJ SLIDE OUT TOOLBOARDS
 - (1) CUSTOM STORAGE TROUGH
- COMPARTMENT R55 CONTAINS:**
- (1) CUSTOM STORAGE TROUGH
 - (1) 1/2 DEPTH ADJ SLIDE OUT TRAY
 - (1) 3/4 DEPTH ADJ SLIDE OUT TRAY
 - (1) STOKES BASKET RACK
 - (2) NORCOLD REFRIGERATORS
 - (1) ELECTRIC COKE REEL WITH 200' OF 10/3 YELLOW COOD
 - (1) 20A,120V 6-PLACE RECEPTABLES STRIP
 - (1) 1/2 DEPTH ADJ SLIDE OUT/TILT TRAY



- LEFT SIDE COMPARTMENTS CONTAIN THE FOLLOWING:**
- COMPARTMENT L51 CONTAINS:**
- (1) RACK FOR 12 SCBA BOTTLES
 - (1) VERTICAL COMPARTMENT DIVIDER
 - (1) FIXED SHELF
 - (1) CASSE SYSTEM CONTROL PANEL
 - (1) "SPACE SAVER" 2-BOTTLE FILL ENCLOSURE
 - (1) LOW PRESSURE AIR REEL W/150' OF HOSE
 - (1) HIGH PRESSURE AIR REEL W/200' OF HOSE
 - (1) FLOOR MOUNTED TRAY (18" MIN WIDTH)
- COMPARTMENT L52 CONTAINS:**
- (1) BREATHING AIR PURIFIERS
 - (1) 3/4 DEPTH VERTICAL DIVIDER
 - (1) 1/2 DEPTH ADJ SLIDE OUT/TILT TRAY
 - (1) 3/4 DEPTH FLOOR MOUNTED TRAY
 - (1) 3/4 DEPTH FLOOR MTD TRAY W/TOOLBOARD
- COMPARTMENT L53 CONTAINS:**
- (1) BAUER F18 1-20-02 BREATHING AIR COMPRESSOR WITH 4 ASBE BOTTLES
- COMPARTMENT L54 CONTAINS:**
- (5) DEGREE COMPARTMENT FLOOR PITCH
 - (1) HORIZONTAL FLOOR EXTENSION
 - (1) COMPARTMENT RETENTION NETTING
 - (1) VERTICAL COMPARTMENT DIVIDER
 - (1) 1/2 DEPTH ADJ SLIDE OUT/TILT TRAYS
 - (1) 2-WAY FLOOR MOUNTED SLIDE OUT TRAY
 - (2) 2-WAY ADJ SLIDE OUT TOOLBOARDS
 - (1) CUSTOM STORAGE TROUGH
- COMPARTMENT L55 CONTAINS:**
- (1) STOKES BASKET RACK
 - (1) 1/2 DEPTH ADJ SLIDE OUT TRAY
 - (1) 3/4 DEPTH ADJ SLIDE OUT/TILT TRAY
 - (1) LOW MOUNTED TRAY
 - (1) VERTICAL COMPARTMENT DIVIDER
 - (1) NORCOLD REFRIGERATOR PANEL
 - (1) GENERATOR METER PANEL
 - (1) NIGHT SCAN CONTROLLER
 - (1) ELECTRIC COKE REEL WITH 200' OF 10/3 YELLOW COOD
 - (1) 20A,120V 6-PLACE RECEPTABLES STRIPS

- REAR COMPARTMENT CONTAINS THE FOLLOWING:**
- COMPARTMENT R1 CONTAINS:**
- (1) HORIZONTAL FLOOR EXTENSION
 - (1) BACK FOR 6" X 6" SHORING TIMBERS
 - (1) BACK FOR 10' FELDING LAUNDRY
 - (1) BACK FOR 8 SHEETS OF PL-HOOD
 - (1) FLOOR MOUNTED TRAY
 - (1) 60" DP ADJ SLIDE OUT TRAY
 - (1) 20A,120V 6-PLACE RECEPTABLES STRIP



NOTE
DIMENSIONS SHOWN ARE APPROXIMATE AND ARE SUBJECT TO MINOR DEVIATIONS AS MAY OCCUR OR BE NECESSARY IN CONSTRUCTION.
MINOR DETAILS NOT SHOWN.

- NOTES:**
- L1M 40M THREE PHASE PTD DRIVEN GENERATOR LOCATED BETWEEN THE FRAME RAILS
 - POLISHED S/S SCUFFPLATES ON CAB AND CREW CAB DOOR JAMB
 - FLOOR IN CAB AND COMMAND CAB TO BE ALUMINUM TREADPLATE
 - S/S "L"-SHAPED GUARDS ON ALL BODY ROLL-UP DOORS
 - PIERCE DUAL LED LIGHT STRIPS LOCATED IN EACH BODY AND HATCH COMPARTMENT
 - PIERCE 5100D INTERCOM SYSTEM
 - BLUE SEA P12 CHARGER LOCATED BEHIND THE DRIVER'S SEAT
 - PIERCE LED STRIP LIGHT LOCATED ON REAR OF ENGINE TUNNEL
 - DRY-BREAK MATTING ON COMPARTMENT FLOORS IN R51,R54,R55,L51,L54,L55 AND ALL SHELVES AND TRAYS

CLEAR DOOR WIDTH KEY	25JAN23	RCU	CDK	CHASSIS DATA
DRIVER ROLL UP DOORS	-2.1/4"	DHE	CDK	TITLE
DRIVER ROLL UP DOORS	-2.1/4"	07SEP22	DHE	HEAVY DUTY RESCUE NON-WALKIN
DRIVER DOUBLE LIP DOORS	-1.7/8"	08JUN22	DHE	FOR
PIERCE LIFT-UP LAP DOORS	-1.7/8"	03JUN22	DHE	SOUTH HILL VOLUNTEER FIRE DEPARTMENT
EX: 60"-F - 2 1/4" = 57 3/4" CLEAR	13APR22	DHE	CDK	BID #412
(6-F) = FRAME TO FRAME	REV	BY	CH	PIERCE
	DATE			MODEL
				VXFR7020

Pierce MANUFACTURING INC.

HEAVY DUTY RESCUE NON-WALKIN

SOUTH HILL VOLUNTEER FIRE DEPARTMENT

BID #412

37245AD

JOB NO. 37245

SCALE 1:24

DATE

DRWN BY DHE

04APR22

CHECKED BY CDK

06APR22

BY RANDY SMITH

REAR RECEIVERS WITH WINCH POWER

DRG NO. 37245AD

SHEET NO. D

SHEET NO. 1 OF 1