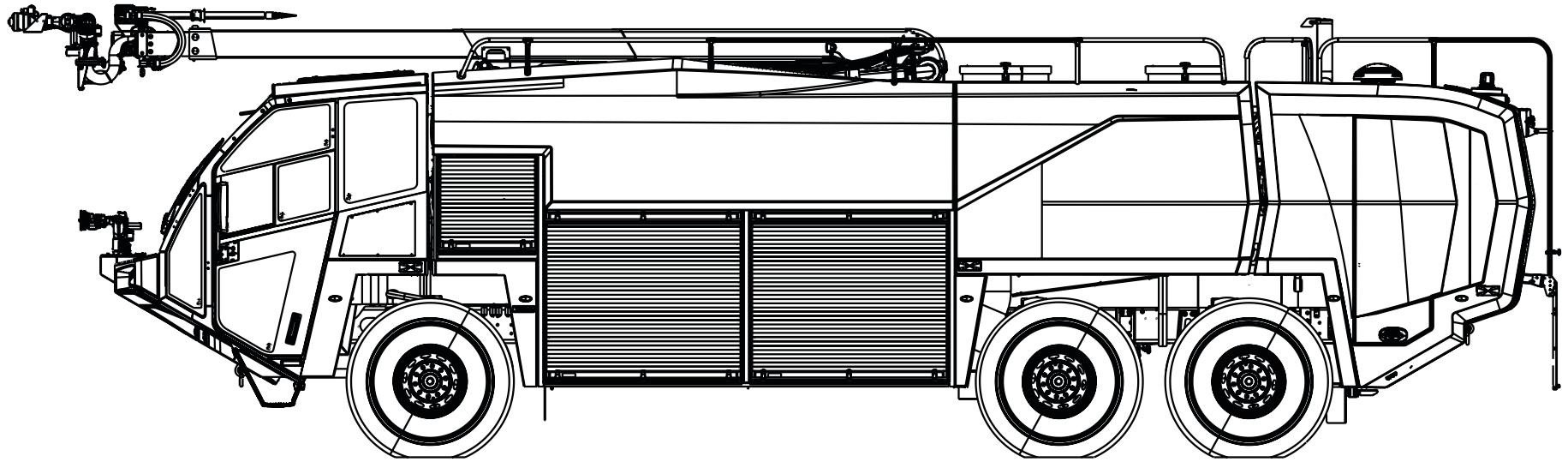




**AIRPORT  
PRODUCTS**

# Striker® Volterra™ ARFF



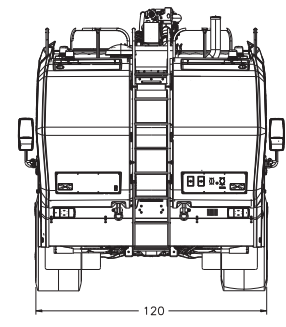
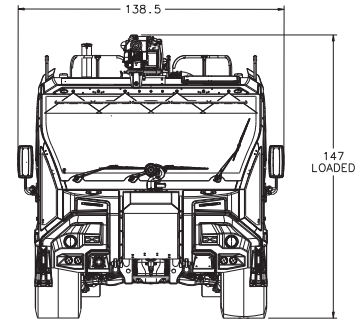
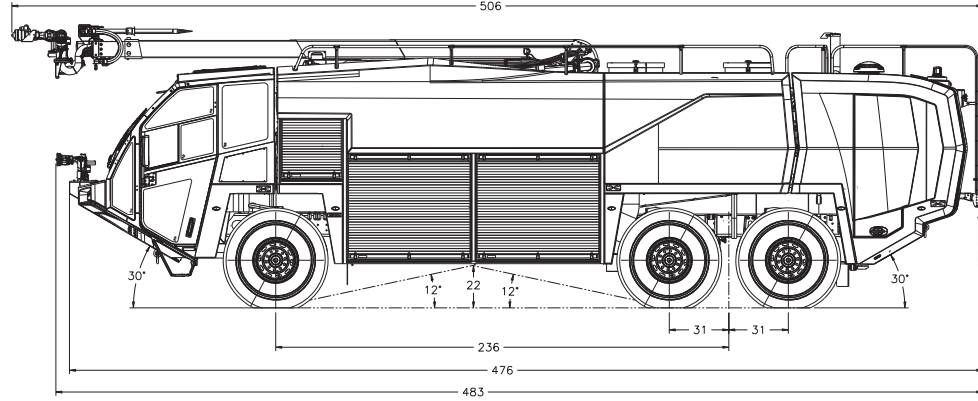
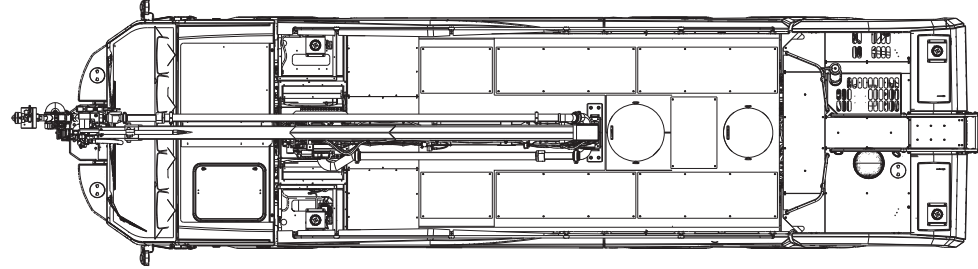
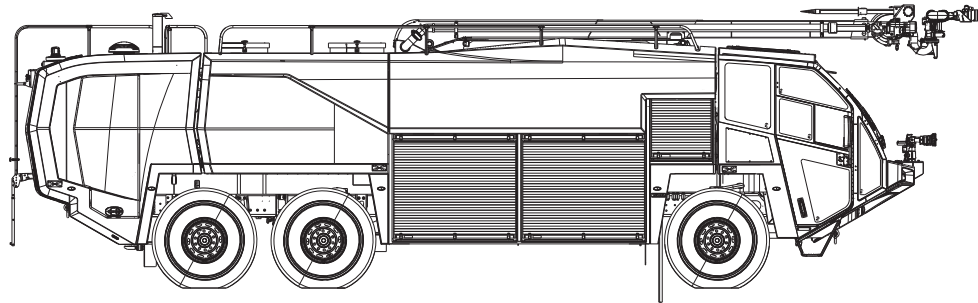
## Chassis

Chassis	<b>Striker 6x6</b>
Seating Capacity	4
Overall Height	11' 11"
Overall Length	39' 6"
GVW Rating	93,000 lb
Safety	<b>ECE R29 Cab Strength</b>
Front Axle	<b>TAK-4® Independent Front Suspension</b> , 31,000 lb
Rear Axle	<b>TAK-4® Independent Rear Suspension</b> , 62,000 lb
Engine	Scania DC13, 550 hp, 1,753 ft-lb
Transmission	<b>Oshkosh patented Electro-Mechanical Infinitely Variable Transmission (EMIVT)</b>
Acceleration	0-50 mph (0-80 kph) in 25 seconds
Electrical System	<b>Command Zone™ Advanced Electronics System</b>
Connectivity	<b>ClearSky™ Telematics Solution</b>

## Body

Roof Turret	<b>50' Oshkosh® Snozzle® with piercing tip</b>
Material	Aluminum and Fiberglass
Shelving	Adjustable, up to 500 lb
Doors	Roll-up
Pump	Waterous, 2,000 gpm
Tank	3,000 gallons
Foam System	<b>Oshkosh Electronic Foam Proportioning System</b>

ZONE		REV	DESCRIPTION	CH	DATE	PREP	APVD
REVISION HISTORY							



- NOTES:
1. DIMENSIONS OR NOTES CONTAINED WITHIN PARENTHESES ARE FOR REFERENCE ONLY.
  2. SEE ASME Y14.100 FOR DRAWING INTERPRETATION STANDARDS.

**COMMERCIAL (EAR99)**

THIS DRAWING IS SUBJECT TO THE EXPORT ADMINISTRATION REGULATIONS. YOU MAY NOT PROVIDE IT TO ANY PROHIBITED END-USERS OR FOR ANY PROHIBITED END-USES AS SET FORTH IN U.S. EXPORT CONTROLS.

THIS DRAWING IS PROVIDED ON A CONFIDENTIAL BASIS SUBJECT TO RETURN ON DEMAND BY OSHKOSH DEFENSE, LLC ("OSHKOSH"), WHICH RETAINS ANY AND ALL RIGHTS ASSOCIATED WITH IT AND THE ARTICLE OR ARTICLES IT REPRESENTS. DISCLOSURE, REPRODUCTION OR ALTERATION OF ANY PART OF THIS DRAWING, OR MANUFACTURE, USE OR SALE OF THE ARTICLE OR ARTICLES REPRESENTED, IS PROHIBITED WITHOUT THE PRIOR WRITTEN AUTHORIZATION OF OSHKOSH. \*OSHKOSH DEFENSE, LLC (oskosh11shad).

UNLESS OTHERWISE SPECIFIED DIMENSIONS ARE IN INCHES	APPROVALS	USER ID	DATE	<b>OSHKOSH</b> OSHKOSH DEFENSE, LLC OSHKOSH, WI 54903 USA
LINEAR 3 PLACES ±0.005	PREPARED	U18606	2021/09/08	
TOLERANCES 1 PLACE ±0.01	APPROVED			TITLE
ANGULAR 1 PLACE ±0.5°	MFG ENG			STRIKER 6X6 3.0
TOLERANCES 2 PLACES ±0.01	CH			W/SNOZ
3RD ANGLE PROJECTION	DATE	DATA	VSPR29	REV
CONTRACT NO.	MFG N/A	FINISH	N/A	SIZE
REFERENCE:	SCALE	N/A	WEIGHT	E50009000385
MATERIAL:	SHEET	01	OF	01