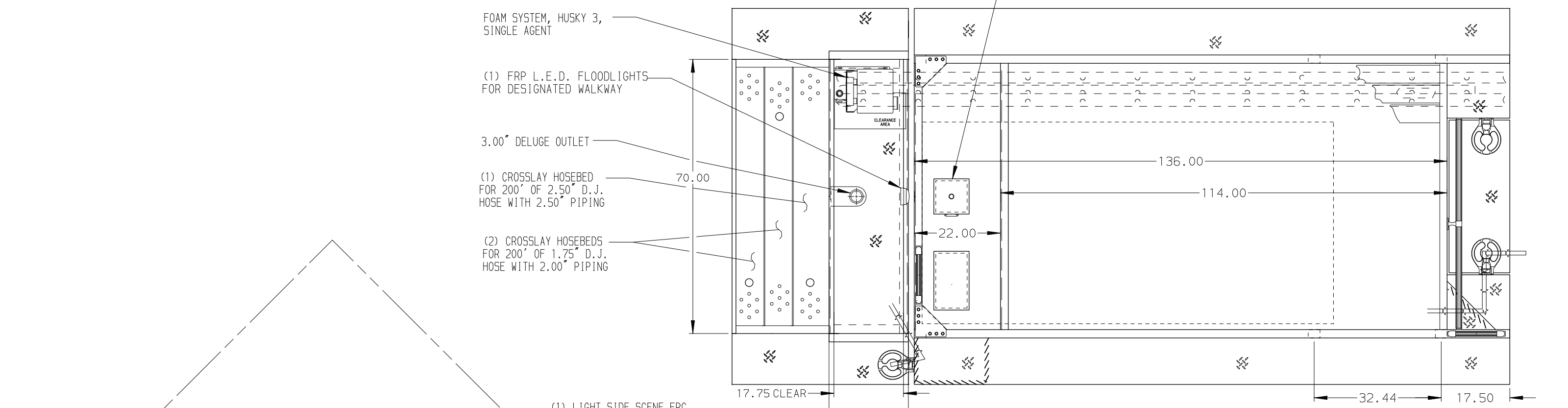
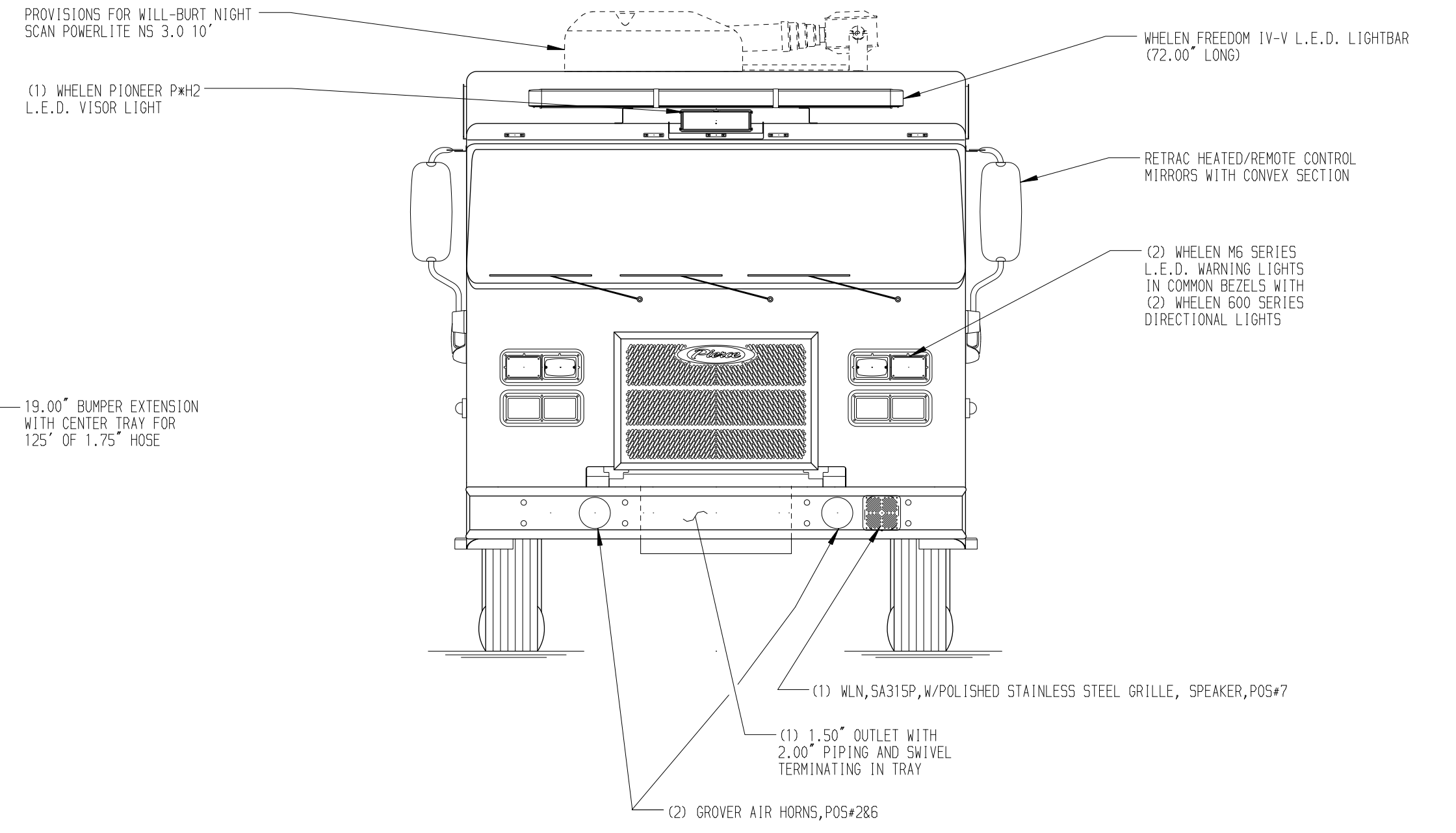
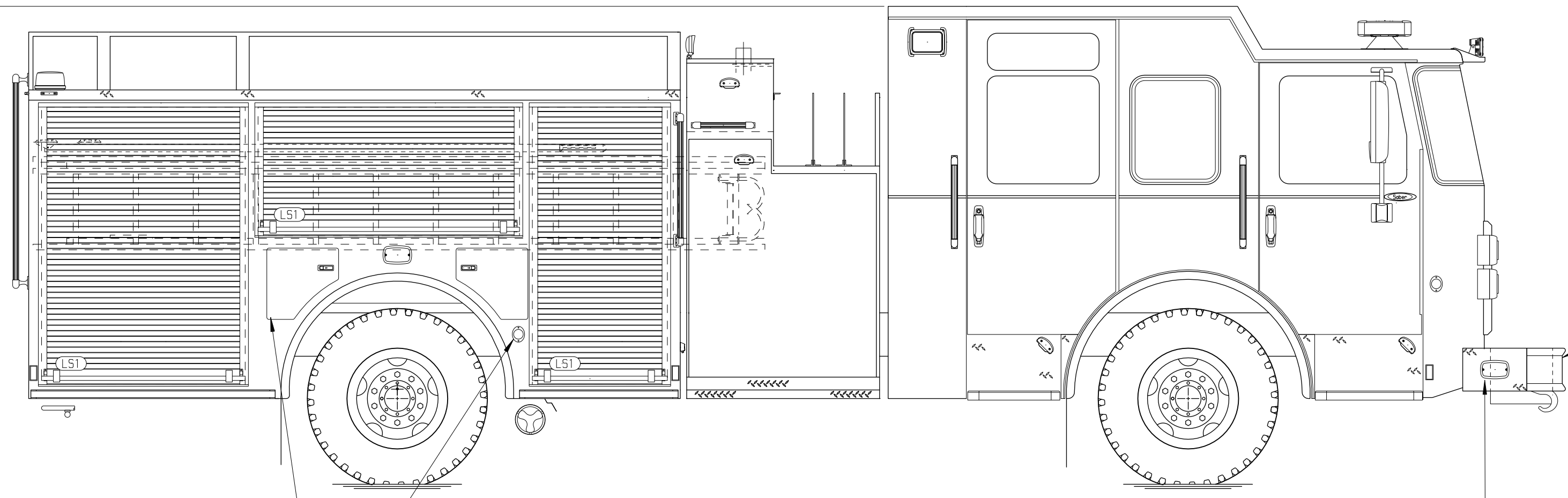
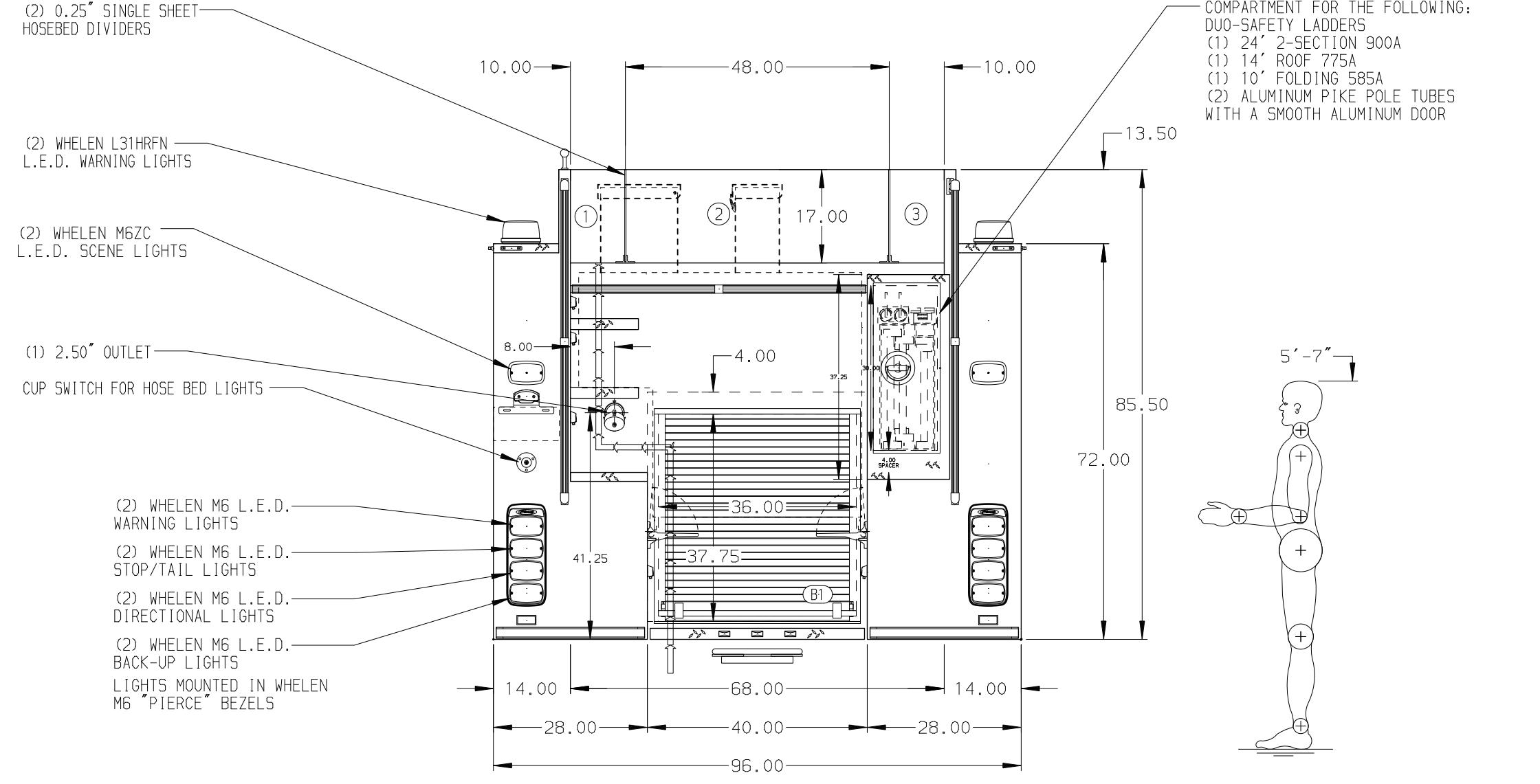
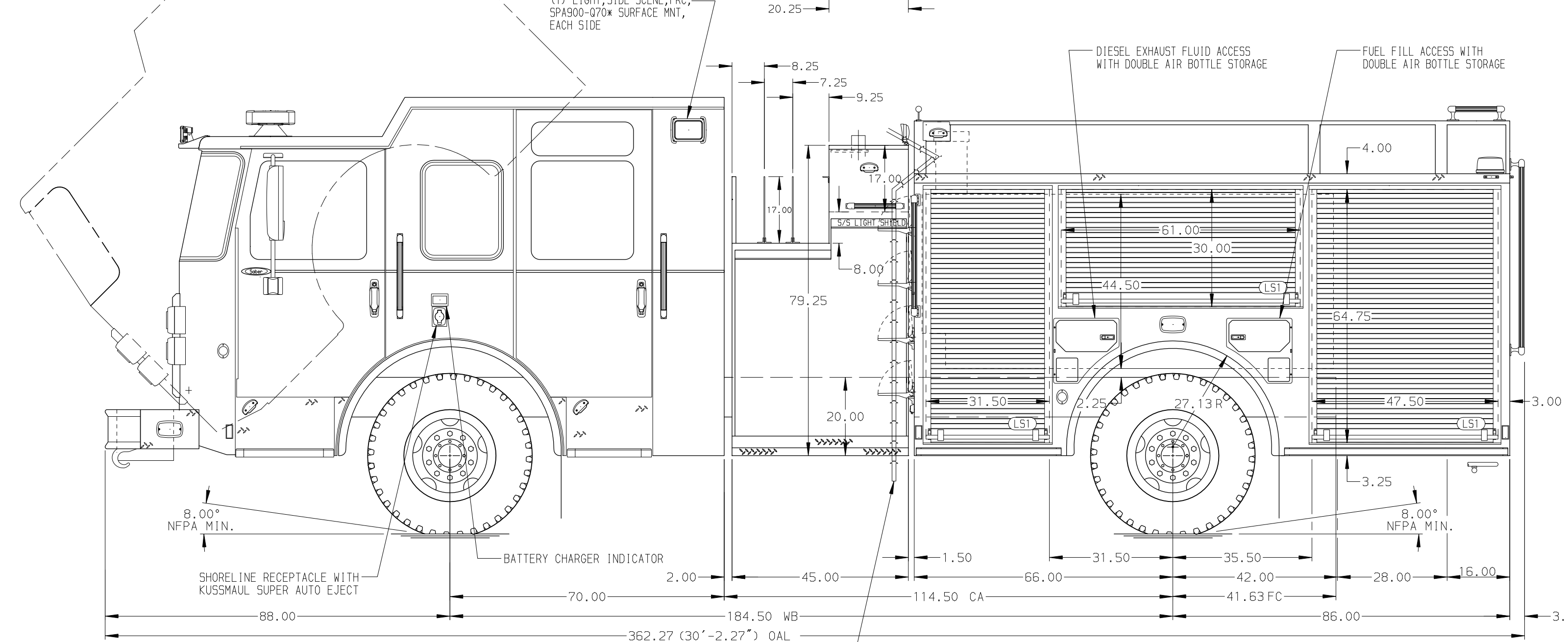


112.00
(9'-4.00")
APPROX
O.A.H.



- HOSEBED CAPACITIES
- ① 200' OF 2.50\"/>



ALUMINUM BODY

NOTE
DIMENSIONS SHOWN ARE APPROXIMATE AND ARE SUBJECT TO MINOR DEVIATIONS AS MAY OCCUR OR BE NECESSARY IN CONSTRUCTION. MINOR DETAILS NOT SHOWN.

CHASSIS DATA	TITLE	1500-D-770 GAL, 750 WATER, 20 GAL FOAM, 152\"/>
PIERCE	FOR	PIERCE FIELD UNIT BRADENTON, FLORIDA
MODEL	DWG NO.	35579AD
SABER FR	REV	

		JOB NO.	35579
		SCALE	1:24
1500-D-770 GAL, 750 WATER, 20 GAL FOAM, 152\"/>		DRAWN BY	RHU
		CHECKED BY	CAG
DWG NO. 35579AD		SHEET SIZE	D
		SHEET NO.	1 OF 1