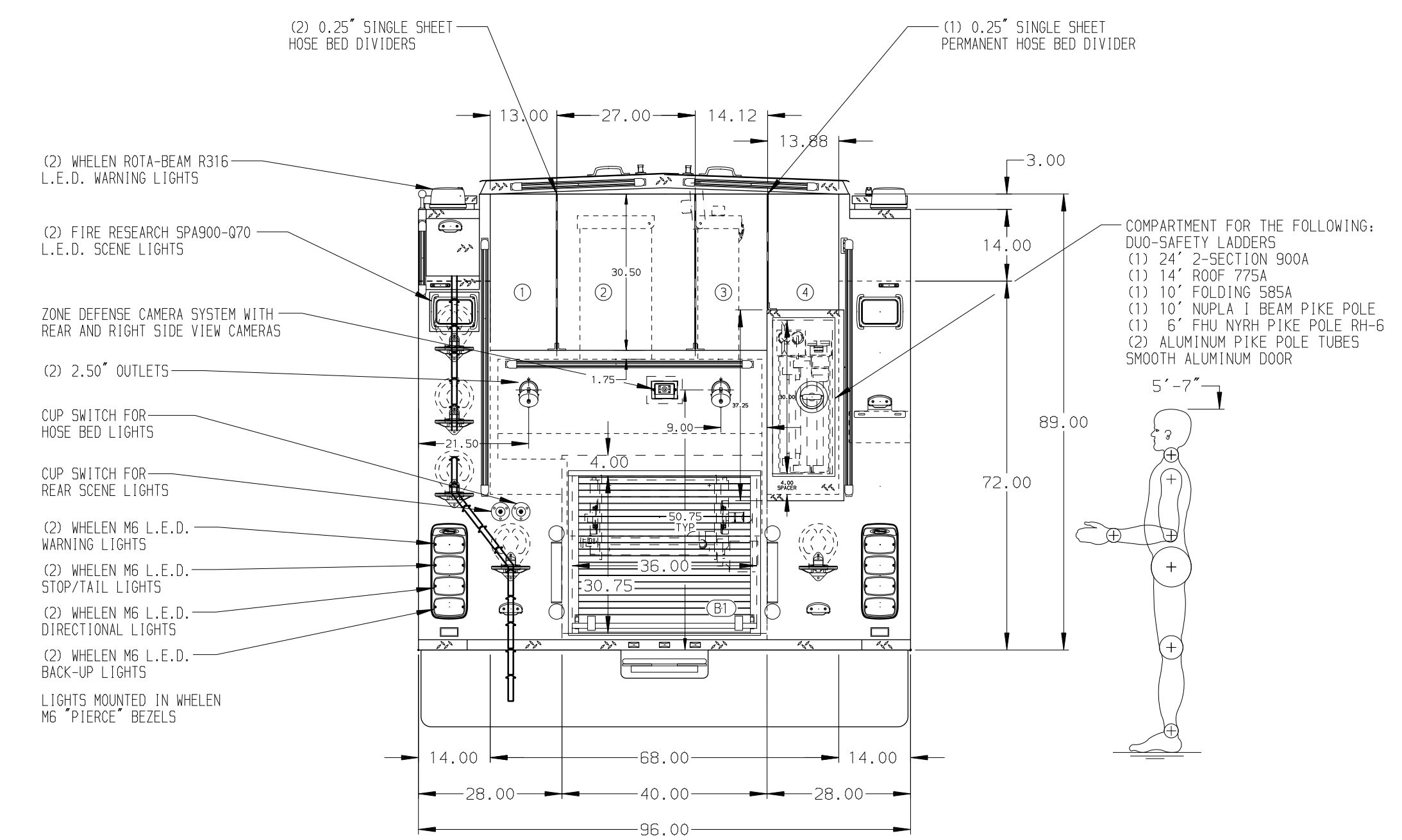
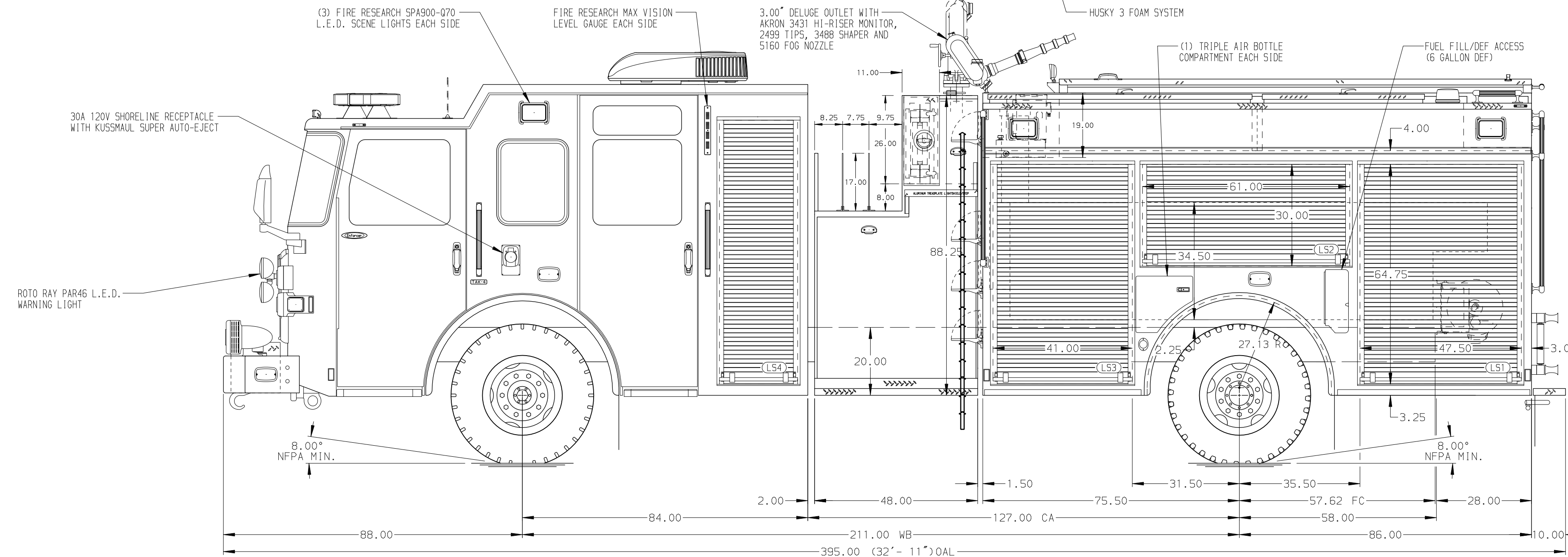


- HOSEBED CAPACITIES
- ① 400' OF 3.00" D.J. POLY HOSE
 - ② 1000' OF 5.00" D.J. POLY HOSE
 - ③ 400' OF 3.00" D.J. POLY HOSE
 - ④ 2 HOSE BUNDLES EACH WITH 150' OF 1.75" D.J. POLY HOSE



ALUMINUM

SIDE ROLL AND FRONTAL IMPACT PROTECTION

NOTE
 DIMENSIONS SHOWN ARE APPROXIMATE AND ARE SUBJECT TO MINOR DEVIATIONS AS MAY OCCUR OR BE NECESSARY IN CONSTRUCTION.
 MINOR DETAILS NOT SHOWN.

- 1. DUAL L.E.D. LIGHT STRIPS LOCATED IN HOSE BED
- 2. DRIP PAN GUARD FOR ROLL-UP DOOR LOCATED PER SHOP ORDER
- 3. FIVE FULL WIDTH/DEPTH ADJUSTABLE SHELVES LOCATED PER SHOP ORDER
- 4. TWO FLOOR MOUNTED SLIDE-OUT TRAYS LOCATED PER SHOP ORDER
- 5. ONE ALUMINUM SWING-OUT TOOLBOARD LOCATED PER SHOP ORDER
- 6. ALUMINUM PEGBOARD INSTALLED ON BACK WALL OF COMPARTMENTS AND LOCATED PER SHOP ORDER
- 7. AIR INLET/OUTLET WITH DISCONNECT FITTING AT LEFT SIDE PUMP PANEL
- 8. FOUR 120V DUPLEX RECEPTACLES LOCATED PER SHOP ORDER
- 9. HANNAY BOOSTER REEL MODEL EF4130-17-18 WITH 150' OF 0.75" BOOSTER HOSE AND 1/3 HP MOTOR IN COMPARTMENT B1
- 10. ONE FLOOR MOUNTED TWO-WAY SLIDE-OUT TRAY IN CREW CAB STORAGE COMPARTMENT
- 11. TWO SLIDE-OUT/TILT-DOWN ADJUSTABLE TRAYS IN CREW CAB STORAGE COMPARTMENT
- 12. ONE ADJUSTABLE 0.38" PLATE LOCATED PER SHOP ORDER
- 13. XANTREX PROSINE INVERTER LOCATED PER SHOP ORDER

REV	DATE	BY	CH	ENFORCER
08NOV21	JRO	CHR		MAKE
07OCT21	JRO	CHR		PIERCE
05AUG21	JRO	WKL		MODEL

		JOB NO.	35757-01-03
		SCALE	1:24
TITLE 1500-750 WATER/30 FOAM, 161" BODY, SIDE CONTROL CROSSSLAYS, DELUGE, FOAM SYSTEM, LADDER STORAGE COMPT		DRAWN BY	JRO
		CHECKED BY	WKL
FOR KILLEEN FIRE DEPARTMENT KILLEEN, TEXAS		DWG NO.	35757AD
		SHEET NO.	D
		DATE	14MAY21
		SHEET NO.	1 OF 1