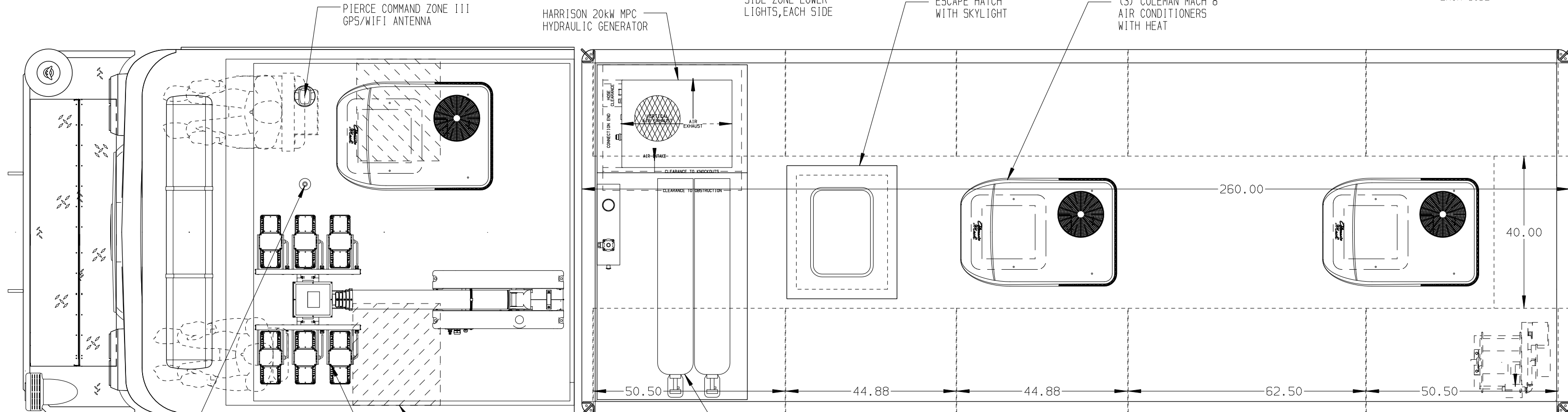
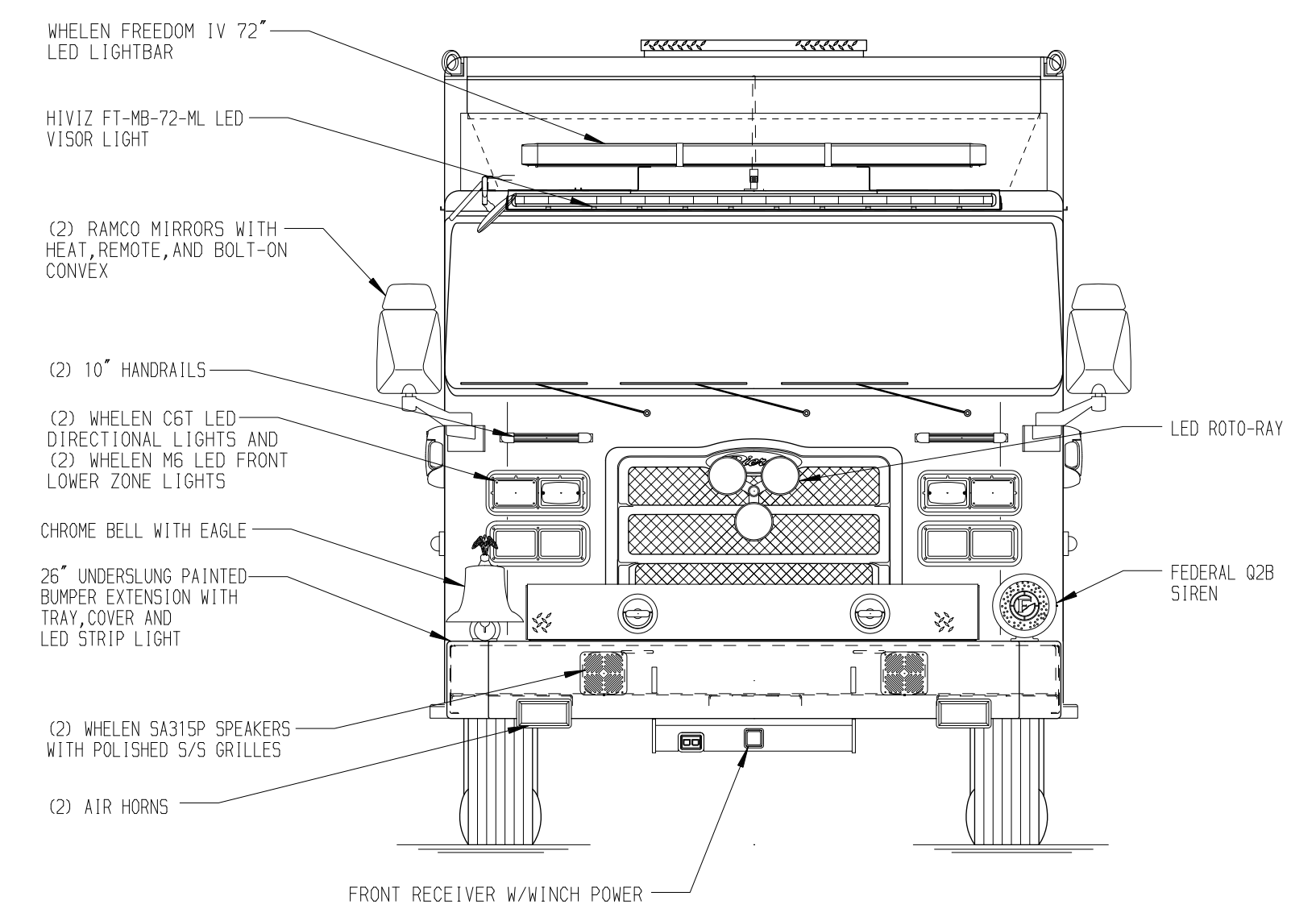
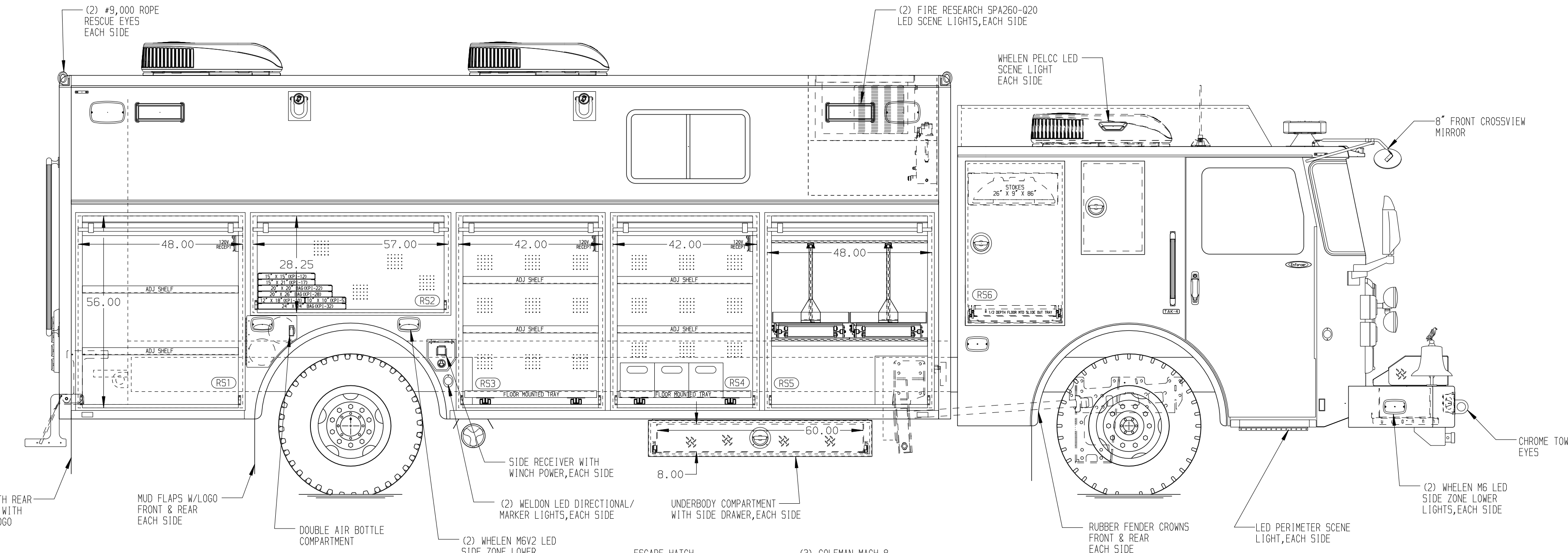


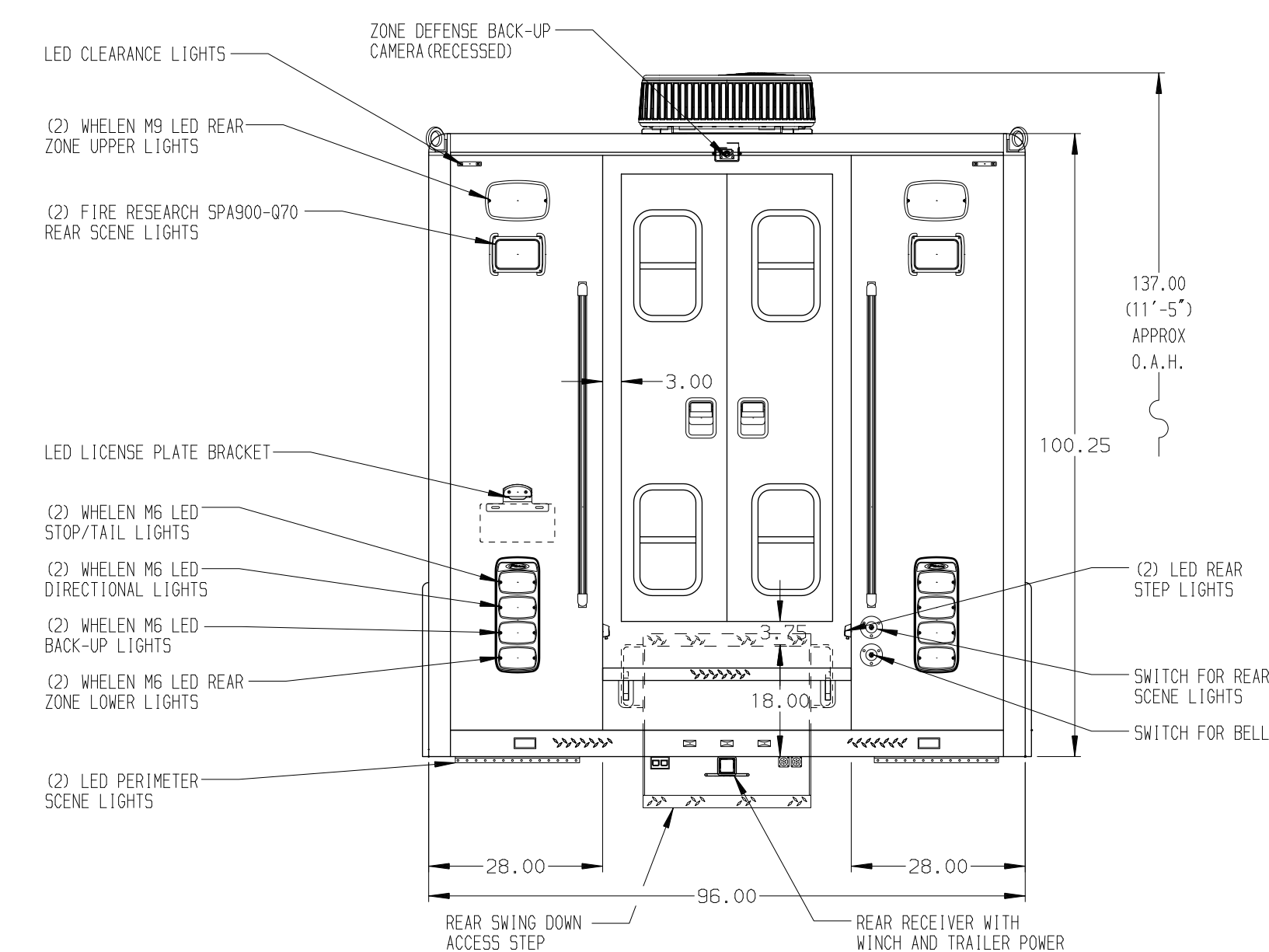
RIGHT SIDE COMPARTMENTS CONTAIN THE FOLLOWING:

- COMPARTMENT RS1 CONTAINS:
 - (2) STD DEPTH ADJ SHELVES
 - (1) 20A, 120V DUPLEX RECEPTACLE
- COMPARTMENT RS2 CONTAINS:
 - PEGBOARD ON REAR WALL OF COMPARTMENT
 - (1) RACK FOR 7 AIR BAGS
- COMPARTMENT RS3 CONTAINS:
 - (1) STD DEPTH FLOOR MOUNTED TRAY
 - (2) STD DEPTH ADJ SHELVES
 - (1) 20A, 120V DUPLEX RECEPTACLE
 - PEGBOARD ON REAR WALL OF COMPARTMENT
- COMPARTMENT RS4 CONTAINS:
 - (1) STD DEPTH FLOOR MOUNTED TRAY
 - (2) STD DEPTH ADJ SHELVES
 - (3) ALUMINUM TOOL BOXES
 - PEGBOARD ON REAR WALL OF COMPARTMENT
 - (1) 20A, 120V DUPLEX RECEPTACLE
- COMPARTMENT RS5 CONTAINS:
 - (1) CAB LIFT CONTROLLER
 - (1) HORIZONTAL FLOOR EXTENSION
 - (2) ON-SCENE SLIDE OUT TRAYS W/TOOLBOARDS
 - PEGBOARD ON RIGHT SIDE WALL OF COMPARTMENT
- COMPARTMENT RS6 CONTAINS:
 - (1) STOKES BASKET RACK
 - (1) 1/2 DEPTH FLOOR MTD SLIDE OUT TRAY



LEFT SIDE COMPARTMENTS CONTAIN THE FOLLOWING:

- COMPARTMENT LS1 CONTAINS:
 - (1) RACK FOR 3 SCBA BOTTLES
 - (1) CASCADE SYSTEM CONTROL PANEL
 - (1) BAUER 2-BOTTLE FILL ENCLOSURE
 - (1) ELECTRIC CORD REEL WITH 200' OF 10/3 YELLOW CORD
- COMPARTMENT LS2 CONTAINS:
 - (1) SWING OUT TOOLBOARD
 - PEGBOARD ON REAR WALL OF COMPARTMENT
- COMPARTMENT LS3 CONTAINS:
 - (1) STD DEPTH FLOOR MOUNTED TRAY
 - (2) STD DEPTH ADJ SHELVES
 - (1) 20A, 120V DUPLEX RECEPTACLE
 - (1) 6 GALLON DEF FLUID TANK
 - PEGBOARD ON REAR WALL OF COMPARTMENT
- COMPARTMENT LS4 CONTAINS:
 - (1) STD DEPTH FLOOR MOUNTED TRAY
 - (2) STD DEPTH ADJ SHELVES
 - (2) ALUMINUM TOOL BOXES
 - PEGBOARD ON REAR WALL OF COMPARTMENT
 - (1) 20A, 120V DUPLEX RECEPTACLE
- COMPARTMENT LS5 CONTAINS:
 - (1) CIRCUIT BREAKER PANEL
 - (1) GENERATOR METER PANEL
 - (1) NIGHTSCAN CONTROLLER
 - (1) SUB FEED BOX
 - (1) HORIZONTAL FLOOR EXTENSION
 - (2) ON-SCENE SLIDE OUT TRAYS W/TOOLBOARDS
 - PEGBOARD ON RIGHT SIDE WALL OF COMPARTMENT
- COMPARTMENT LS6 CONTAINS:
 - (1) STOKES BASKET RACK
 - (1) 1/2 DEPTH FLOOR MTD SLIDE OUT TRAY



NOTE
DIMENSIONS SHOWN ARE APPROXIMATE AND ARE SUBJECT TO MINOR DEVIATIONS AS MAY OCCUR OR BE NECESSARY IN CONSTRUCTION. MINOR DETAILS NOT SHOWN.

- NOTES:**
- AIR INLET/OUTLET WITH DISCONNECT FITTING LOCATED IN THE DRIVER'S STEP WELL
 - BATTERY CHARGE INDICATOR LOCATED ON DRIVER'S SEAT RISER
 - FLOOR IN CAB TO BE LONSEAL VINYL
 - PULL STRAPS ON ALL BODY ROLL-UP DOORS
 - S/S GUARDS ON ALL BODY ROLL-UP DOORS
 - PIERCE LED LIGHT STRIPS IN ALL BODY AND HATCH COMPARTMENTS
 - KUSSMAUL 1200 CHARGER LOCATED IN EMS CABINET

(SIDE ROLL AND FRONTAL IMPACT PROTECTION)

CLEAR DOOR WIDTH KEY				CHASSIS DATA
AMDR ROLL UP DOORS:	-2 1/4"			TITLE
CORTITE ROLL UP DOORS:	-2 1/2"			HEAVY DUTY RESCUE WALKIN
PIERCE DOUBLE LAP DOORS:	-4 1/4"	29SEP21	DHE AZU	FOR
PIERCE LIFT-UP LAP DOORS:	-1 1/2"	27JUL21	DHE AZU	KILLEEN FIRE DEPARTMENT BID #979
(EX: 60" F-F - 2 1/4" = 57 3/4" CLEAR)		17MAY21	DHE AZU	SCOTT BECKWITH
(F-F) = FRAME TO FRAME		REV	DATE	DWG NO.
			BY	EN5000
			CH	

Pierce MANUFACTURING INC.

JOB NO. 35759

SCALE 1:24 DATE

DRAWN BY DHE 06MAY21

CHECKED BY AZU 06MAY21

SHEET SIZE D SHEET NO. 1 OF 1

DWG NO. 35759AD-SH1