

RIGHT SIDE COMPARTMENTS CONTAIN THE FOLLOWING:

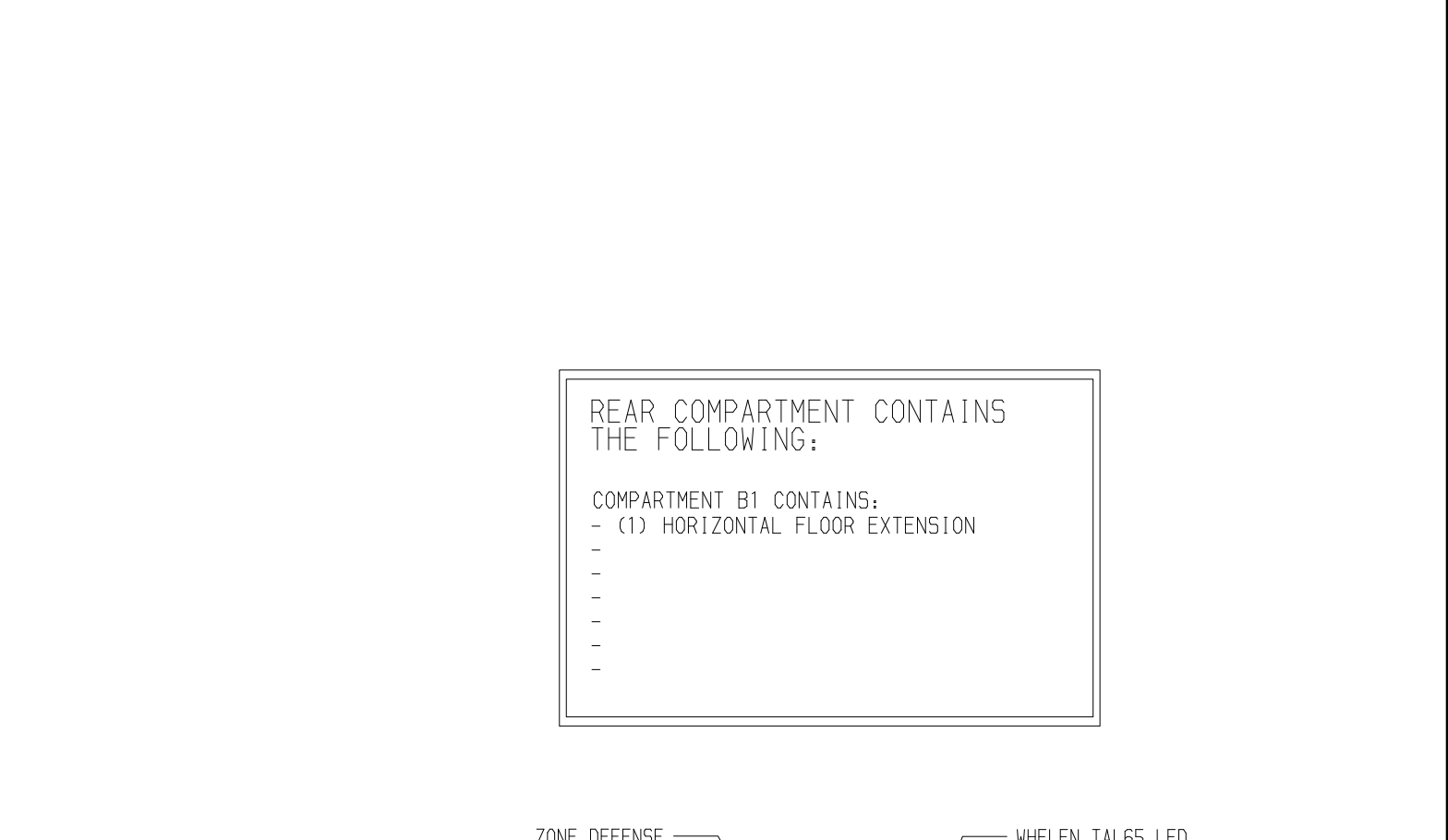
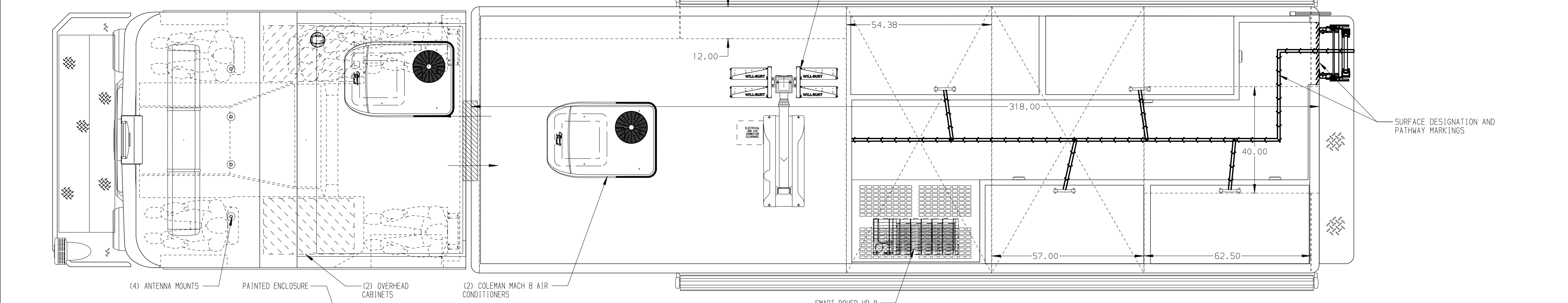
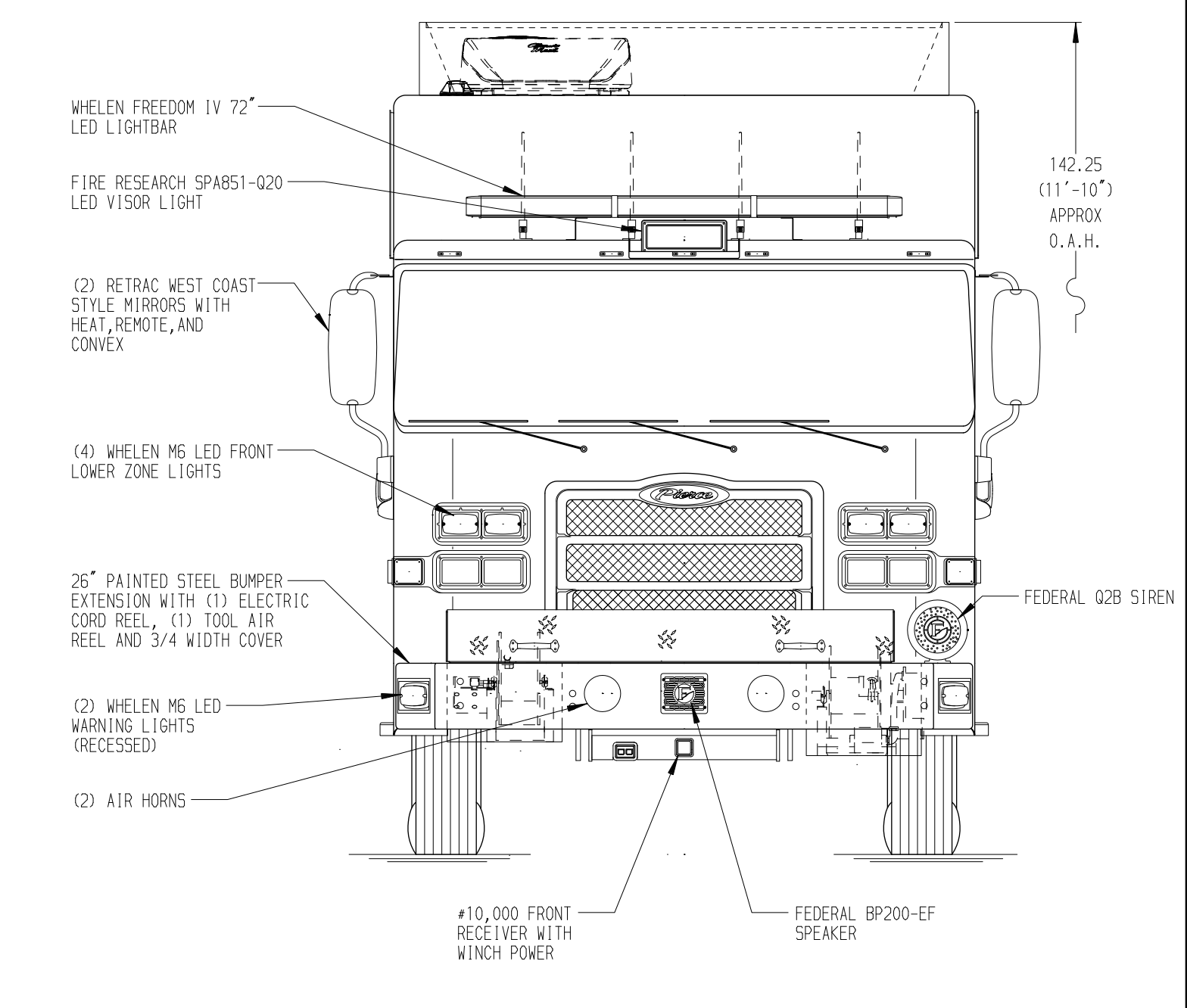
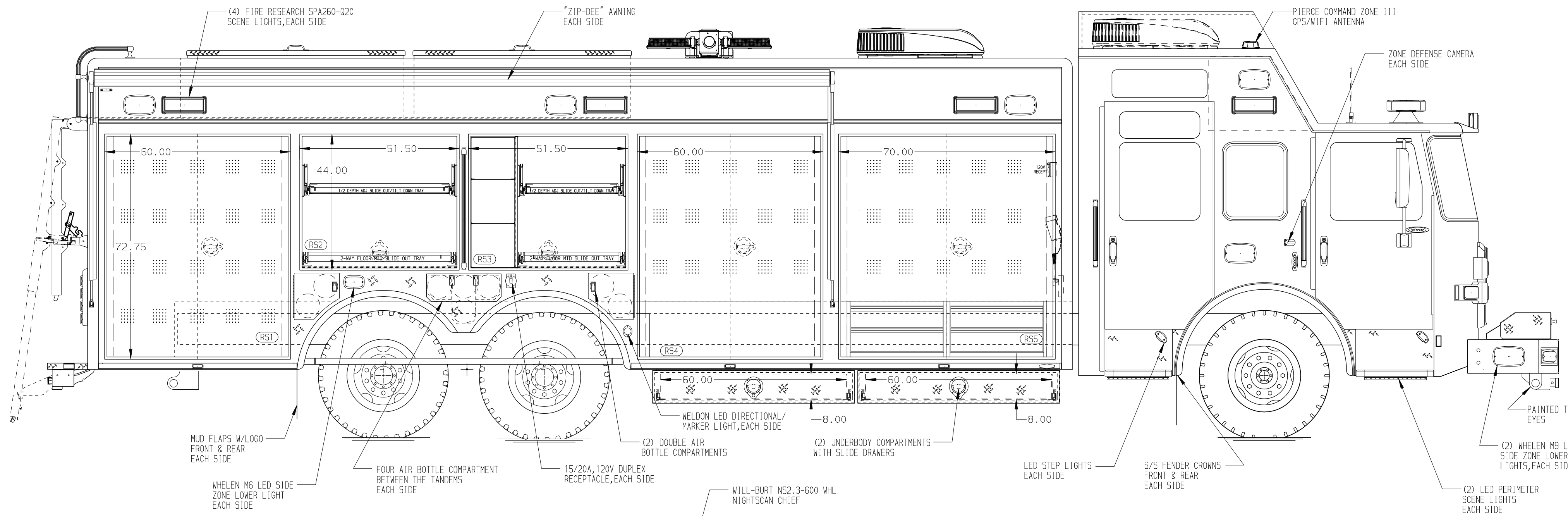
COMPARTMENT RS1 CONTAINS:
- PEGBOARD ON REAR AND SIDE WALLS

COMPARTMENT RS2 CONTAINS:
- (1) 1/2 DEPTH ADJ SLIDE OUT/TILT TRAY
- (1) 2-WAY FLOOR MOUNTED SLIDE OUT TRAY

COMPARTMENT RS3 CONTAINS:
- (1) 1/2 DEPTH ADJ SLIDE OUT/TILT TRAY
- (1) 2-WAY FLOOR MOUNTED SLIDE OUT TRAY
- (3) TRANSVERSE EQUIPMENT TROUGHS

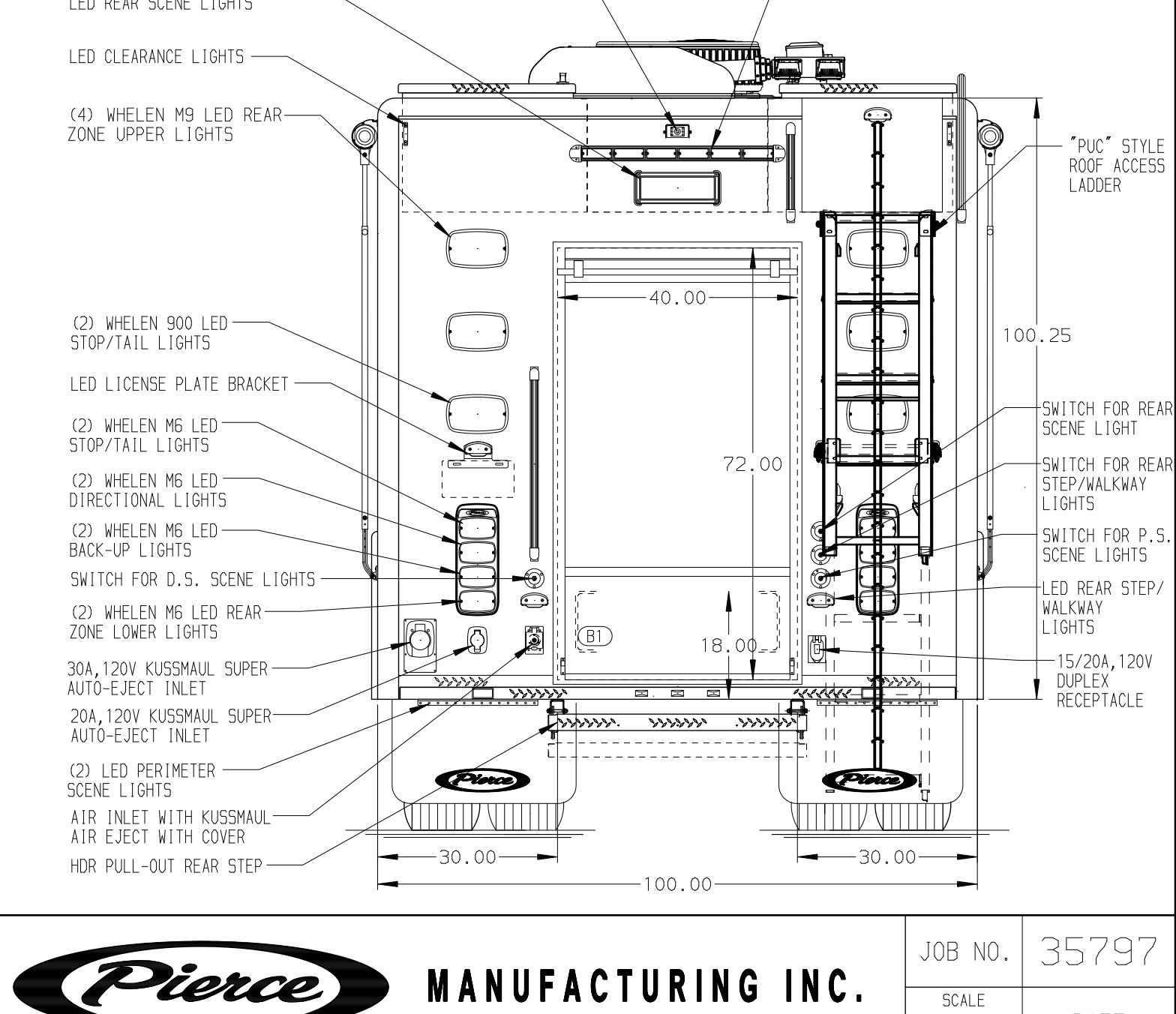
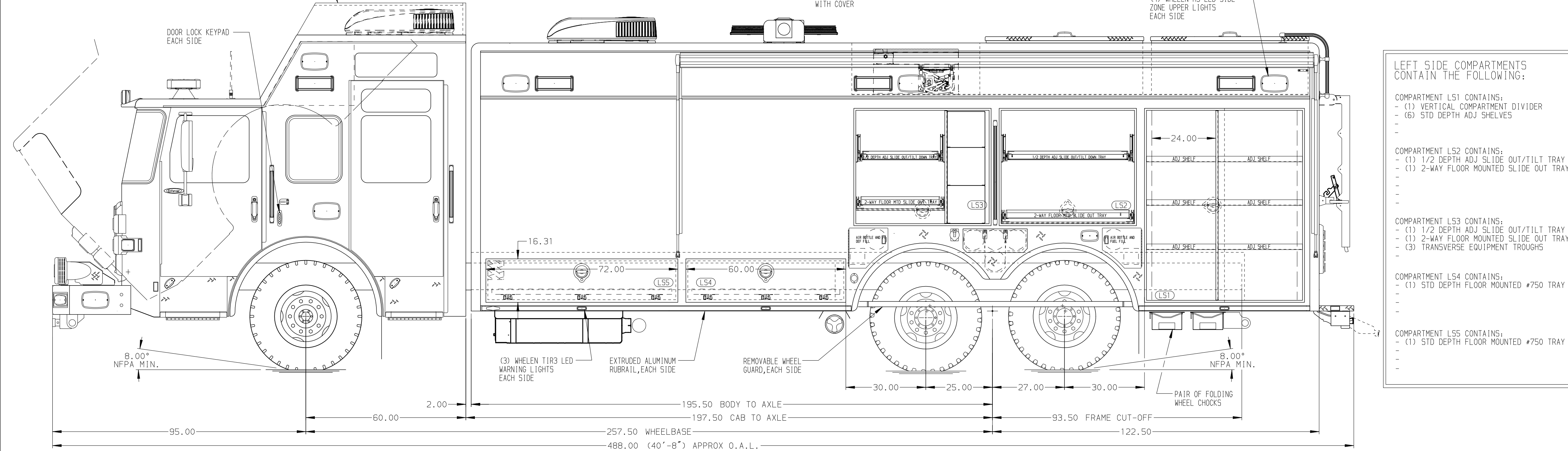
COMPARTMENT RS4 CONTAINS:
- PEGBOARD ON UPPER REAR WALL OF COMPARTMENT
- TREADPLATE ON COMPARTMENT FLOOR
- PEGBOARD ON SIDE WALLS OF COMPARTMENT

COMPARTMENT RS5 CONTAINS:
- (1) CAB LIFT CONTROLLER
- (1) NIGHT SCAN CONTROLLER
- PEGBOARD ON UPPER REAR WALL OF COMPARTMENT
- (2) 2-DRAWER C-TECH CABINETS
- PEGBOARD ON SIDE WALLS OF COMPARTMENT
- (1) 15/20A, 120V DUPLEX RECEPTACLE



REAR COMPARTMENT CONTAINS THE FOLLOWING:

COMPARTMENT B1 CONTAINS:
- (1) HORIZONTAL FLOOR EXTENSION



LEFT SIDE COMPARTMENTS CONTAIN THE FOLLOWING:

COMPARTMENT LS1 CONTAINS:
- (1) VERTICAL COMPARTMENT DIVIDER
- (6) STD DEPTH ADJ SHELVES

COMPARTMENT LS2 CONTAINS:
- (1) 1/2 DEPTH ADJ SLIDE OUT/TILT TRAY
- (1) 2-WAY FLOOR MOUNTED SLIDE OUT TRAY

COMPARTMENT LS3 CONTAINS:
- (1) 1/2 DEPTH ADJ SLIDE OUT/TILT TRAY
- (1) 2-WAY FLOOR MOUNTED SLIDE OUT TRAY
- (3) TRANSVERSE EQUIPMENT TROUGHS

COMPARTMENT LS4 CONTAINS:
- (1) STD DEPTH FLOOR MOUNTED #750 TRAY

COMPARTMENT LS5 CONTAINS:
- (1) STD DEPTH FLOOR MOUNTED #750 TRAY

NOTE
DIMENSIONS SHOWN ARE APPROXIMATE AND ARE SUBJECT TO MINOR DEVIATIONS AS MAY OCCUR OR BE NECESSARY IN CONSTRUCTION. MINOR DETAILS NOT SHOWN.

NOTES:

1. WARN #9,000 PORTABLE WINCH
2. POLISHED 5/S SCUFFPLATES ON CAB AND CREW CAB DOOR JAMBS
3. FLOOR IN CAB AND CREW CAB TO BE ALUMINUM TREADPLATE
4. BATTERY CHARGE INDICATOR LOCATED ON DRIVER'S SEAT RISER
5. ALUMINUM TREADPLATE ON REAR FENDER PANELS
6. BRUSHED 5/S SCUFFPLATES INSIDE EACH COMPARTMENT DOOR
7. PIERCE LED LIGHTS IN ALL BODY AND HATCH COMPARTMENTS

NOTE:
LAP DOORS HAVE BEEN SHOWN IN HIDDEN LINES TO CLEARLY IDENTIFY THE EQUIPMENT IN EACH COMPARTMENT. DASHED LINES ON SIDES ARE DOORS IN OPEN POSITION

FRONTAL IMPACT PROTECTION

CLEAR DOOR WIDTH KEY		23NOV21	DHE	CDK	CHASSIS DATA
AMDR ROLL UP DOORS:	-2 1/4"	010CT21	DHE	CDK	MAKE
CORTITE ROLL UP DOORS:	-2 1/2"	27SEP21	DHE	CDK	PIERCE
PIERCE DOUBLE LAP DOORS:	-4 1/4"	23SEP21	DHE	CDK	MODEL
PIERCE LIFT-UP LAP DOORS:	-1 1/2"	25JUN21	DHE	CDK	EN6024
(EX: 60" F-F - 2 1/4" = 57 3/4" CLEAR)		REV	DATE	BY	CH

		JOB NO.	35797
		SCALE	DATE
TITLE	HEAVY DUTY RESCUE WALKIN/NON-WALKIN COMBO	DRAWN BY	DHE
FOR	BROWARD COUNTY SHERIFFS OFFICE BID #780	CHECKED BY	CDK
DWG NO.	35797AD-SH1	SHEET SIZE	SHEET NO.
			1 OF 1