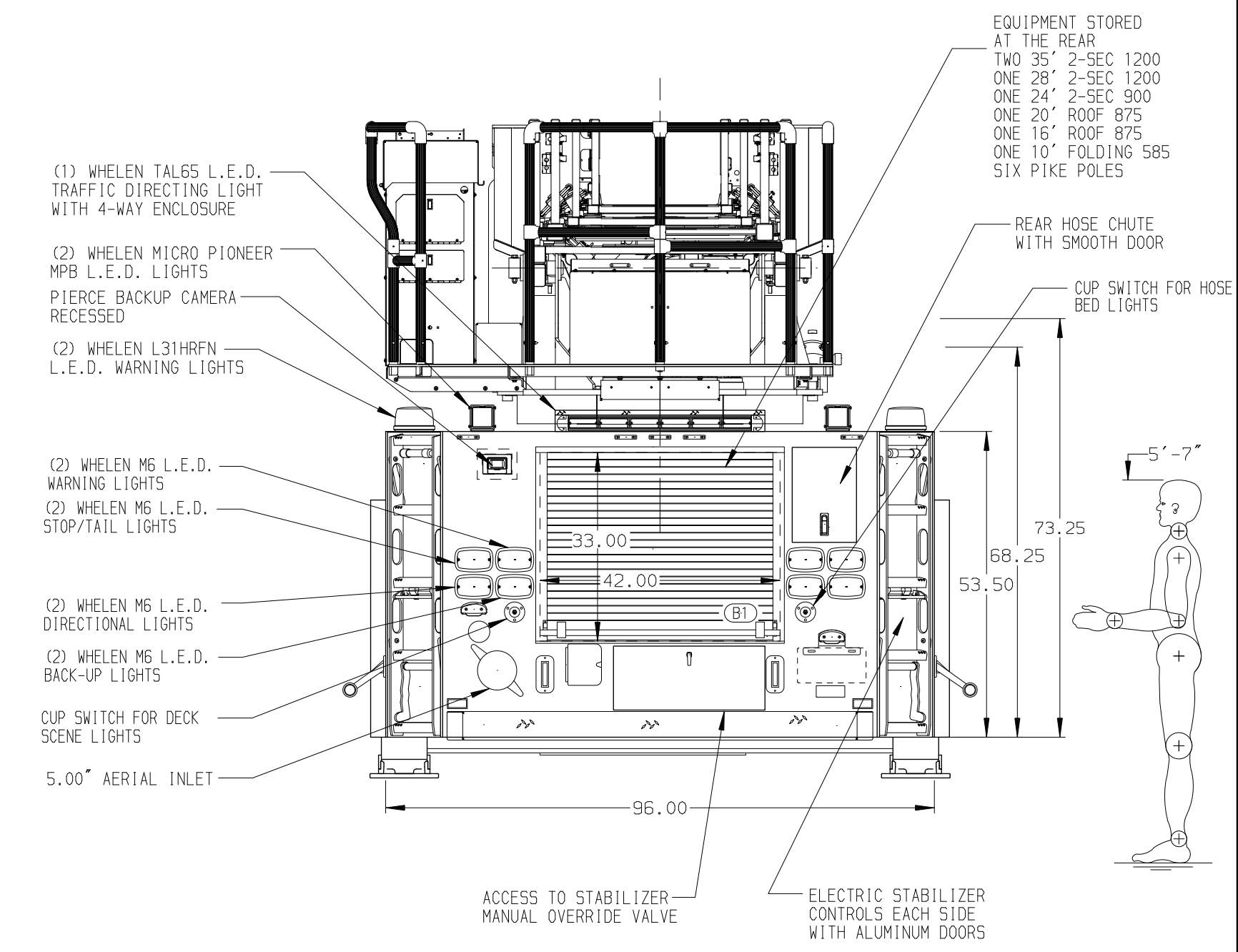
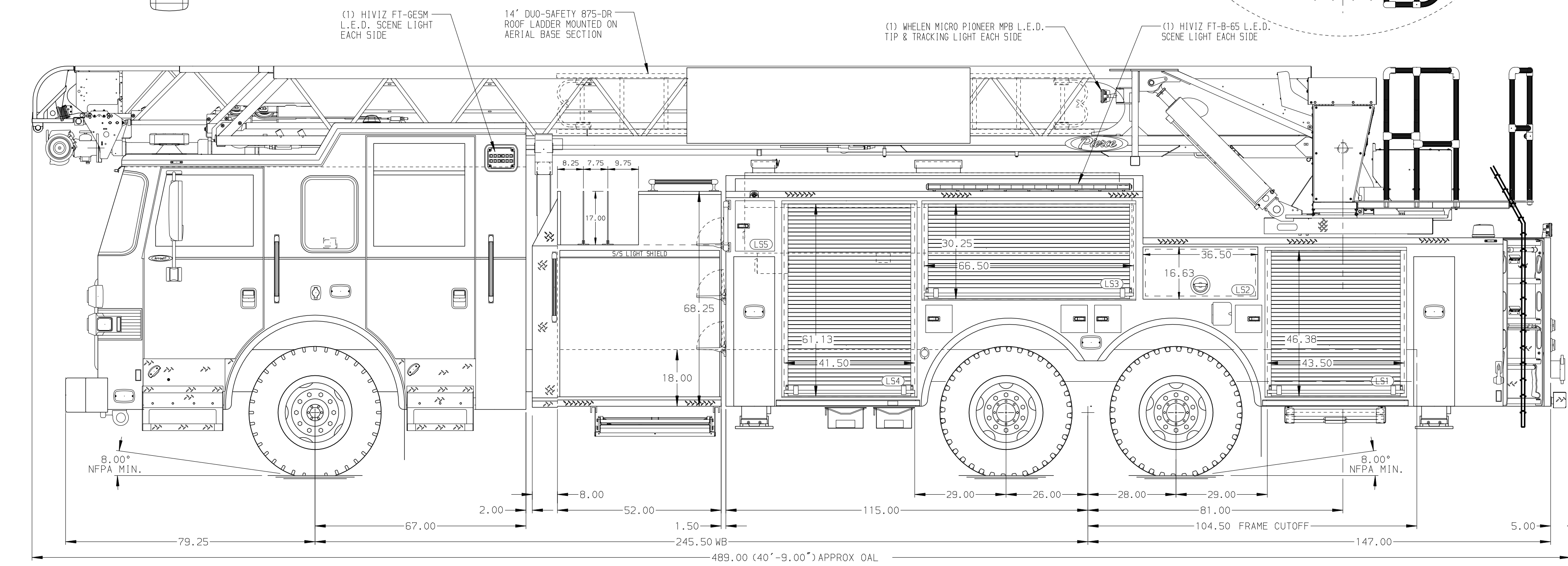


<p>BODY</p> <p>107' ASL Tandem Axle Aluminum Body</p> <p>COMPT, LEFT SIDE FRONT</p> <p>FH/FD RollUp Forward w/o Chute</p> <p>COMPT, LEFT SIDE REAR</p> <p>FH/FD RollUp and Lift-up Rearward</p> <p>COMPT, RIGHT SIDE FRONT</p> <p>Full Height RollUp Forward</p> <p>COMPT, RIGHT SIDE REAR</p> <p>Full Height RollUp and Lift-up Rearward</p>	<p>WATER TANK</p> <p>430 Gallon Notched Poly Water Tank</p> <p>Foam System</p> <p>Plumbing for Future Husky Foam System</p> <p>Foam Cell</p> <p>20 Gallon Foam Cell, Reduced Water</p>
--	---



CHASSIS Arrow XT Chassis 510 HP Paccar MX13 Engine	CAB 6710 Deep Notched Arrow XT Cab 10\"/>	
AXLE, FRONT, CUSTOM 21,500 Lb Meritor Axle	TRANSMISSION Allison 5th Gen, 4500 EVS P	PUMPHOUSE 52\"/>
AXLE, REAR 52,000 Lb Meritor Axle	CROSSLAYS, 1.50\" (2) 1.50\"/>	
SAFETY Side Roll and Frontal Impact Protection	SPEEDLAYS Speedlays Not Required GENERATOR Generator Not Required	

NOTE
DIMENSIONS SHOWN ARE APPROXIMATE AND ARE SUBJECT TO MINOR DEVIATIONS AS MAY OCCUR OR BE NECESSARY IN CONSTRUCTION. MINOR DETAILS NOT SHOWN.

- 2-WAY INTERCOM SYSTEM BETWEEN AERIAL TIP OR PLATFORM AND TURNTABLE
- SHORELINE RECEPTACLE WITH KUSSMAUL SUPER AUTO-EJECT LOCATED ON DRIVER SIDE OF THE CAB
- AIR INLET WITH DISCONNECT COUPLING IN THE DRIVER SIDE STEPWELL
- BATTERY CHARGER LOCATED IN CAB PER SHOP ORDER
- BATTERY CHARGE INDICATOR LOCATED NEAR DRIVER SEAT RISER WITH BRACKET
- FIVE ADJUSTABLE SHELVES IN COMPARTMENTS PER SHOP ORDER
- FOUR FLOOR MOUNTED SLIDE-OUT TRAYS IN COMPARTMENTS PER SHOP ORDER
- 1.00\"/>

		JOB NO.	35933
<p>CHASSIS DATA</p> <p>22SEP21 LWL THS MAKE</p> <p>24JUN21 LWL THS PIERCE</p> <p>18JUN21 LWL ZCH MODEL</p> <p>REV DATE BY CH ARROW XT</p>		SCALE	1:24
<p>TITLE</p> <p>100' HSL AERIAL LADDER AND BODY ASSEMBLY</p> <p>FOR</p> <p>PIERCE FIELD UNIT</p> <p>APPLETON, WISCONSIN</p> <p>DWG NO.</p> <p>35933AD</p>		DATE	26MAY21
		CHECKED BY	ZCH
		SHEET SIZE	D
		SHEET NO.	1 OF 1