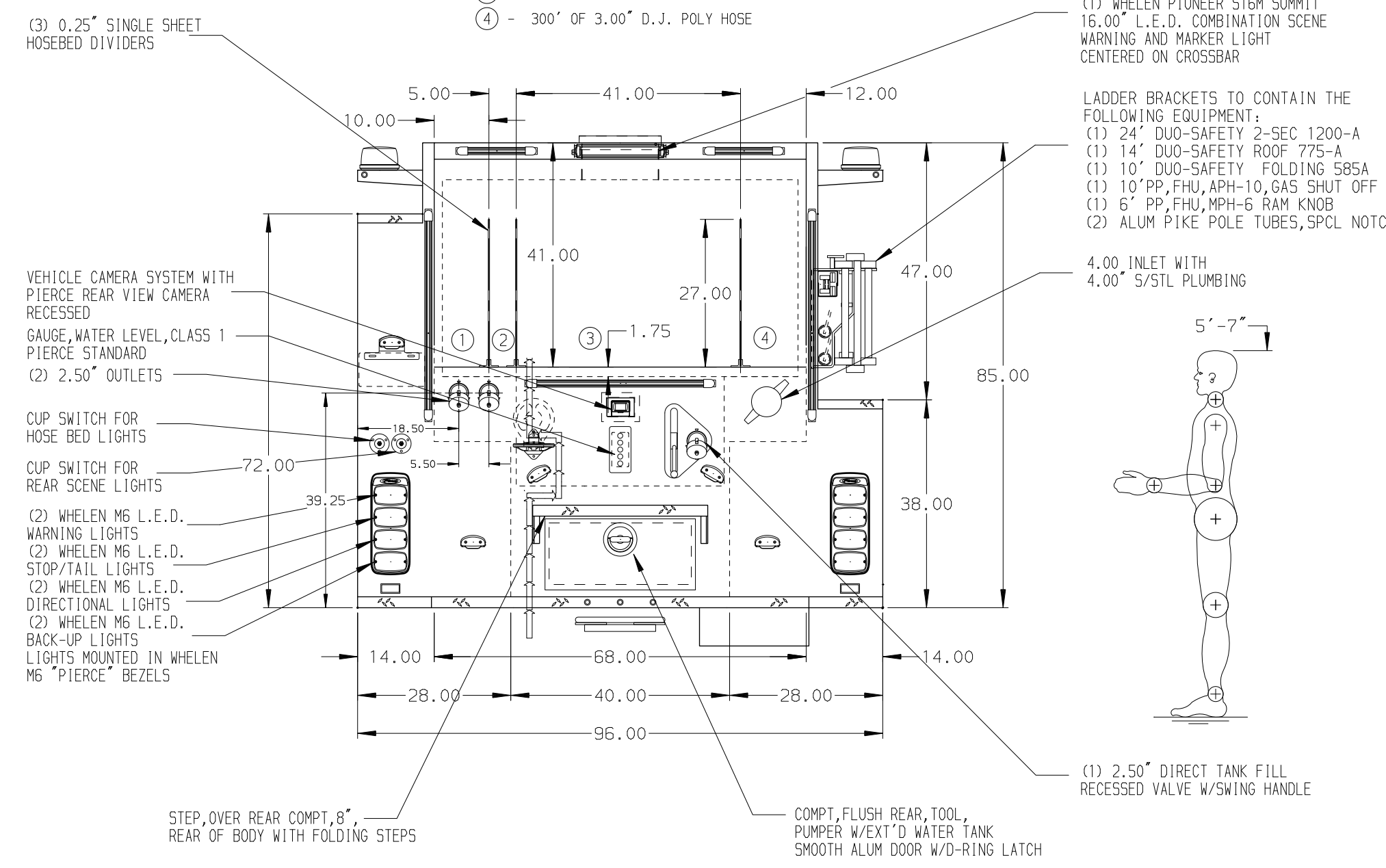
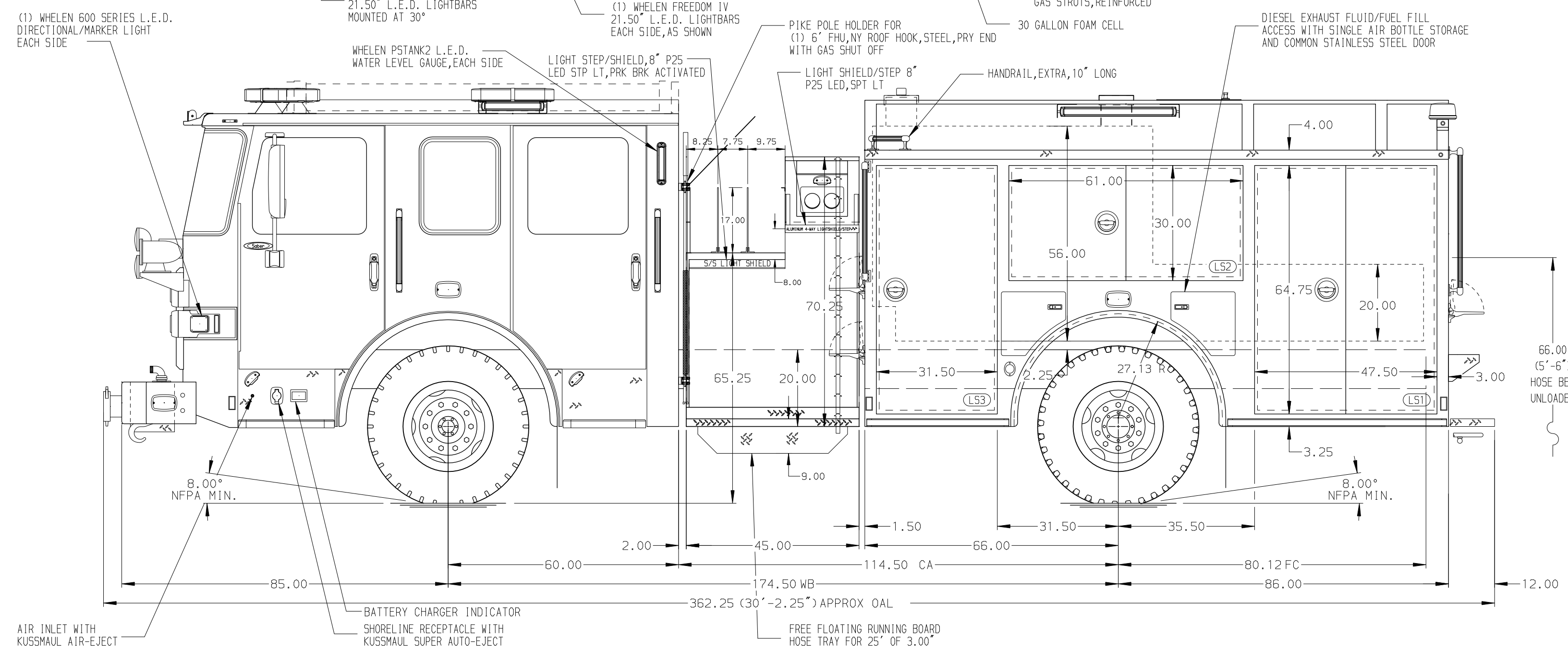


TAILBOARD HOSE TRAY WITH CAPACITY FOR 20' OF 3.00\"/>

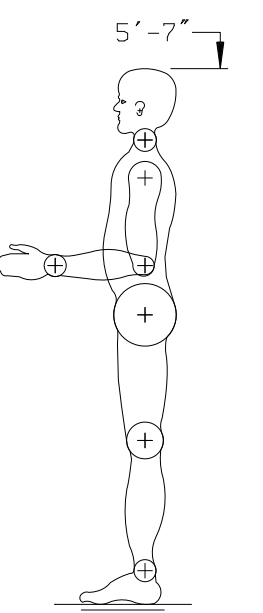
SURFACE DESIGNATION AND PATHWAY MARKINGS

TAILBOARD, 12\"/>



- HOSEBED CAPACITIES
- ① - 300' OF 2.50\"/>
 - ② - 200' OF 1.75\"/>
 - ③ - 1000' OF 5.00\"/>
 - ④ - 300' OF 3.00\"/>

- LADDER BRACKETS TO CONTAIN THE FOLLOWING EQUIPMENT:
- (1) 24\"/>
 - (1) 14\"/>
 - (1) 10\"/>
 - (1) 10\"/>
 - (1) 6\"/>
 - (2) ALUM PIKE POLE TUBES, SPCL NOTCH



ALUMINUM BODY

SIDE ROLL AND FRONTAL IMPACT PROTECTION

NOTE
DIMENSIONS SHOWN ARE APPROXIMATE AND ARE SUBJECT TO MINOR DEVIATIONS AS MAY OCCUR OR BE NECESSARY IN CONSTRUCTION. MINOR DETAILS NOT SHOWN.

REV	DATE	BY	CH	SABER FR
28JUL21	JAF	AJA		CHASSIS DATA
06JUL21	JAF	AJA		MAKE
23JUN21	JLA	AJA		PIERCE
16APR21	CDU	PHA		MODEL

		JOB NO.	36092
		SCALE	DATE
TITLE	1500-D-1030P, 1000G WATER W/30G FOAM, 152\"/>		
FOR	WHITE STONE VOLUNTEER FIRE DEPARTMENT WHITE STONE, VIRGINIA	DRAWN BY	JJB
		CHECKED BY	CDU
DWG NO.	36092AD	SHEET SIZE	SHEET NO.
		D	1 OF 1