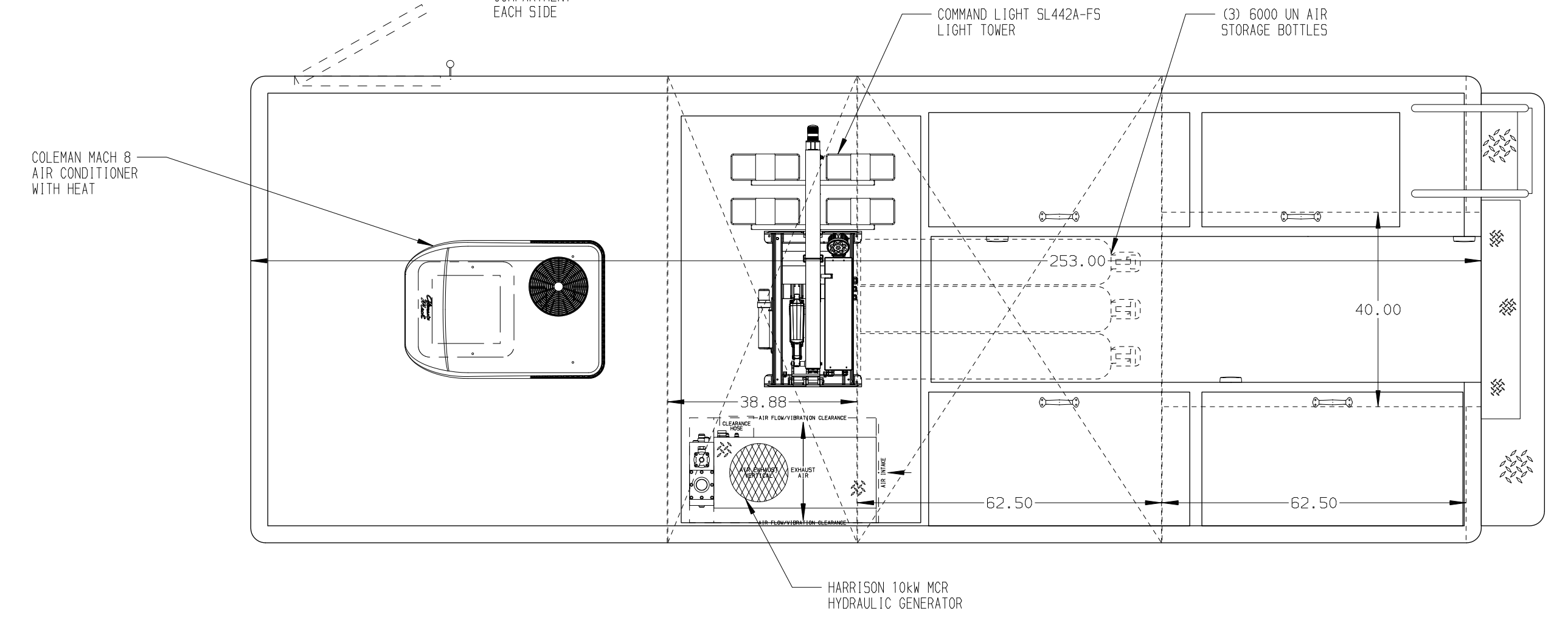
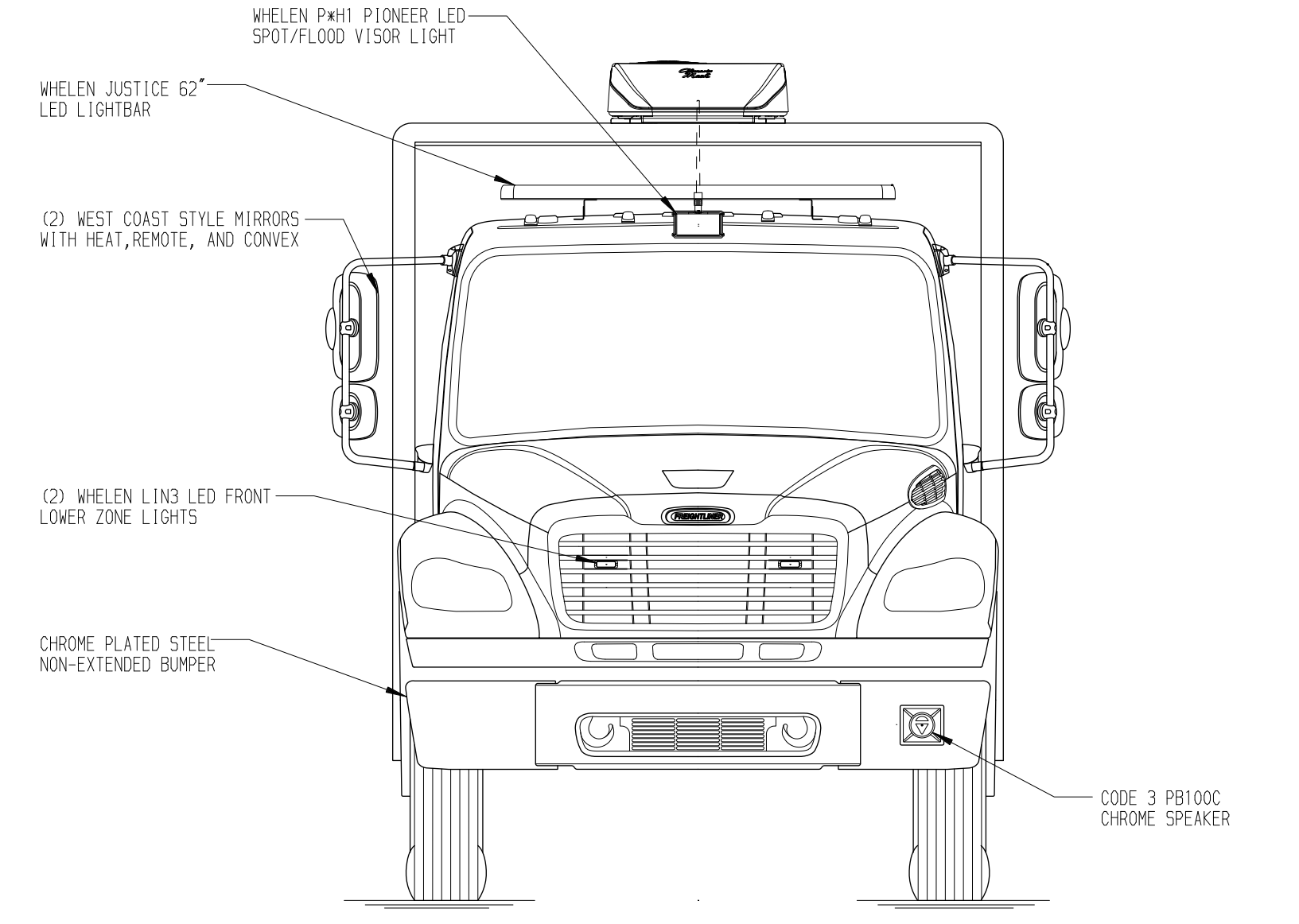
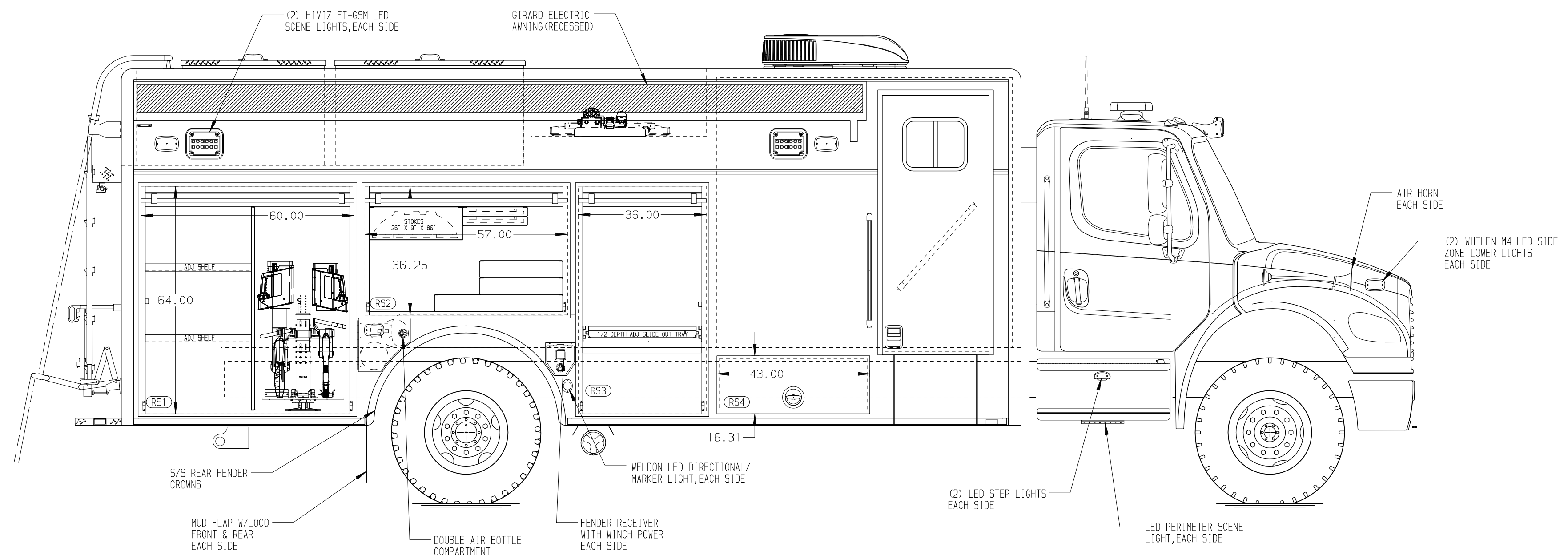
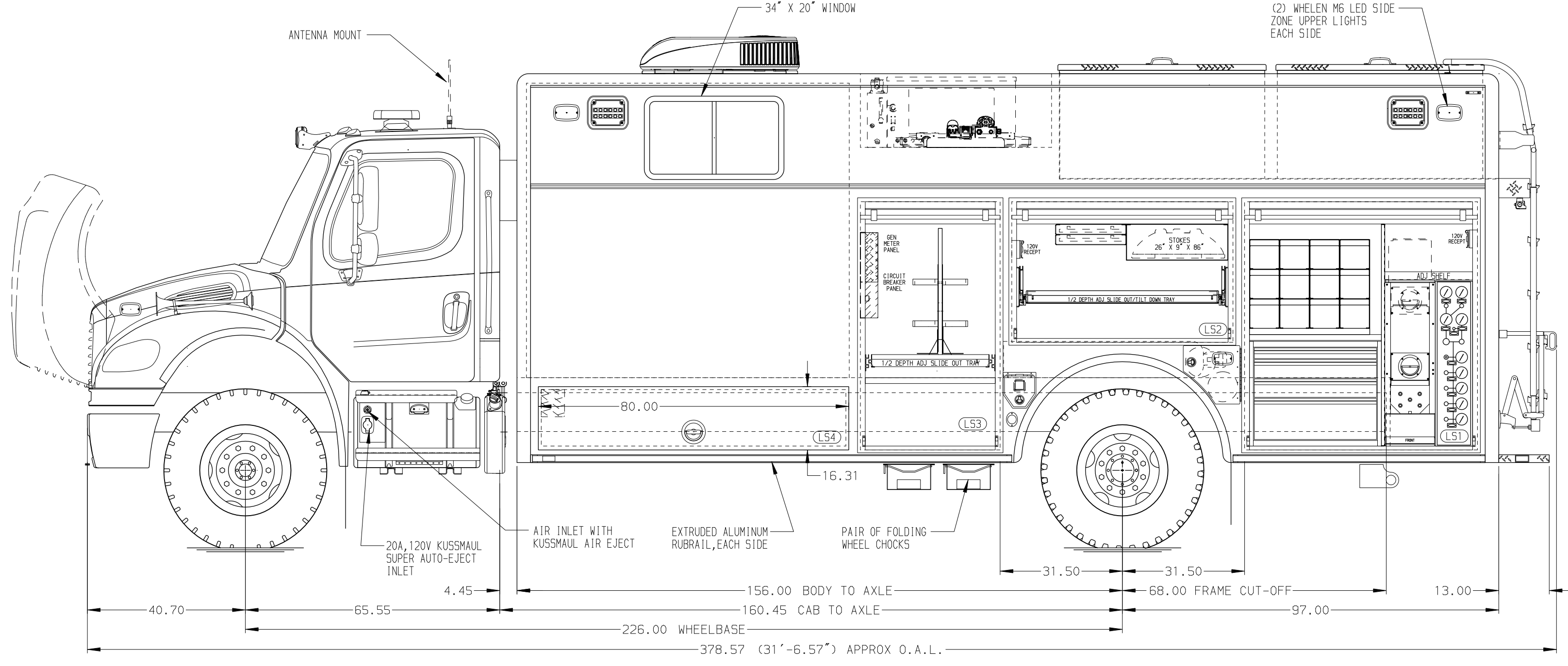


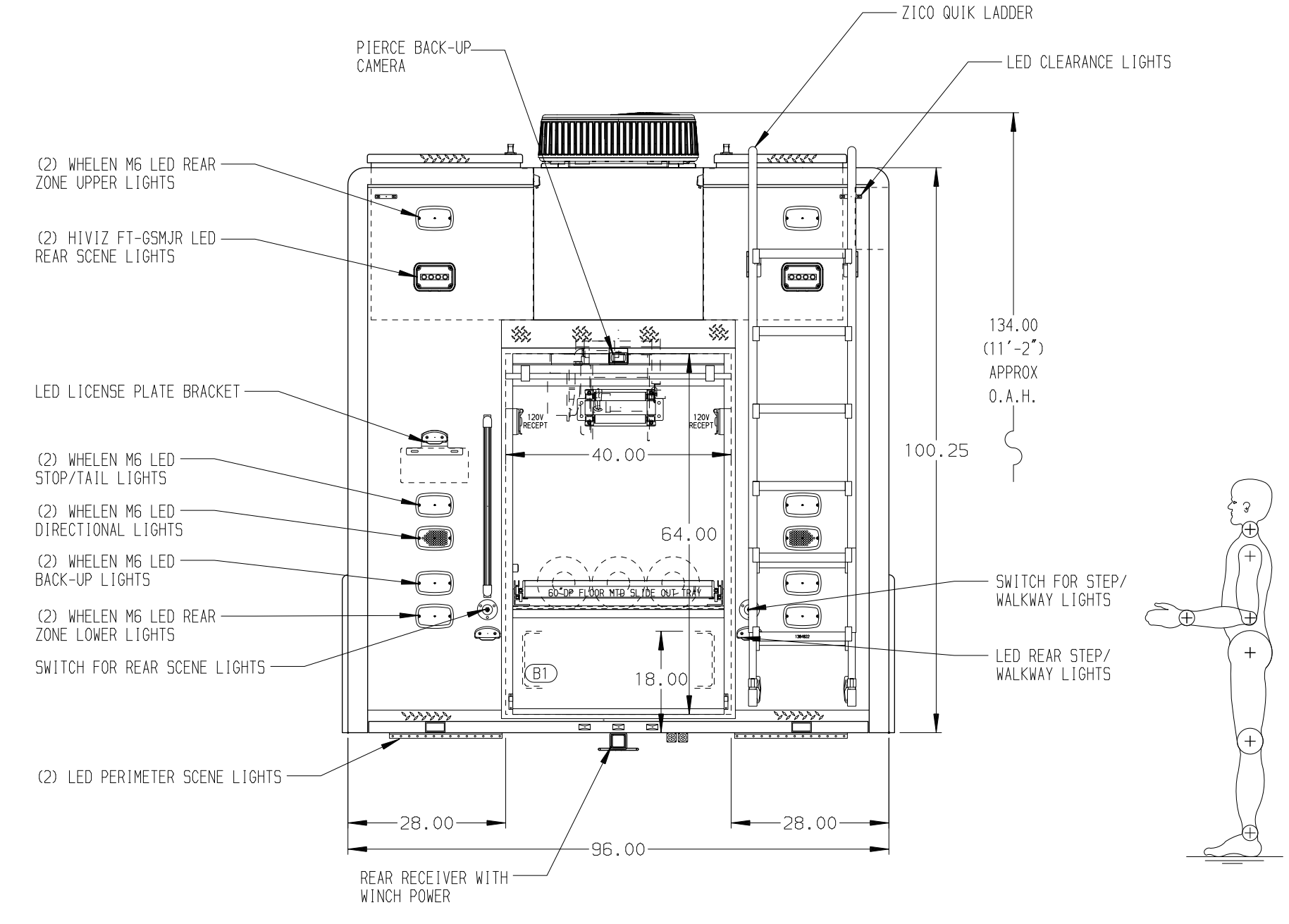
- RIGHT SIDE COMPARTMENTS CONTAIN THE FOLLOWING:**
- COMPARTMENT R51 CONTAINS:
    - (2) STD DEPTH ADJ SHELVES
    - (1) VERTICAL COMPARTMENT DIVIDER
    - (1) 20A, 120V 6-PLACE RECEPTACLE
    - (1) ZICO 3-PLACE TURNABLE TOOL HOLDER
  - COMPARTMENT R52 CONTAINS:
    - (1) RACK FOR STOKES BASKET
    - (1) RACK FOR 2 BACKBOARDS
    - (1) RACK FOR 3 AIR BAGS
  - COMPARTMENT R53 CONTAINS:
    - (1) HORIZONTAL FLOOR EXTENSION
    - (1) 1/2 DEPTH ADJ SLIDE OUT TRAY
    - (1) 20A, 120V 6-PLACE RECEPTACLE
  - COMPARTMENT R54 CONTAINS:
    - 
    - 
    -



- REAR COMPARTMENT CONTAINS THE FOLLOWING:**
- COMPARTMENT B1 CONTAINS:
    - (1) HORIZONTAL FLOOR EXTENSION
    - (1) 60\"/>



- LEFT SIDE COMPARTMENTS CONTAIN THE FOLLOWING:**
- COMPARTMENT L51 CONTAINS:
    - (1) RACK FOR 12 SCBA BOTTLES
    - (1) VERTICAL COMPARTMENT DIVIDER
    - (1) STD DEPTH ADJ SHELF
    - (1) 15/20A, 120V DUPLEX RECEPTACLE
    - (1) CASCADE SYSTEM CONTROL PANEL
    - (1) \"/>
  - COMPARTMENT L52 CONTAINS:
    - (1) 1/2 DEPTH ADJ SLIDE OUT/TILT TRAY
    - (1) RACK FOR STOKES BASKET
    - (1) RACK FOR 2 BACKBOARDS
    - (1) 15/20A, 120V DUPLEX RECEPTACLE
  - COMPARTMENT L53 CONTAINS:
    - (1) HORIZONTAL FLOOR EXTENSION
    - (1) 1/2 DEPTH ADJ SLIDE OUT TRAY WITH TOOLBOARD
    - (1) CIRCUIT BREAKER PANEL
    - (1) GENERATOR METER PANEL
    - (1) COMMAND LIGHT CONTROLLER
    - (1) 20A, 120V 6-PLACE RECEPTACLE
    - (5) SCBA BRACKETS
  - COMPARTMENT L54 CONTAINS:
    - (1) KUSSMAUL SD-150 CHARGER



**NOTE**  
DIMENSIONS SHOWN ARE APPROXIMATE AND ARE SUBJECT TO MINOR DEVIATIONS AS MAY OCCUR OR BE NECESSARY IN CONSTRUCTION. MINOR DETAILS NOT SHOWN.

- NOTES:**
- FIRECOM 51000 7-POSITION INTERCOM SYSTEM
  - BATTERY CHARGE INDICATOR LOCATED ON DRIVER'S SEAT RISER
  - PIERCE LED STRIP LIGHTS IN ALL BODY AND HATCH COMPARTMENTS

REV	DATE	BY	CH	CHASSIS DATA
23NOV21	DHE	CDK		TITLE
16NOV21	DHE	DTS		MAKE
07SEP21	DHE	DTS		FREIGHTLINER
18JUN21	DHE	CDK		MODEL
				M2-106

		JOB NO.	36163
		SCALE	DATE
TITLE	HEAVY DUTY RESCUE WALKIN/NON-WALKIN COMBO	DRAWN BY	DHE
FOR	CITY OF ANNANDALE BID #949	CHECKED BY	CDK
DWG NO.	36163AD-SH1	SHEET SIZE	SHEET NO.
		D	1 OF 1