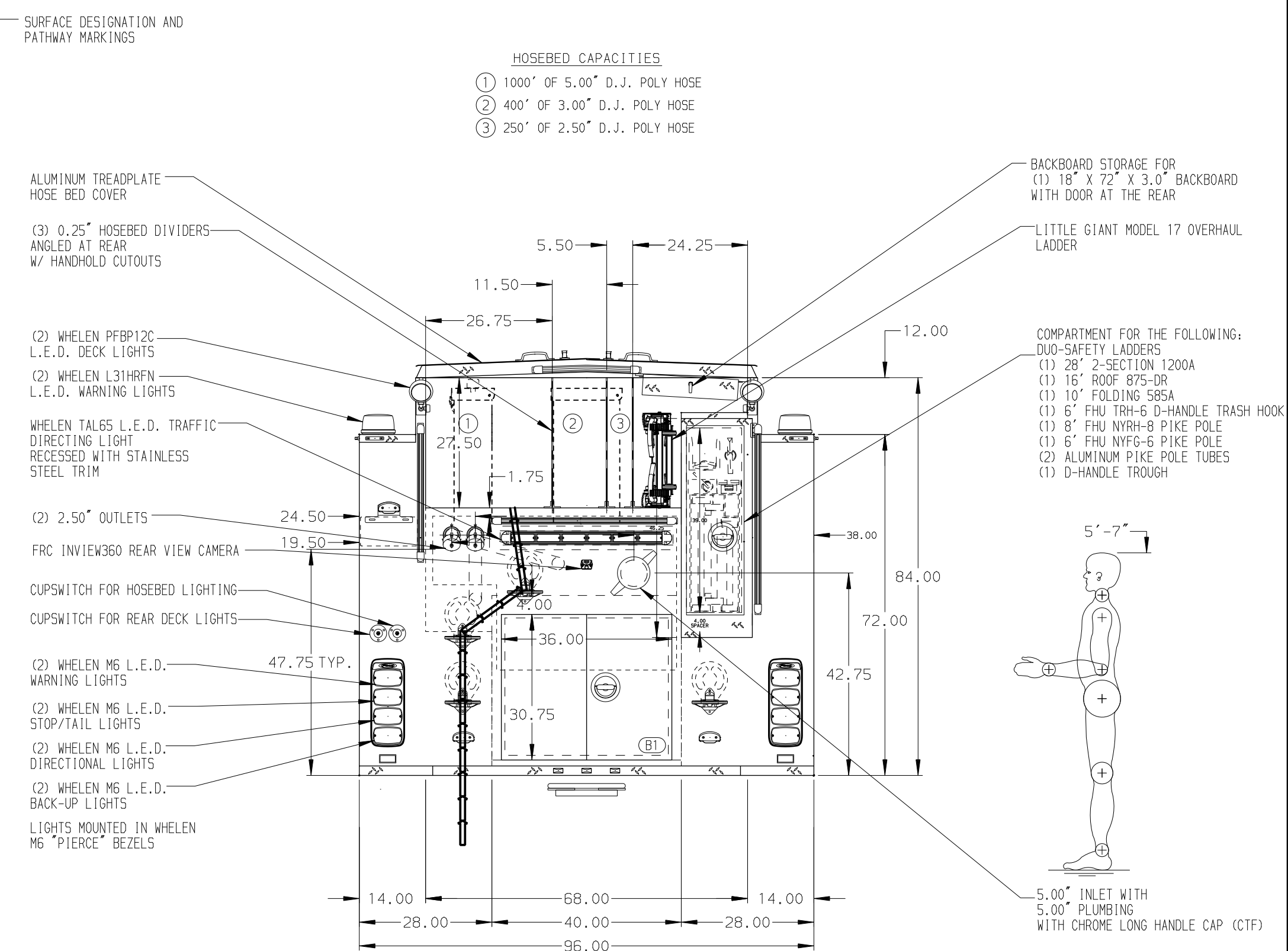
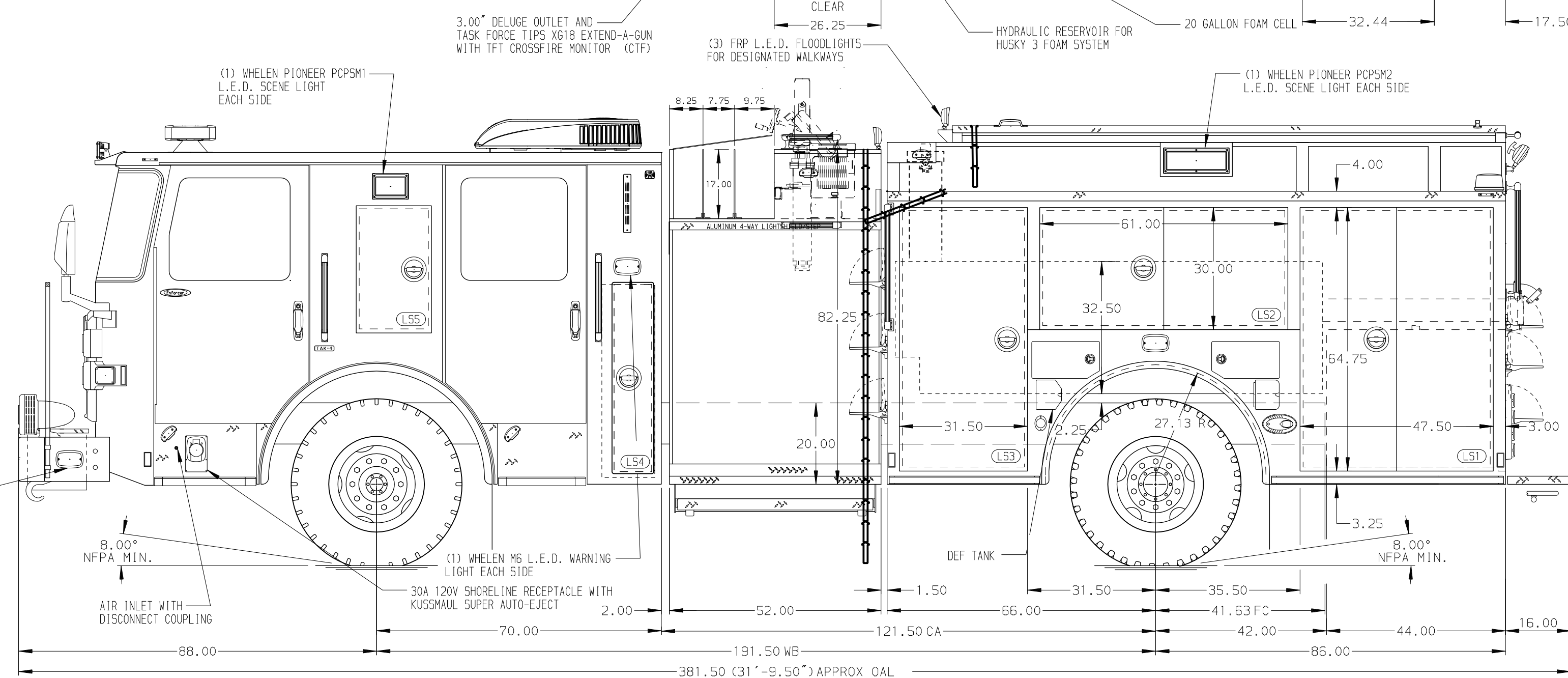


- HOSEBED CAPACITIES**
- ① 1000' OF 5.00" D.J. POLY HOSE
 - ② 400' OF 3.00" D.J. POLY HOSE
 - ③ 250' OF 2.50" D.J. POLY HOSE



GALVANNEAL BODY

SIDE ROLL AND FRONTAL IMPACT PROTECTION

NOTE
 DIMENSIONS SHOWN ARE APPROXIMATE AND ARE SUBJECT TO MINOR DEVIATIONS AS MAY OCCUR OR BE NECESSARY IN CONSTRUCTION. MINOR DETAILS NOT SHOWN.

- 1. BATTERY CHARGER LOCATED IN CAB
- 2. DUAL L.E.D. LIGHT STRIPS LOCATED IN HOSE BED
- 3. FULL WIDTH/DEPTH ADJUSTABLE SHELVES TWO IN LS3, RS1, RS3, AND ONE IN LS2
- 4. ONE FLOOR MOUNTED SLIDE-OUT TRAY WITH SIDE SLIDES IN B1
- 5. WHEEL CHOCKS AND MOUNTING BRACKETS (CTF)
- 6. TWO SLIDE-OUT ALUMINUM TOOLBOARDS WITH PEGBOARD IN LS1

REV	DATE	BY	CH	ENFORCER
25OCT21	LST	CHR		MAKE
01OCT21	LST	CHR		PIERCE
13MAY21	LST	WKL		MODEL

		JOB NO.	36206
		SCALE	DATE
TITLE	2000-D-520P, 500 WATER, 20 FOAM, 152" PUMPER BODY (3)XLAYS, DELUGE, REAR INLET, COLEMAN MACH 8 A/C	DRAWN BY	LST
FOR	CARROLTON FIRE RESCUE CARROLTON, TEXAS	CHECKED BY	WLK
DWG NO.	36206AD	SHEET SIZE	SHEET NO.
		D	1 OF 1