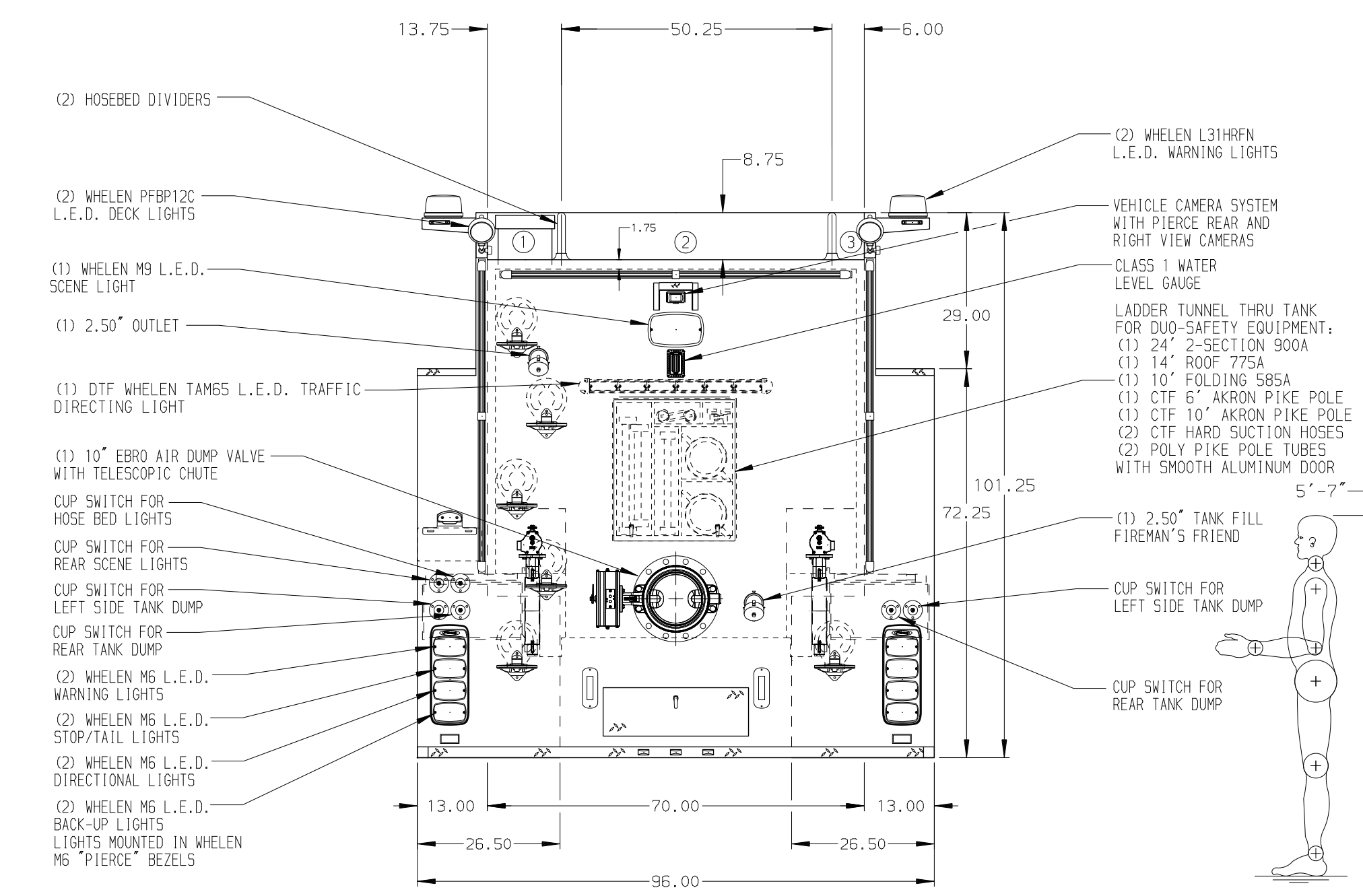


- HOSEBED CAPACITIES
- ① 200' OF 1.50" D.J. POLY HOSE
 - ② 1500' OF 2.50" D.J. POLY HOSE
 - ③ 200' OF 1.50" D.J. POLY HOSE



ALUMINUM BODY

SIDE ROLL AND FRONTAL IMPACT PROTECTION

NOTE
DIMENSIONS SHOWN ARE APPROXIMATE AND ARE SUBJECT TO MINOR DEVIATIONS AS MAY OCCUR OR BE NECESSARY IN CONSTRUCTION. MINOR DETAILS NOT SHOWN.

- 1. DEF TANK MOUNTED UNDER CAB ON THE DRIVER'S SIDE
- 2. BATTERY CHARGER/COMPRESSOR LOCATED IN COMPARTMENT LS4
- 3. ONE FLOOR MOUNTED SLIDE-OUT TRAY IN COMPARTMENT LS1,RS1
- 4. TOOL DRAWER CABINET LOCATED IN COMPARTMENT LS4
- 5. SLIDE-OUT TOOLBOARD WITH PAC TRAC MOUNTING TRACKS IN COMPARTMENT LS2,LS3
- 6. HOSE STORAGE RACK WITH ADJUSTABLE DIVIDERS FOR ROLLED HOSE IN COMPARTMENT LS1
- 7. TWO ADDITIONAL POLY TRAYS SHIPPED LOOSE

REV	DATE	BY	CH	ENFORCER
08NOV21	JWO	CZA		CHASSIS DATA
20OCT21	JWO	PJP		MAKE
15SEP21	JWO	PJP		PIERCE
09SEP21	JWO	PJP		MODEL

		JOB NO.	36226
		SCALE	DATE
TITLE	1500-D-2670P, 2650G WATER, 20G FOAM, 211" TANKER BODY (3) SPEEDLAYS, DELUGE, CAFS 140, HUSKY 3, LDR TUNNEL	DRAWN BY	JWO
FOR	MUNISING TOWNSHIP FIRE DEPARTMENT MUNISING, MICHIGAN	CHECKED BY	CZA
DWG NO.	36226AD	SHEET SIZE	SHEET NO.
		D	1 OF 1