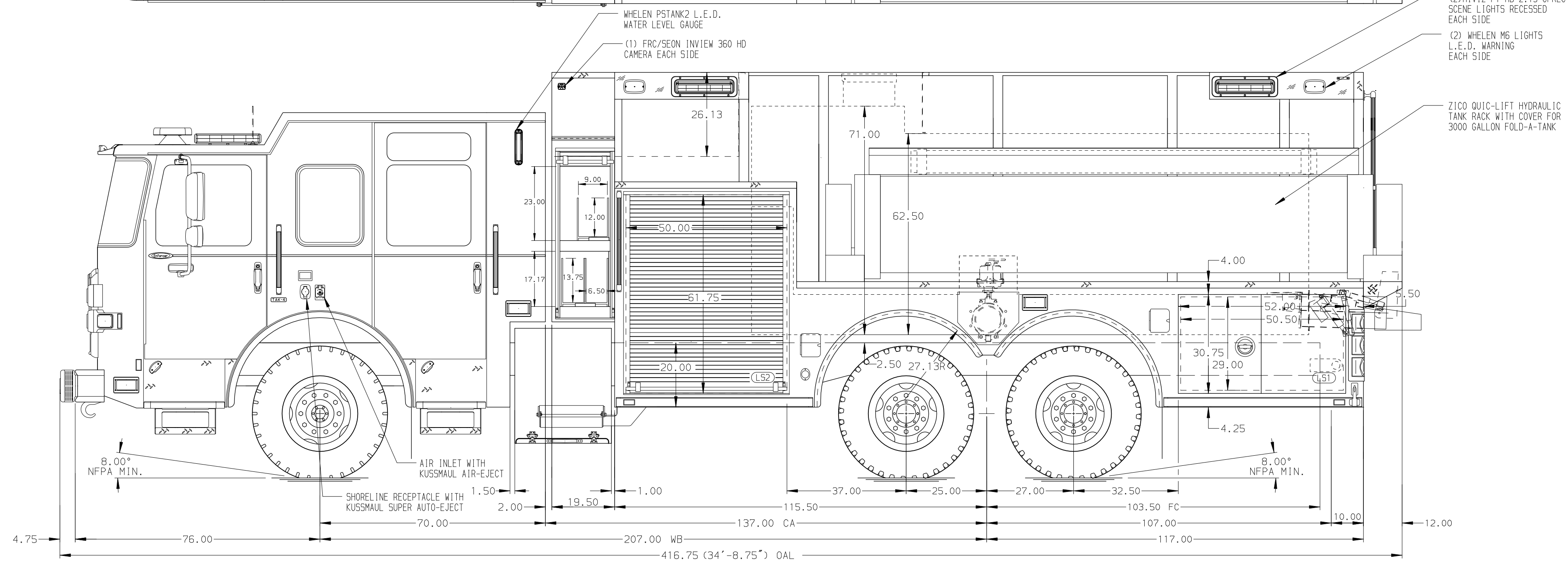


HOSEBED CAPACITIES

① 1000' OF 5.00" LDH HOSE

② 300' OF 3.00" D.J. POLY HOSE



ALUMINUM BODY

NOTE

DIMENSIONS SHOWN ARE APPROXIMATE AND ARE SUBJECT TO MINOR DEVIATIONS AS MAY OCCUR OR BE NECESSARY IN CONSTRUCTION. MINOR DETAILS NOT SHOWN.

- DUAL L.E.D. LIGHT STRIPS LOCATED IN HOSE BED
- BRUSHED STAINLESS STEEL SCUFFPLATE INSIDE EACH BODY COMPARTMENT DOORS
- ONE FULL WIDTH/DEPTH ADJUSTABLE SHELF IN COMPARTMENT LS2; TWO IN RS1, RS4
- ONE FLOOR MOUNTED SLIDE-OUT TRAY WITH SIDE SLIDES IN COMPARTMENTS LS1, RS1, RS4
- ONE SLIDE-OUT ALUMINUM TOOL BOARD IN COMPARTMENT RS4
- ONE VERTICAL PARTITION IN COMPARTMENT RS4
- THREE VERTICAL PARTITIONS WITH PEGBOARD IN COMPARTMENT LS2
- ONE 120V 7-PLACE RECEPTACLE STRIP MOUNTED IN CAB PER SHOP ORDER
- ONE 120V 7-PLACE RECEPTACLE STRIP MOUNTED IN COMPARTMENT PER SHOP ORDER
- WHEEL CHOCKS AND MOUNTING PROVIDED BY DEALER

REV	DATE	BY	CH	ENFORCER
040CT21	LME	PJP		MAKE
20AUG21	LME	GKH		PIERCE
06MAY21	CDU	PHA		MODEL

Pierce MANUFACTURING INC.

JOB NO. 36229

SCALE 1:24 DATE

TITLE 1500-D-2500 GAL POLY, 232" L.S. LOW FDLER, R.S. FH FD FDLER, ZICO LADDER RACK, (3) X-LAYS

FOR TOMAHAWK VOLUNTEER FIRE DEPARTMENT TOMAHAWK, WISCONSIN

DWG NO. 36229AD

DRAWN BY LME 29APR21

CHECKED BY CDU 29APR21

SHEET SIZE D SHEET NO. OF