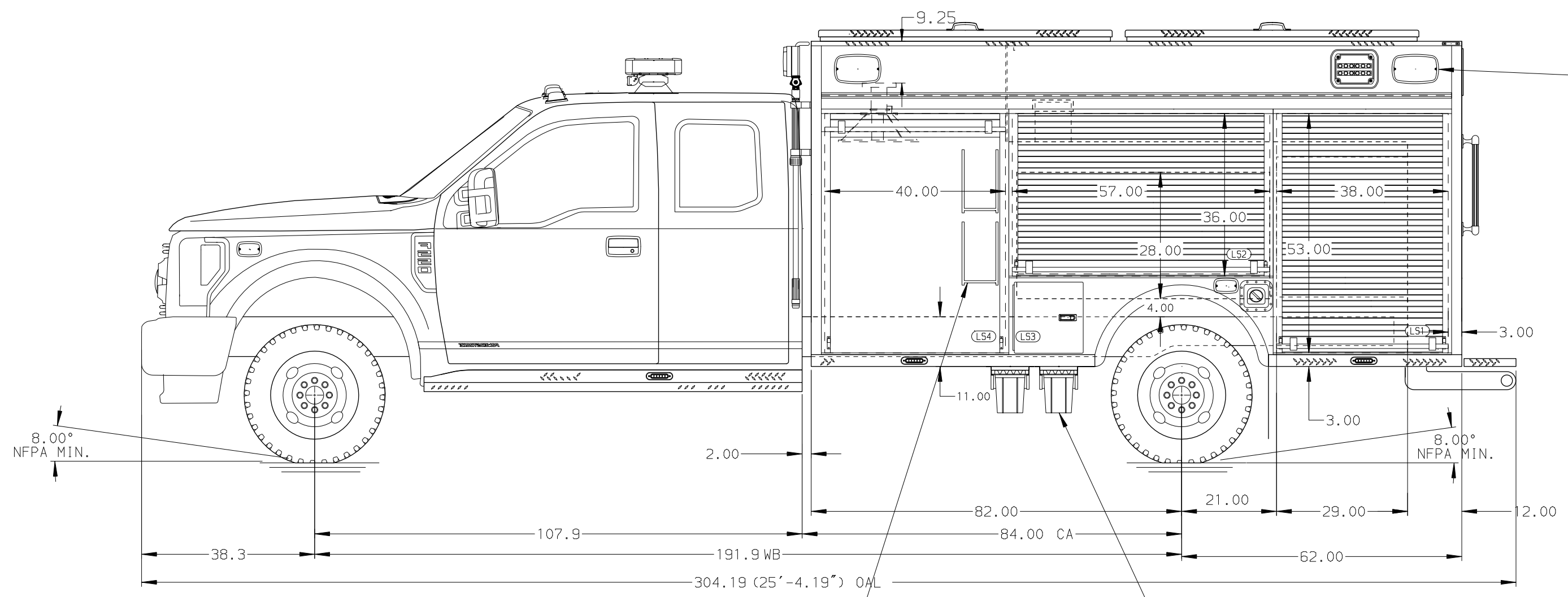
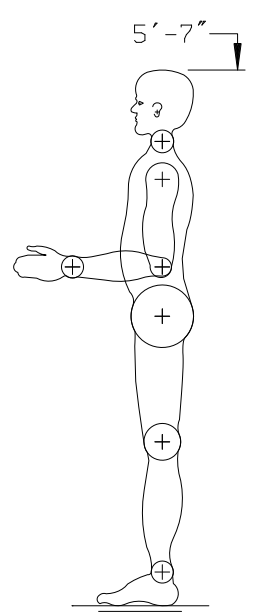


- LADDER, 20' DUO-SAFETY 900A 2-SECT, MINI PUMPER LADDER, 12' DUO-SAFETY 775-DR ROOF
- BOLT IN HATCH COMPARTMENT, PAINTED, W/TOP AND REAR ACCESS 4-WAY DOOR, SOUTHCO C2 CHROME LATCH
- TAILBOARD, REAR STEP, 12" / 24", T-SHAPE, MINI PUMPER
- LIGHTS, HOSEBED, SIDES, DUAL LED LIGHT STRIPS



- LADDER, 10' DUO-SAFETY FOLDING, 585A, ADDITIONAL
- (2) POLE, PIKE 6" FIRE HOOKS UNLIMITED, FIBERGLASS, NHF-6 TUBES, ALUM, PIKE POLE STORAGE
- LIGHTS, CLEARANCE/MARKER/ID, REAR, FRP LED BAR & P25 LED, 4 LTS
- (4) WHELEN M9C LED, CLEAR LENS, REAR/SIDE UP ZONE
- LIGHTS, REAR SCENE, H1V1Z FT-GESMUR SURFACE MOUNT
- BRACKET, LICENSE PLATE & LIGHT, P25 LED
- STEPS, FOLDING, REAR OF BODY, W/LED TRIDENT
- CUP, SWITCH, HOSE BED LIGHTS
- (2) WHELEN M6 L.E.D. WARNING LIGHTS
- (2) WHELEN M6 L.E.D. STOP/TAIL LIGHTS
- (2) WHELEN M6 L.E.D. DIRECTIONAL LIGHTS
- (2) WHELEN M6 L.E.D. BACK-UP LIGHTS
- LIGHTS MOUNTED IN WHELEN M6 "PIERCE" BEZELS
- 144.00" HATCH, 23.5" WIDTH, PAINTED, W/TOP AND REAR ACCESS 4-WAY DOOR, SOUTHCO C2 CHROME LATCH
- OUTLET, FRONT OF HOSE BED, 2.50" MINI PUMPER
- LIGHTS, TRAFFIC DIRECTING, WHELEN TAMB5 SPLIT, 2-19.75" L6 LED
- HANDRAIL, REAR OF BODY, MINI PUMPER
- 72.00
- 46.00
- 29.00
- CAMERA, PIERCE, 7" LCD, REAR CAMERA ONLY WITH ALUMINUM 4-WAY GUARD
- 72.00
- 49.00
- 96.00
- 23.50
- LIGHTS, STEP, P25 LED AT REAR TAILBOARD, 2 LTS
- TOW EYES, (2) UNDER BUMPER/TAILBOARD, UTILITY/RESCUE/MINI W/FORD CHASSIS



ALUMINUM BODY

NOTE
DIMENSIONS SHOWN ARE APPROXIMATE AND ARE SUBJECT TO MINOR DEVIATIONS AS MAY OCCUR OR BE NECESSARY IN CONSTRUCTION. MINOR DETAILS NOT SHOWN.

- SPEEDLAYS, (2) 11.5", W/POLY TRAYS, SIDE CONTROL, STD CAPACITY, INITIAL ATTACK
- (2) ZIAMATIC AC-32 WHEEL CHOCKS MOUNTING BRACKETS, CHOCKS, AC-32, HORIZONTAL

MANUFACTURING INC. BRADENTON, FLORIDA		JOB NO.	36247
		DATE	SCALE 1:24
TITLE	1500-D-270G WATER, 30G FOAM, 84"CA, MINI PUMPER BODY (2) SPEEDLAYS	10JUN21	DRAWN BY RHU
FOR	WILLIAMSON COUNTY FIRE DEPARTMENT FRANKLIN, TN	11JUN21	CHK'D BY RWI
REV.	DATE	BY	CHK'D
CHASSIS DATA	08NOV21	RHU	AJA
CHASSIS	04OCT21	JLA	AJA
FORD	03SEP21	RHU	AJA
MODEL F-550 4X4	23JUN21	RHU	RWI
DRWG. NO.	36247AD		SHEET NO. 1 OF 1
			SHEET SIZE D