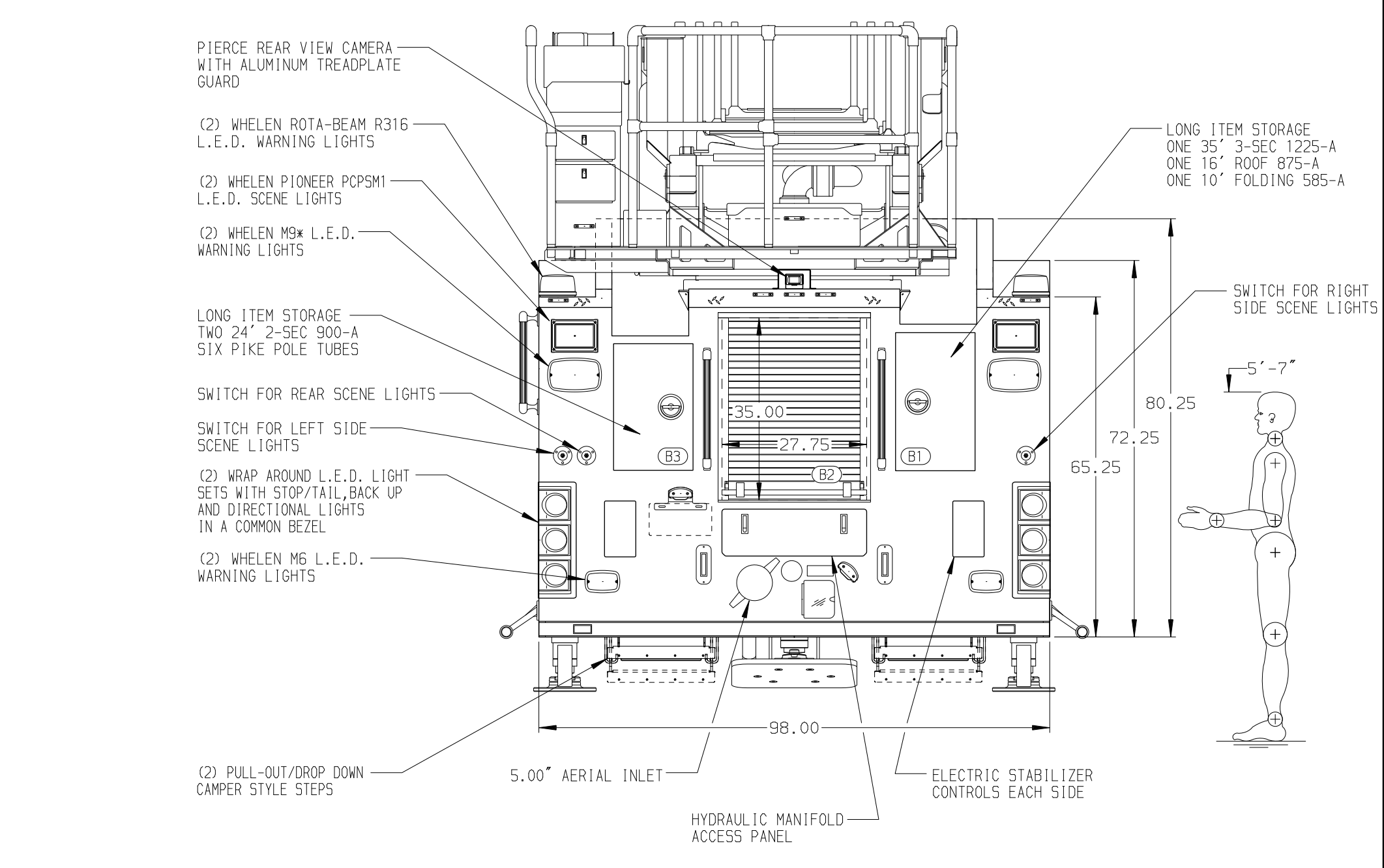


<b>BODY</b>	<b>WATER TANK</b>
107' ASL Aluminum Body	500 Gallon Poly Water Tank
COMPT, LEFT SIDE FRONT	Foam System
Full Height RollUp Forward	Foam System Not Required
COMPT, LEFT SIDE REAR	Foam Cell
Full Height RollUp Rearward	Foam Cell Not Required
COMPT, RIGHT SIDE FRONT	
Full Height RollUp Forward	
COMPT, RIGHT SIDE REAR	
Full Height RollUp Rearward	



<b>CHASSIS</b> Enforcer Chassis 500 HP Cummins X12 Engine	<b>CAB</b> 7010 Notched Enforcer Cab 19" Extended Painted Steel	<b>AXLE, FRONT, CUSTOM</b> 22,800 Lb TAK-4 Axle <b>AXLE, REAR</b> 33,500 Lb Meritor Axle	<b>TRANSMISSION</b> Allison 5th Gen, 4000 EV5 P	<b>PUMPHOUSE</b> 52" Control Zone Side Mount PUMP 2000 GPM Waterous CSU	<b>CROSSLAYS, 1.50"</b> See Above For Location <b>CROSSLAYS, 2.50"</b> See Above For Location	<b>DEADLAYS</b> See Above For Locations <b>GENERATOR</b> Generator Not Required	<b>SAFETY</b> Side Roll and Frontal Impact Protection
---	---	---	--	--	--	--	---

<b>NOTE</b> DIMENSIONS SHOWN ARE APPROXIMATE AND ARE SUBJECT TO MINOR DEVIATIONS AS MAY OCCUR OR BE NECESSARY IN CONSTRUCTION. MINOR DETAILS NOT SHOWN.	<ol style="list-style-type: none"> <li>ONE 1.50" OUTLET WITH 2.00" PIPING AND SWIVEL LOCATED ON LEFT SIDE OF FRONT BUMPER</li> <li>SHORELINE RECEPTACLE WITH KUSSMALL SUPER AUTO-EJECT LOCATED ON DRIVER SIDE OF THE CAB</li> <li>AIR INLET/OUTLET WITH DISCONNECT FITTING LOCATED ON THE DRIVER SIDE PUMP PANEL</li> <li>KUSSMALL AIR COMPRESSOR LOCATED PER SHOP ORDER</li> <li>BATTERY CHARGER LOCATED IN COMPARTMENT PER SHOP ORDER</li> <li>BATTERY CHARGER INDICATOR LOCATED ON DRIVER'S SEAT RISER</li> <li>DUAL L.E.D. LIGHT STRIPS LOCATED IN HOSE BED</li> <li>SEVEN ADJUSTABLE FULL WIDTH/FULL DEPTH SHELVES IN COMPARTMENTS PER SHOP ORDER</li> <li>FOUR FLOOR MOUNTED SLIDE-OUT TRAYS IN COMPARTMENTS PER SHOP ORDER</li> <li>ONE ALUMINUM PEGBOARD ON BACK WALL OF COMPARTMENT PER SHOP ORDER</li> <li>TWO 120V DUPLEX RECEPTACLES IN COMPARTMENTS PER SHOP ORDER</li> <li>MOUNTING PROVISIONS FOR FRONT INLET</li> <li>NON-RAISED AERIAL PEDESTAL</li> <li>LIFTING EYE ROPE RESCUE ATTACHMENT AT AERIAL TIP</li> <li>1500 GPM HIGH FLOW WATERWAY</li> <li>AERIAL LIMITED RETRACTION NOT REQUIRED</li> </ol>
--	--

		JOB NO.	36249
		SCALE	DATE
TITLE	107' ASCENDANT AERIAL LADDER AND BODY ASSEMBLY	DRAWN BY	TKA
FOR	DIX HILLS FIRE DISTRICT	CHECKED BY	NDA
DWG NO.	36249AD	SHEET SIZE	SHEET NO.
REV	DATE	BY	CH