

RIGHT SIDE COMPARTMENTS CONTAIN THE FOLLOWING:

COMPARTMENT R51 CONTAINS:

- (1) VERTICAL COMPARTMENT DIVIDER
- (4) STD DEPTH ADJ 3/8" MOUNTING PLATES
- (2) FLOOR MOUNTED TRAYS WITH TOOLBOARDS
- (1) VERTICAL COMPARTMENT DIVIDER

COMPARTMENT R52 CONTAINS:

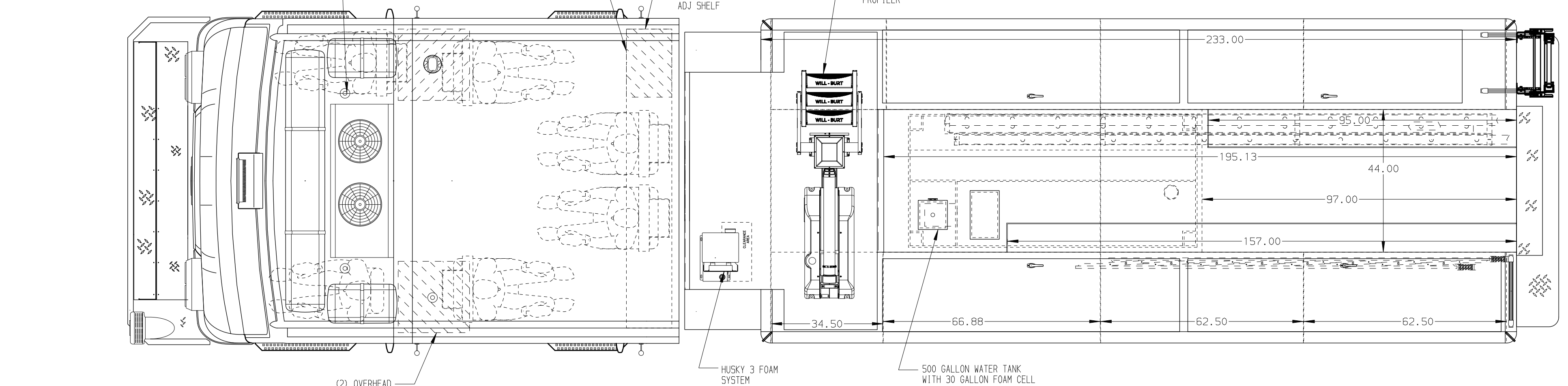
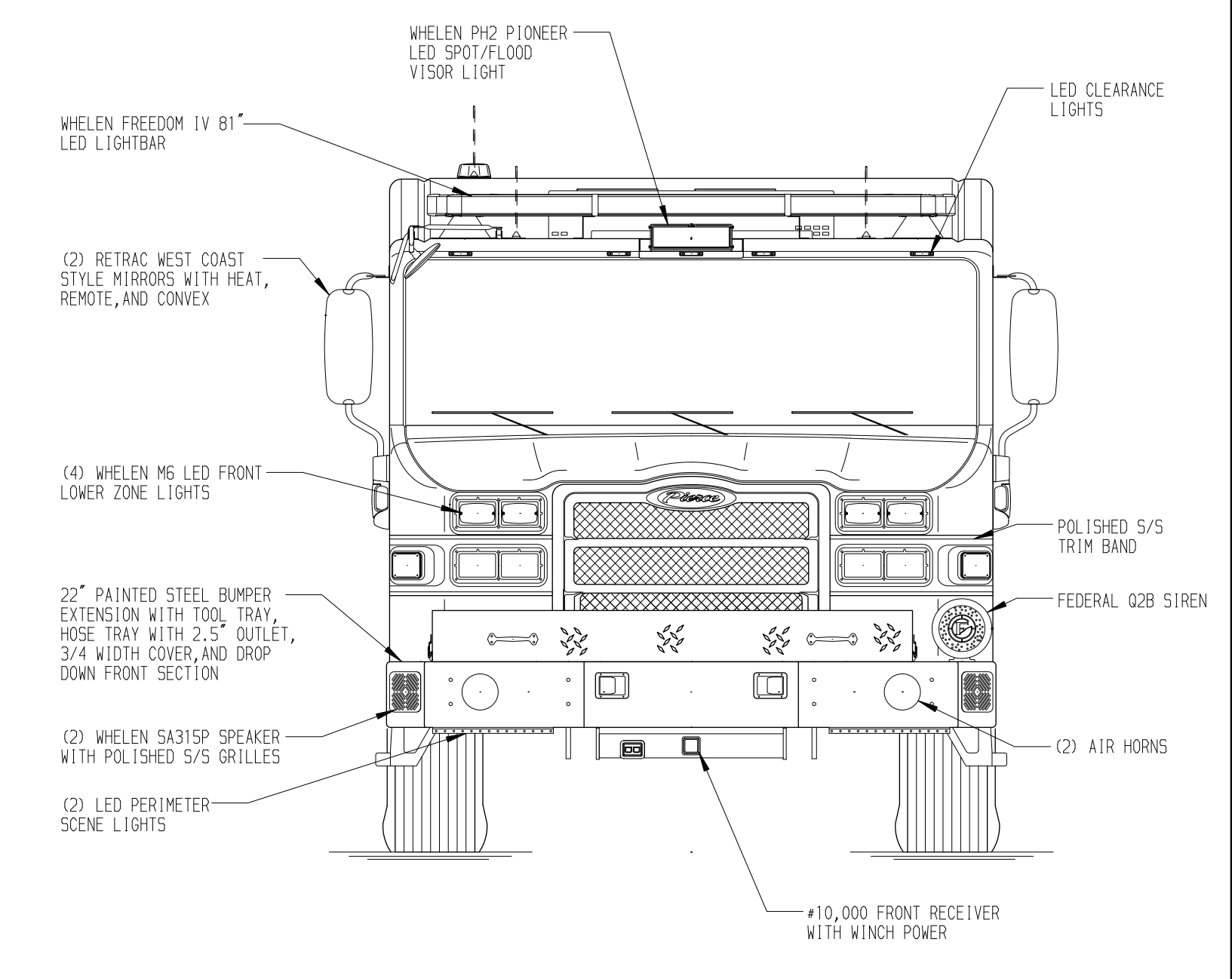
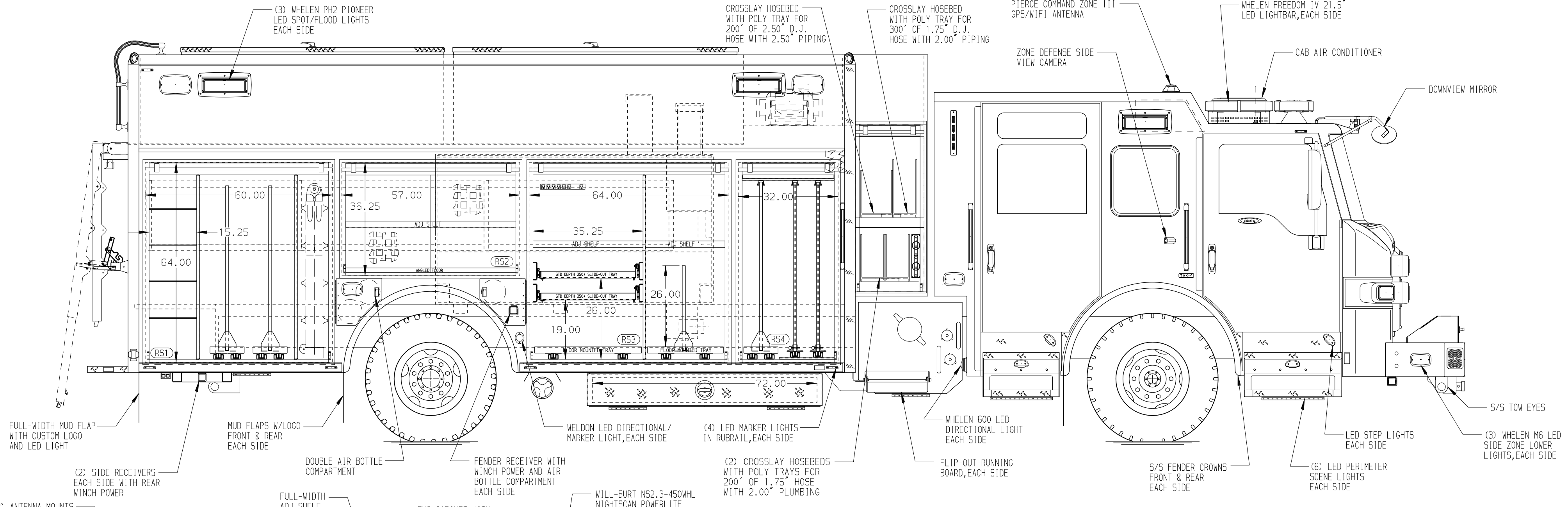
- (1) STD DEPTH ADJ SHELF W/SLANTED FLOOR
- ANGLED COMPARTMENT FLOOR
- COMPARTMENT RETENTION NETTING

COMPARTMENT R53 CONTAINS:

- (1) VERTICAL COMPARTMENT DIVIDER
- (2) STD DEPTH ADJ SHELVES
- (2) STD DEPTH ADJ SLIDE OUT TRAYS
- (1) FLOOR MOUNTED TRAY
- (1) FLOOR MOUNTED TRAY WITH TOOLBOARD
- (1) 15A, 120V 7-PLACE RECEPTACLE

COMPARTMENT R54 CONTAINS:

- (1) FLOOR MOUNTED TRAY WITH TOOLBOARD
- (2) STD DEPTH ADJ SLIDE OUT TOOLBOARDS



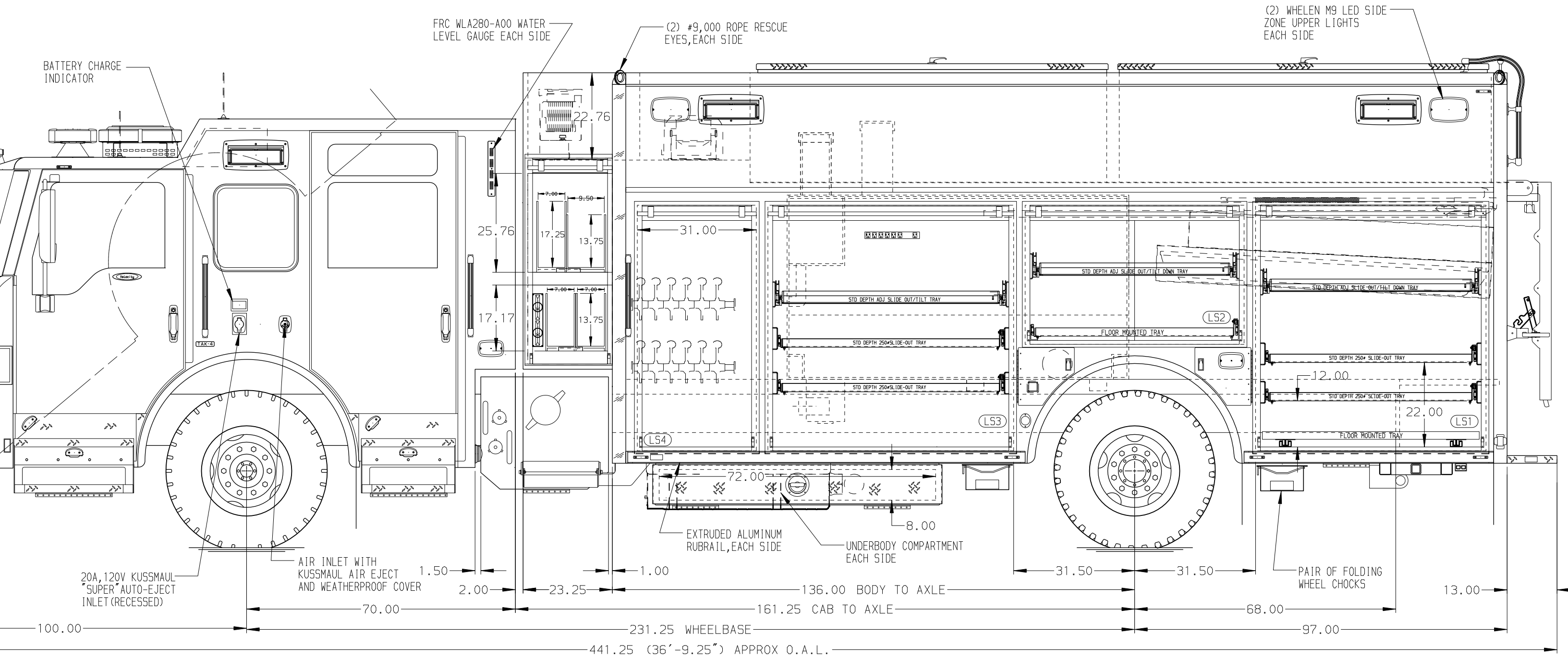
REAR COMPARTMENT CONTAINS THE FOLLOWING:

COMPARTMENT B1 CONTAINS:

- (1) HORIZONTAL FLOOR EXTENSION
- (3) 92" DP SLIDEMASTER TRAY W/TOOLBOARD
- (1) 24' 2-SECTION LADDER
- (1) 14" ROOF LADDER
- (1) ICE SLED TROUGH
- (1) STOKES BASKET TROUGH

HOSEBED CAPACITY

- ① 500' OF 5.00" HOSE
- ② 500' OF 3.00" HOSE



LEFT SIDE COMPARTMENTS CONTAIN THE FOLLOWING:

COMPARTMENT L51 CONTAINS:

- (2) STD DEPTH ADJ SLIDE OUT TRAYS
- (1) STD DEPTH ADJ SLIDE OUT/TILT TRAY
- (1) FLOOR MOUNTED TRAY
- (1) 3/8" MOUNTING PLATE

COMPARTMENT L52 CONTAINS:

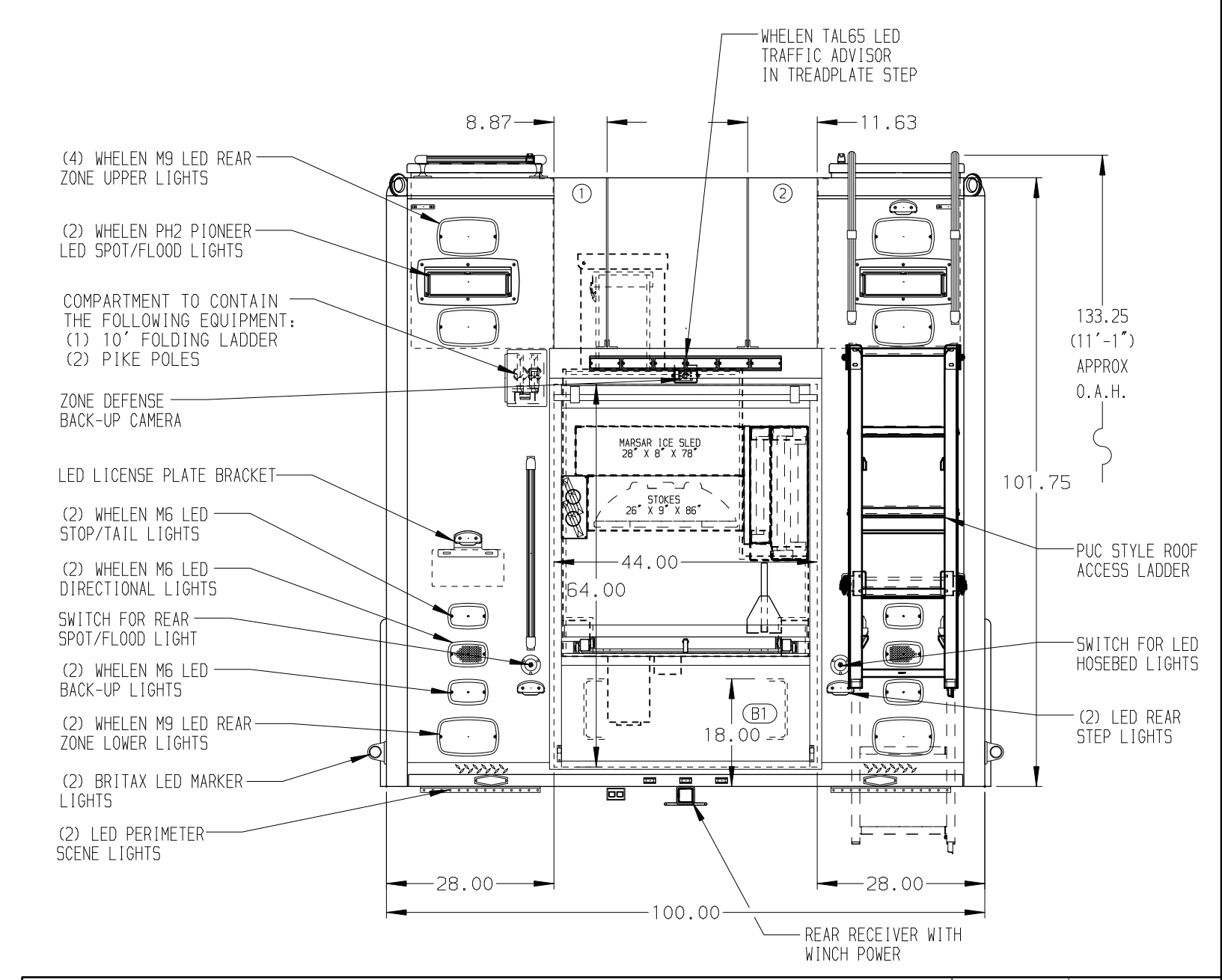
- (1) STD DEPTH ADJ SLIDE OUT/TILT TRAY
- (1) FLOOR MOUNTED TRAY WITH SIDE SLIDES

COMPARTMENT L53 CONTAINS:

- (2) STD DEPTH ADJ SLIDE OUT TRAYS
- (1) STD DEPTH ADJ SLIDE OUT/TILT TRAY
- (1) 15A, 120V 7-PLACE RECEPTACLE

COMPARTMENT L54 CONTAINS:

- (1) NIGHTSCAN CONTROLLER (RECESSED)



NOTE

DIMENSIONS SHOWN ARE APPROXIMATE AND ARE SUBJECT TO MINOR DEVIATIONS AS MAY OCCUR OR BE NECESSARY IN CONSTRUCTION. MINOR DETAILS NOT SHOWN.

- NOTES:**
- RUD AUTOMATIC TIRE CHAINS
 - WARN #10,000 PORTABLE RECEIVER STYLE WINCH
 - ALUMINUM TREADPLATE SCUFFPLATE ON REAR OF ENGINE TUNNEL
 - POLISHED S/S SCUFFPLATES ON CAB AND CREW CAB DOOR JAMBS
 - FLOOR IN CAB AND CREW CAB TO BE CONLOCON 11
 - BRUSHED S/S SCUFFPLATES ON FRONT CORNERS OF THE BODY
 - PULL STRAPS ON ALL ROLL-UP DOORS
 - S/S GUARDS ON ALL BODY ROLL-UP DOORS
 - PIERCE LED LIGHTS IN ALL BODY AND HATCH COMPARTMENTS
 - TURTLE TILE MATTING ON ALL SHELVES, TRAYS, HATCH COMPARTMENT FLOORS AND COMPARTMENT FLOORS AND PER SPECIFIED LOCATIONS
 - PIERCE 1500 GPM PUC STYLE PUMP
 - (2) 15A, 120V 7-PLACE RECEPTACLES (1) LOCATED IN CREW CAB AND (1) BEHIND OFFICER'S SEAT

CLEAR DOOR WIDTH KEY		AMDR ROLL UP DOORS:	GORTITE ROLL UP DOORS:	PIERCE DOUBLE LAP DOORS:	PIERCE LIFT-UP LAP DOORS:	REV	DATE	BY	CH	CHASSIS DATA
$2 1/4"$	$2 1/2"$	$4 1/4"$	$1 1/2"$			260CT21	DHE	AZU	MAKE	PIERCE
						110CT21	DHE	AZU	MODEL	VX7010
						30AUG21	DHE	CDK		
						23JUN21	DHE	AZU		

Pierce MANUFACTURING INC.		JOB NO.	36254
		SCALE	DATE
		1:24	
		DRAWN BY	17JUN21
		DHE	
		CHECKED BY	17JUN21
		AZU	
		SHEET SIZE	SHEET NO.
		D	1 OF 1
TITLE	HEAVY DUTY RESCUE	DWG NO.	36254AD
FOR	RESCUE PUC W/500 GAL WATER TANK 30 GAL FOAM CELL		
	TOWNSHIP OF ALLAMUCHY		
	BID #748		
	ERIC TREVENA		