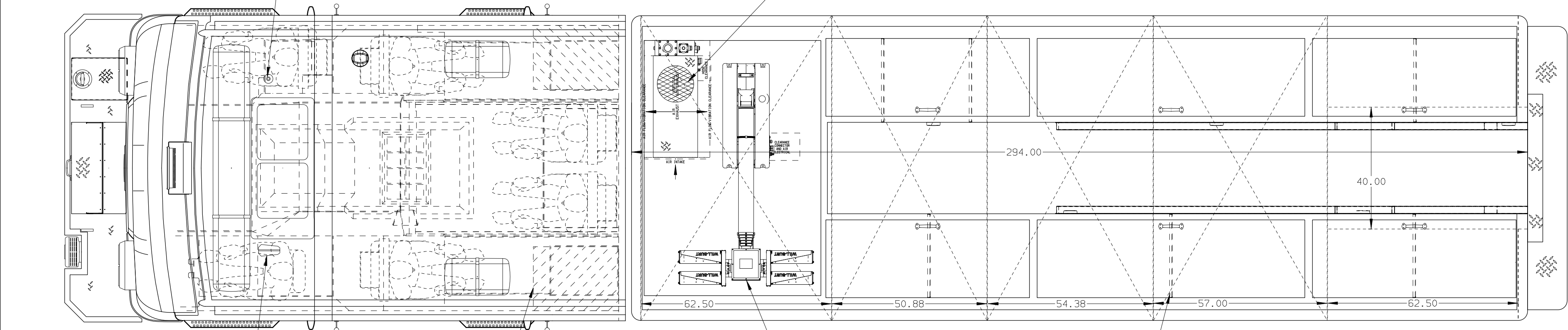
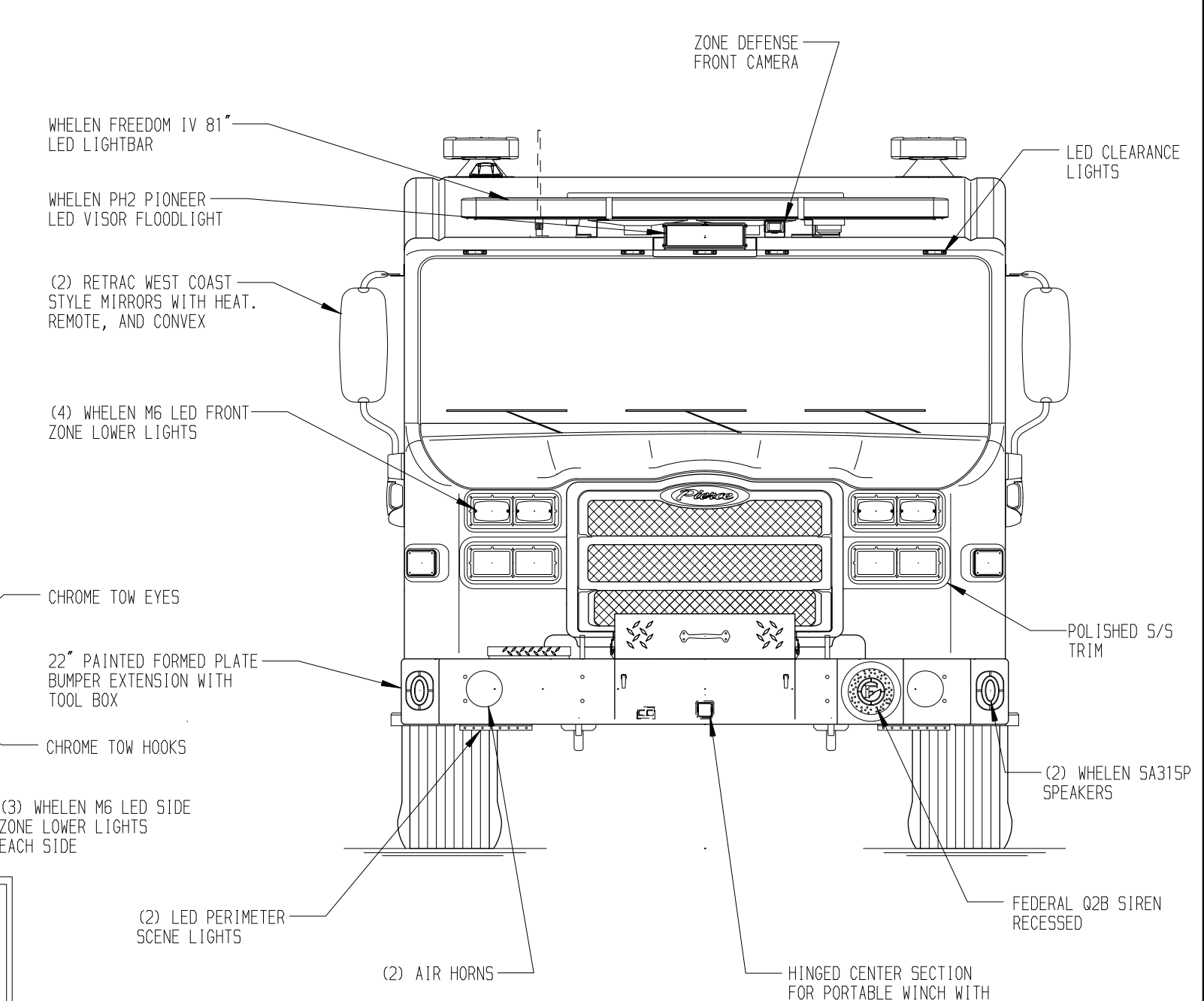
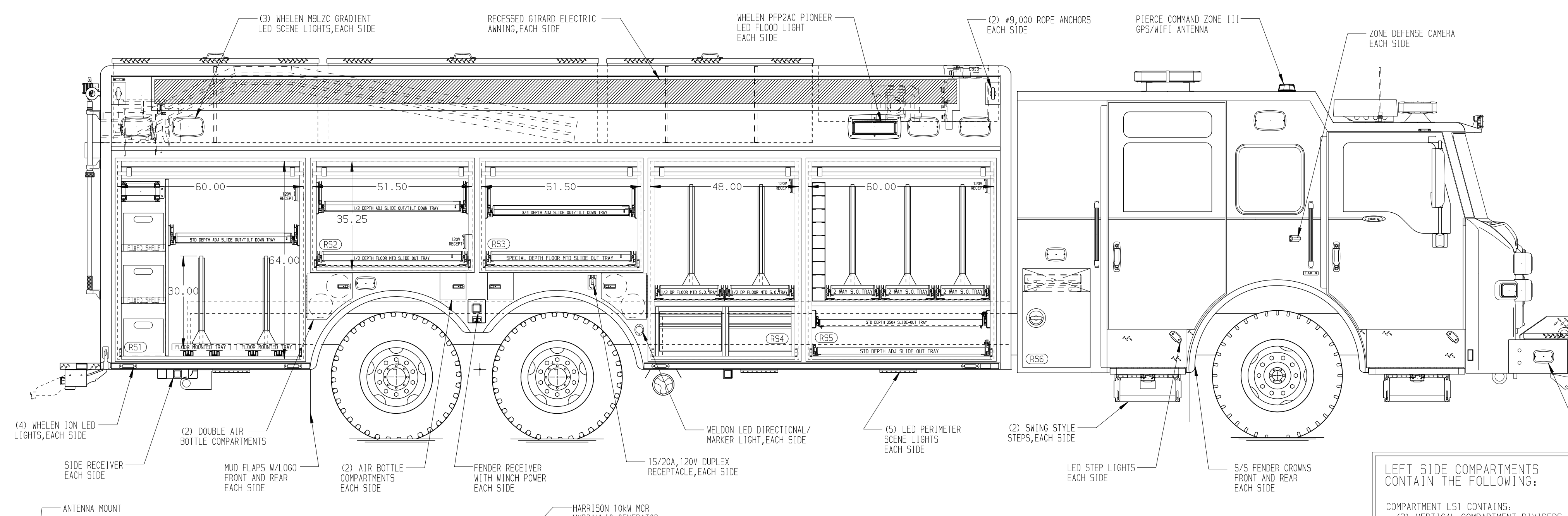
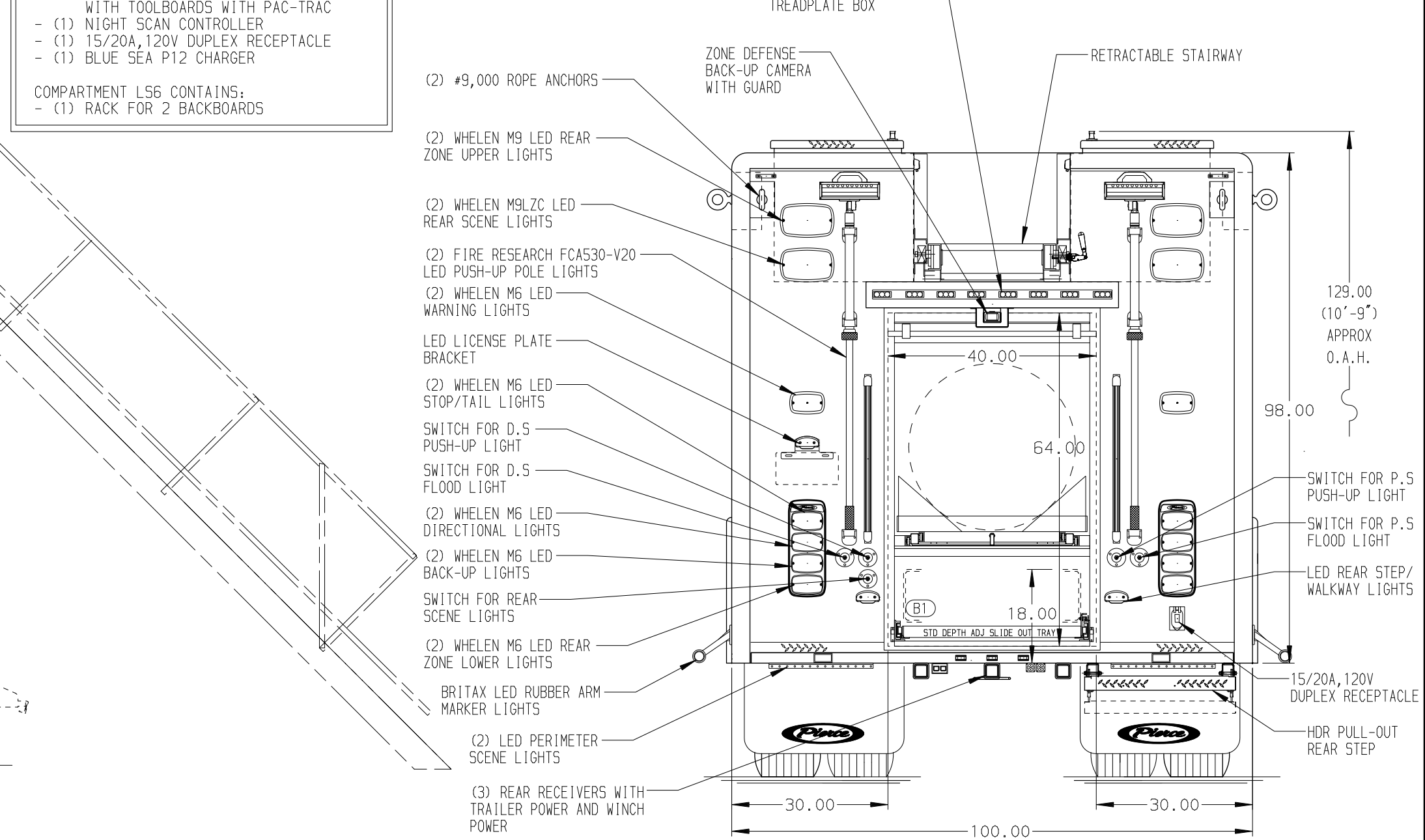
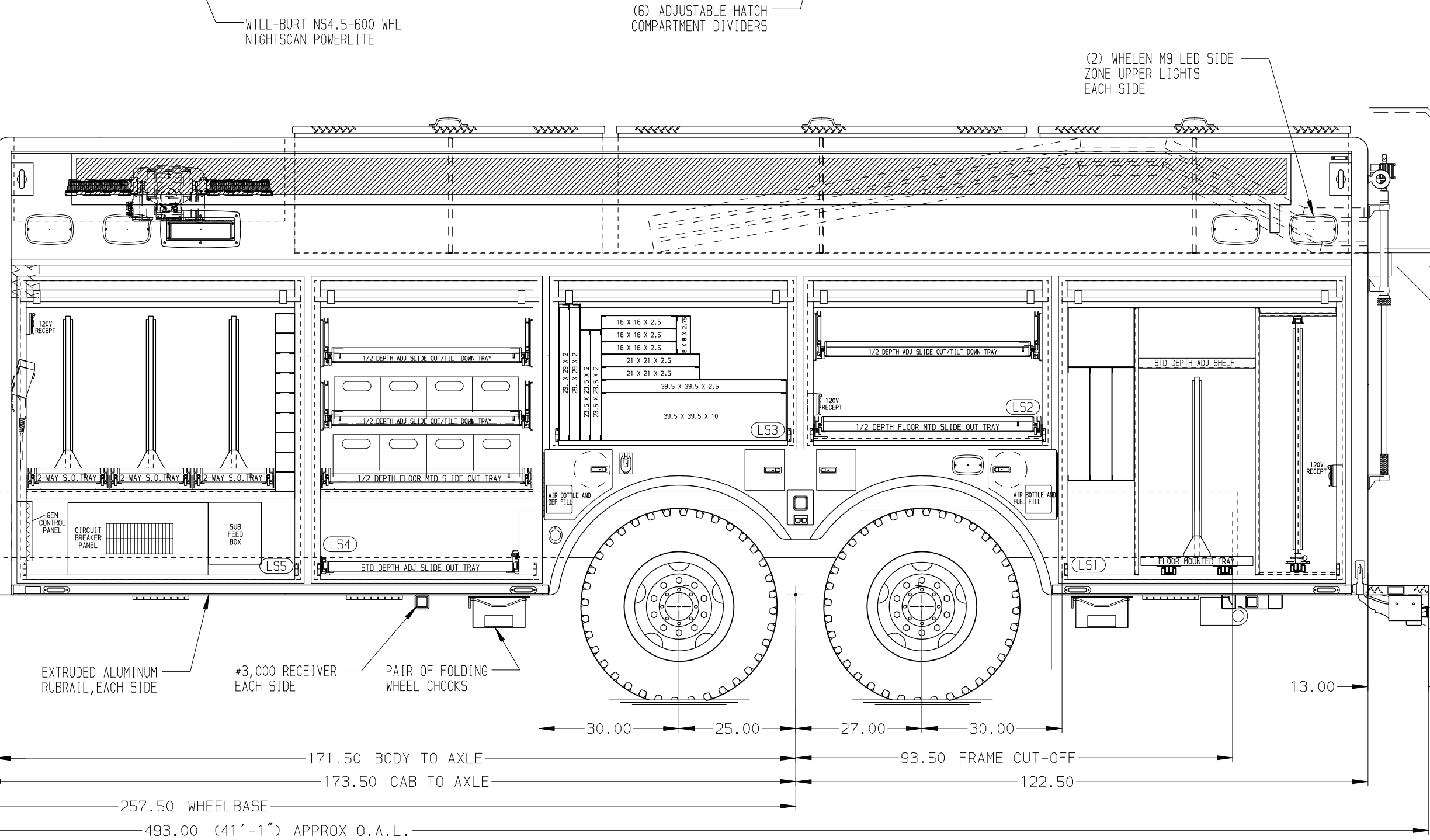
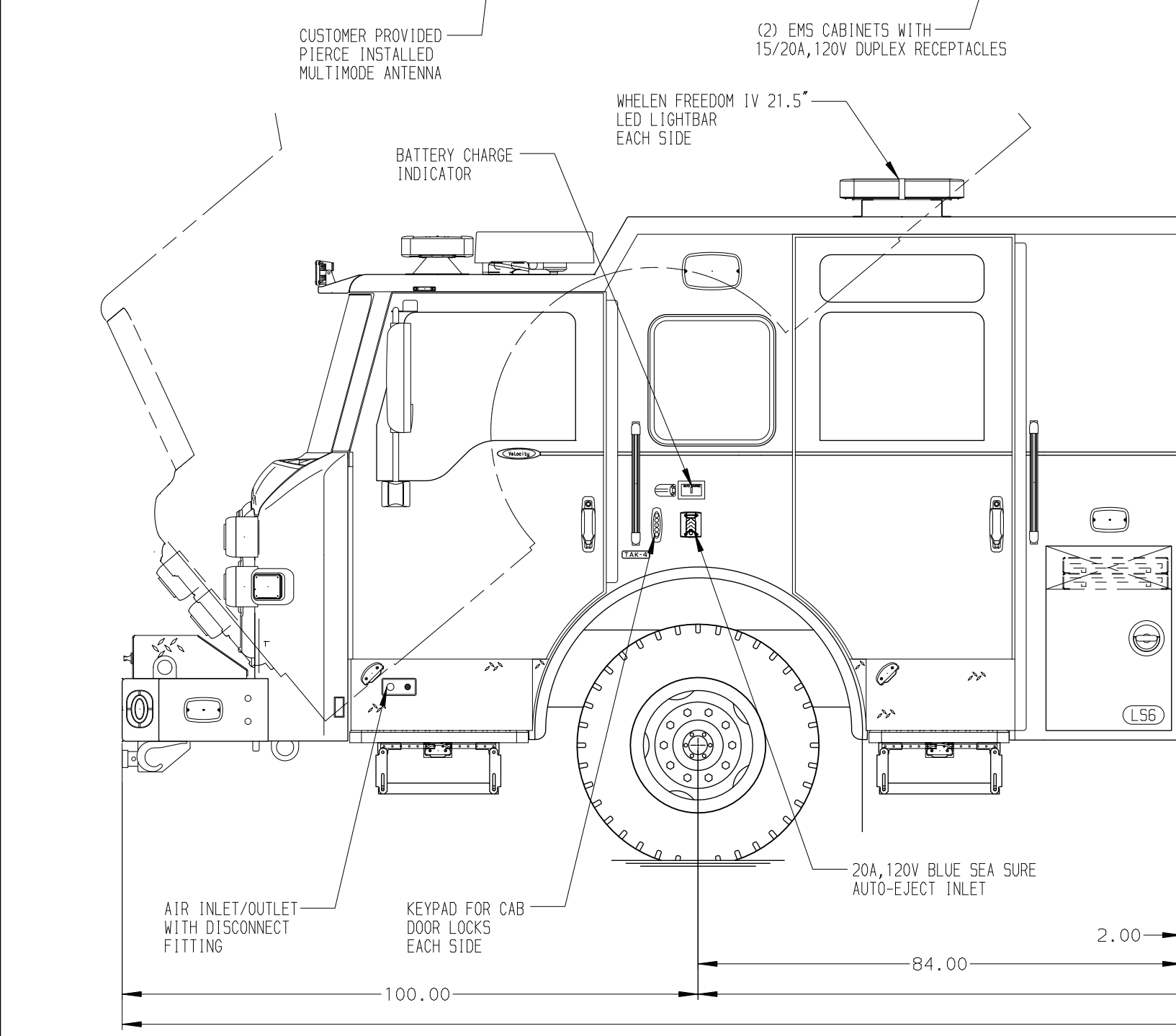


- RIGHT SIDE COMPARTMENTS CONTAIN THE FOLLOWING:**
- COMPARTMENT RS1 CONTAINS:
 - (1) VERTICAL COMPARTMENT DIVIDER
 - (2) FIXED SHELVES
 - (1) STD DEPTH ADJ SLIDE OUT/TILT TRAY
 - (2) STD DEPTH FLOOR MOUNTED TRAYS WITH TOOLBOARDS WITH PAC-TRAC
 - (1) ELECTRIC CORD REEL WITH 200' OF 10/3 YELLOW CORD
 - (1) 15/20A, 120V DUPLEX RECEPTACLE
 - (3) POLY TOOL BOXES
 - COMPARTMENT RS2 CONTAINS:
 - (1) 15/20A, 120V DUPLEX RECEPTACLE
 - (1) 1/2 DEPTH ADJ SLIDE OUT/TILT TRAY
 - (1) 1/2 DEPTH FLOOR MTD SLIDE OUT TRAY
 - COMPARTMENT RS3 CONTAINS:
 - (1) 3/4 DEPTH ADJ SLIDE OUT/TILT TRAY
 - (1) 1/2 DEPTH FLOOR MTD SLIDE OUT TRAY
 - COMPARTMENT RS4 CONTAINS:
 - (1) HORIZONTAL FLOOR EXTENSION
 - (2) 1/2 DEPTH FLOOR MOUNTED SLIDE OUT TRAYS WITH TOOLBOARDS AND PAC TRAC
 - (1) 1/2 DEPTH FLOOR MTD SLIDE OUT TRAY
 - (2) 2-DRAWER C-TECH CABINETS
 - (1) PAC TRAC ON COMPARTMENT WALLS
 - (1) 15/20A, 120V DUPLEX RECEPTACLE
 - COMPARTMENT RS5 CONTAINS:
 - (1) HORIZONTAL FLOOR EXTENSION
 - (1) TWO WAY RACK WITH 9 STORAGE TROUGHS
 - (3) 2-WAY FLOOR MTD SLIDE OUT TRAYS WITH TOOLBOARDS WITH PAC-TRAC
 - (1) 15/20A, 120V DUPLEX RECEPTACLE
 - (1) STD DEPTH ADJ SLIDE OUT TRAY
 - (1) FLOOR MOUNTED TRAY WITH SIDE SLIDES
 - COMPARTMENT RS6 CONTAINS:
 - (1) RACK FOR 2 BACKBOARDS



- LEFT SIDE COMPARTMENTS CONTAIN THE FOLLOWING:**
- COMPARTMENT LS1 CONTAINS:
 - (2) VERTICAL COMPARTMENT DIVIDERS
 - (1) FOUR TROUGH RACK
 - (1) STD DEPTH ADJ SHELF
 - (1) STD DEPTH FLOOR MTD TRAY WITH TOOLBOARD AND PAC TRAC
 - (1) STD DEPTH ADJ SLIDE OUT TOOLBOARD AND PAC TRAC
 - (1) 15/20A, 120V DUPLEX RECEPTACLE
 - COMPARTMENT LS2 CONTAINS:
 - (1) 1/2 DEPTH ADJ SLIDE OUT/TILT TRAY
 - (1) 1/2 DEPTH FLOOR MTD SLIDE OUT TRAY
 - COMPARTMENT LS3 CONTAINS:
 - (1) AIR BAG RACK WITH 12 SLOTS
 - COMPARTMENT LS4 CONTAINS:
 - (1) HORIZONTAL FLOOR EXTENSION
 - (8) POLY TOOL BOXES
 - (2) 1/2 DEPTH ADJ SLIDE OUT/TILT TRAYS
 - (1) 1/2 DEPTH FLOOR MTD SLIDE OUT TRAY
 - (1) FLOOR MOUNTED TRAY WITH SIDE SLIDES
 - (1) TRAY DIVIDERS
 - COMPARTMENT LS5 CONTAINS:
 - (1) CIRCUIT BREAKER PANEL
 - (1) GENERATOR METER PANEL
 - (1) SUB FEED BOX
 - (1) HORIZONTAL FLOOR EXTENSION
 - (1) TWO WAY RACK WITH 9 STORAGE TROUGHS
 - (3) 2-WAY FLOOR MTD SLIDE OUT TRAYS WITH TOOLBOARDS WITH PAC-TRAC
 - (1) NIGHT SCAN CONTROLLER
 - (1) 15/20A, 120V DUPLEX RECEPTACLE
 - (1) BLUE SEA P12 CHARGER
 - COMPARTMENT LS6 CONTAINS:
 - (1) RACK FOR 2 BACKBOARDS

- REAR COMPARTMENT CONTAINS THE FOLLOWING:**
- COMPARTMENT B1 CONTAINS:
 - (1) FLOOR MOUNTED TRAY WITH SIDE SLIDES
 - (1) HORIZONTAL FLOOR EXTENSION
 - (1) 60" DP FLOOR MTD SLIDEMASTER TRAY
 - (1) STORAGE RACK FOR OVERPACK DRUM



NOTE
DIMENSIONS SHOWN ARE APPROXIMATE AND ARE SUBJECT TO MINOR DEVIATIONS AS MAY OCCUR OR BE NECESSARY IN CONSTRUCTION. MINOR DETAILS NOT SHOWN.

- NOTES:**
- KUSSMAUL BRAKE SYSTEM COMPRESSOR LOCATED UNDER DRIVER'S SIDE REAR FACING SEAT
 - WARN #10,000 PORTABLE RECEIVER STYLE WINCH
 - BRUSHED S/S SCUFFPLATES ON CAB AND CREW CAB DOOR JAMBS
 - FLOOR IN CAB AND CREW CAB TO BE PADDED RUBBER
 - (4) STREAMLIGHT SURVIVOR LED LIGHTS MOUNTED IN CAB
 - FIRECOM S1000 INTERCOM SYSTEM
 - 15/20A, 120V DUPLEX RECEPTACLES LOCATED IN DS AND PS REAR HATCH COMPARTMENTS
 - RULL STRAPS ON ALL BODY ROLL-UP DOORS
 - S/S GUARDS ON ALL BODY ROLL-UP DOORS
 - LED STRIP LIGHTS IN ALL BODY AND HATCH COMPARTMENTS
 - RUBBER MATTING IN ALL COMPARTMENT SHELVES AND TRAYS

CLEAR DOOR WIDTH KEY

AMDR ROLL UP DOORS:	-2 1/4"
GORTITE ROLL UP DOORS:	-2 1/2"
PIERCE DOUBLE LAP DOORS:	-4 1/4"
PIERCE LIFT-UP LAP DOORS:	-1 1/2"

(EX: 60" F-F - 2 1/4" = 57 3/4" CLEAR)
(F-F) = FRAME TO FRAME

CHASSIS DATA	TITLE	HEAVY DUTY RESCUE NON-WALK-IN
MAKE	FOR	REEVES COUNTY ESD1 BIDD #899
MODEL	DWG NO.	36285AD
280C21	DATE	09JUN21
DHE	BY	CDK
CDK	CH	JJR
PIERCE	REV	03SEP21
VXFR8410		

Pierce MANUFACTURING INC.

JOB NO. 36285

SCALE 1:24 DATE

DRAWN BY DHE 09JUN21

CHECKED BY CDK 11JUN21

JOHN KOVACH

SHEET SIZE D SHEET NO. 1 OF 1