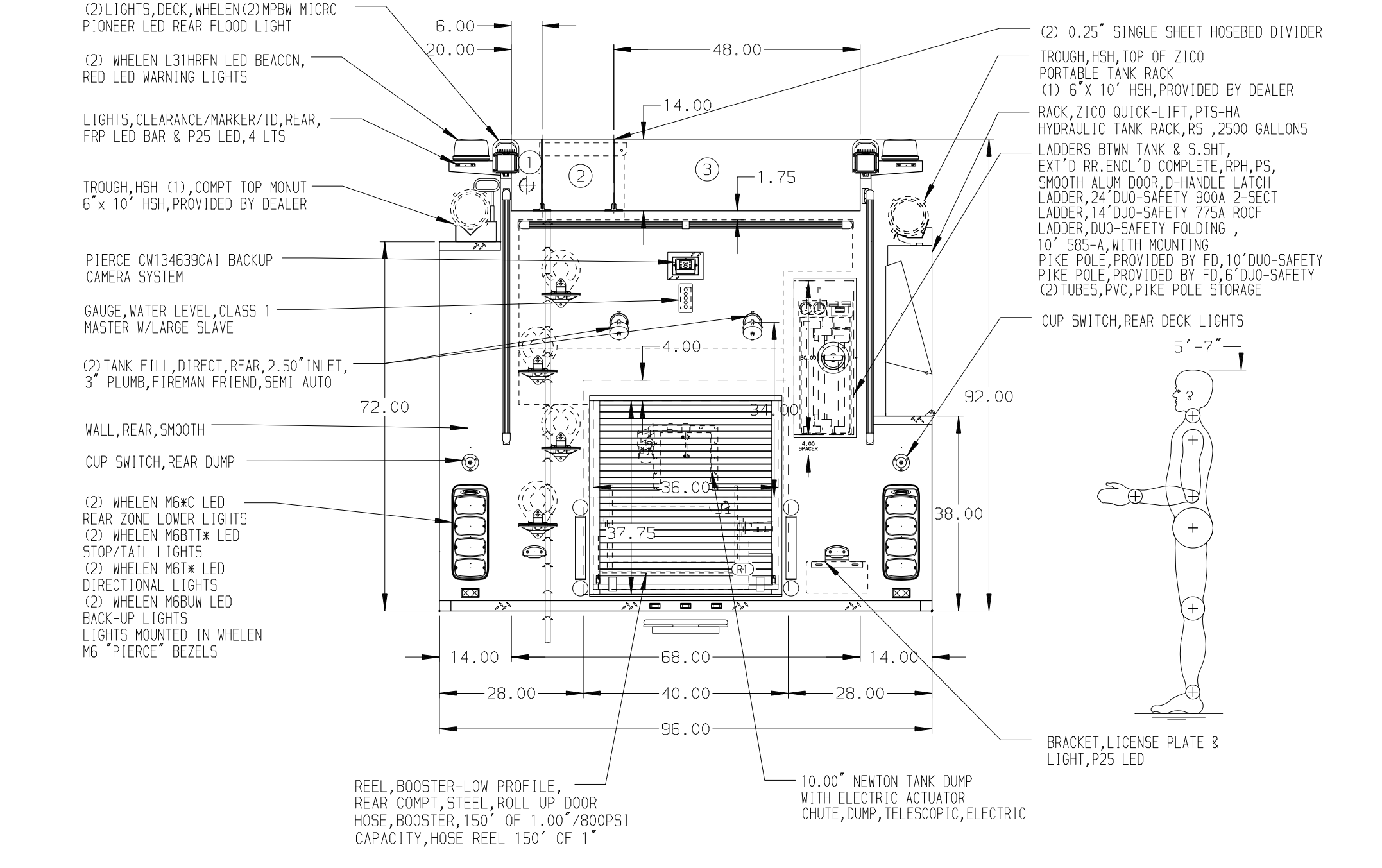
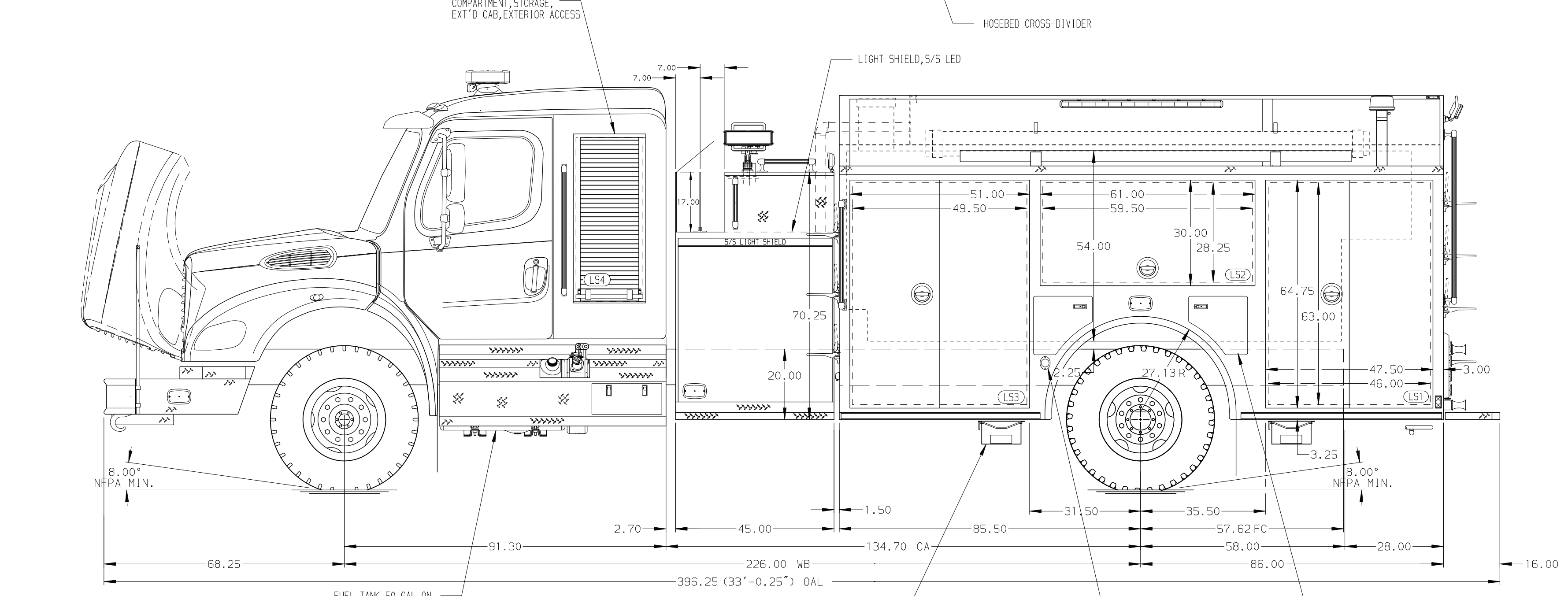



- HOSEBED CAPACITIES
- ① 200' OF 2.50" D.J. POLYESTER HOSE
 - ② 600' OF 2.50" D.J. POLYESTER HOSE
 - ③ 1000' OF 5.00" D.J. POLYESTER HOSE



ALUMINUM BODY

NOTE
DIMENSIONS SHOWN ARE APPROXIMATE AND ARE SUBJECT TO MINOR DEVIATIONS AS MAY OCCUR OR BE NECESSARY IN CONSTRUCTION. MINOR DETAILS NOT SHOWN.

REV	DATE	BY	CH	MODEL
290C21	JLA	DDR		M2-112
280C21	JLA	NAS		
010C21	RHU	NAS		
22JUL21	JLA	RW1		



MANUFACTURING INC.
BRADENTON, FLORIDA

JOB NO.	36308
SCALE	1:24
DATE	
DRAWN BY	JLA
CHECKED BY	RWI
SHEET SIZE	SHEET NO.
D	1 OF 1

TITLE: 1500-D-1500 POLY, 171" BODY, LS FULL HEIGHT RS LOW
45" SIDE CONTROL, (2) 1.50" CROSSLAYS

FOR: CHINQUAPIN VOL. FIRE & RESCUE
CHINQUAPIN, NORTH CAROLINA

DWG NO. **36308AD**