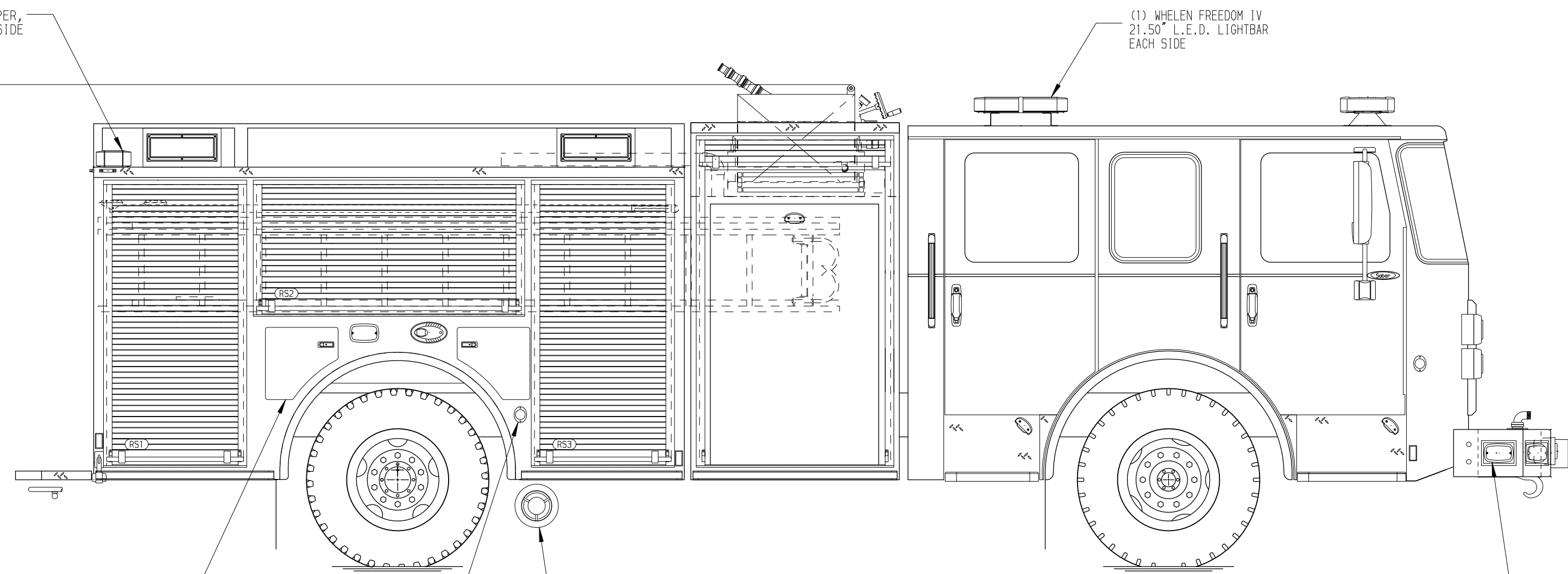
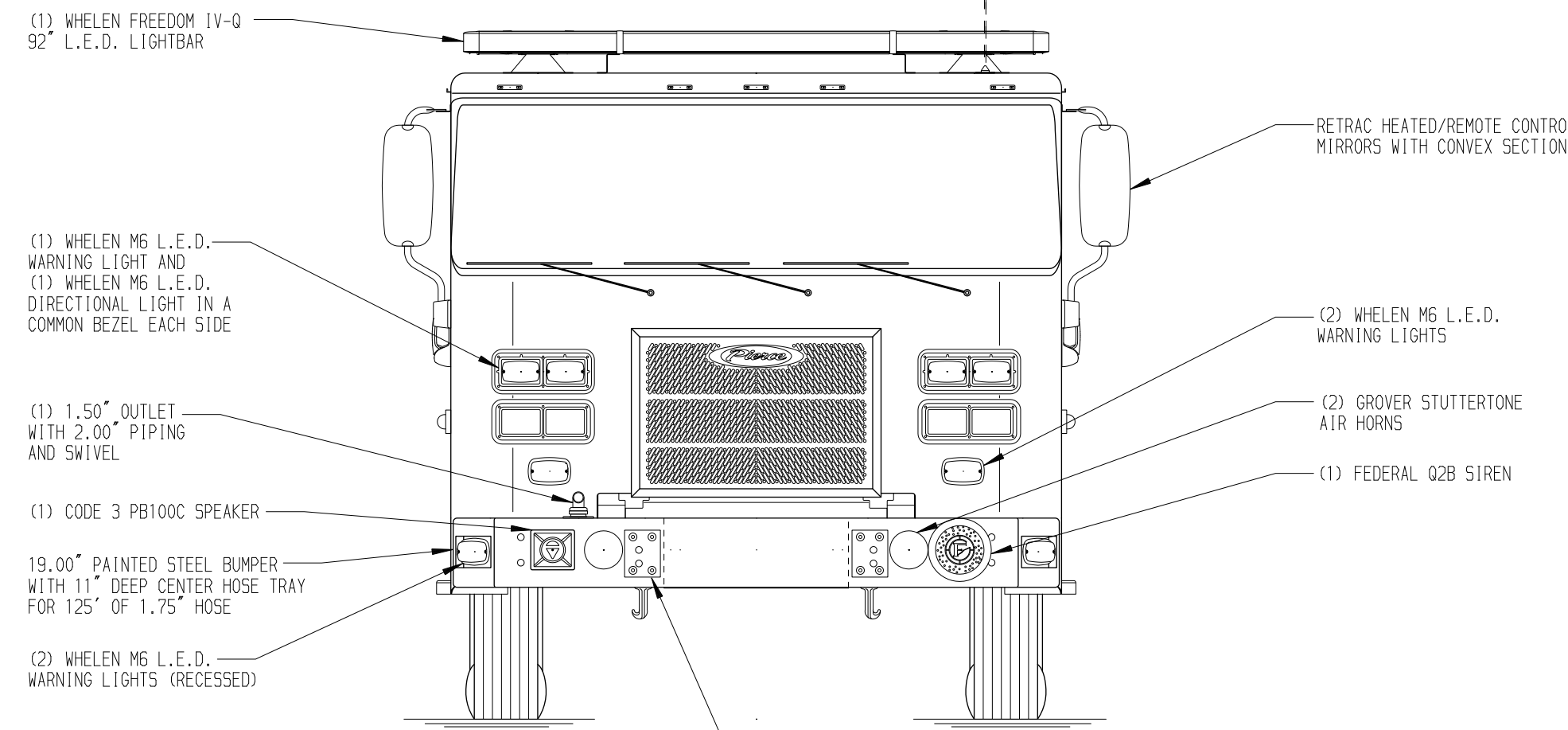


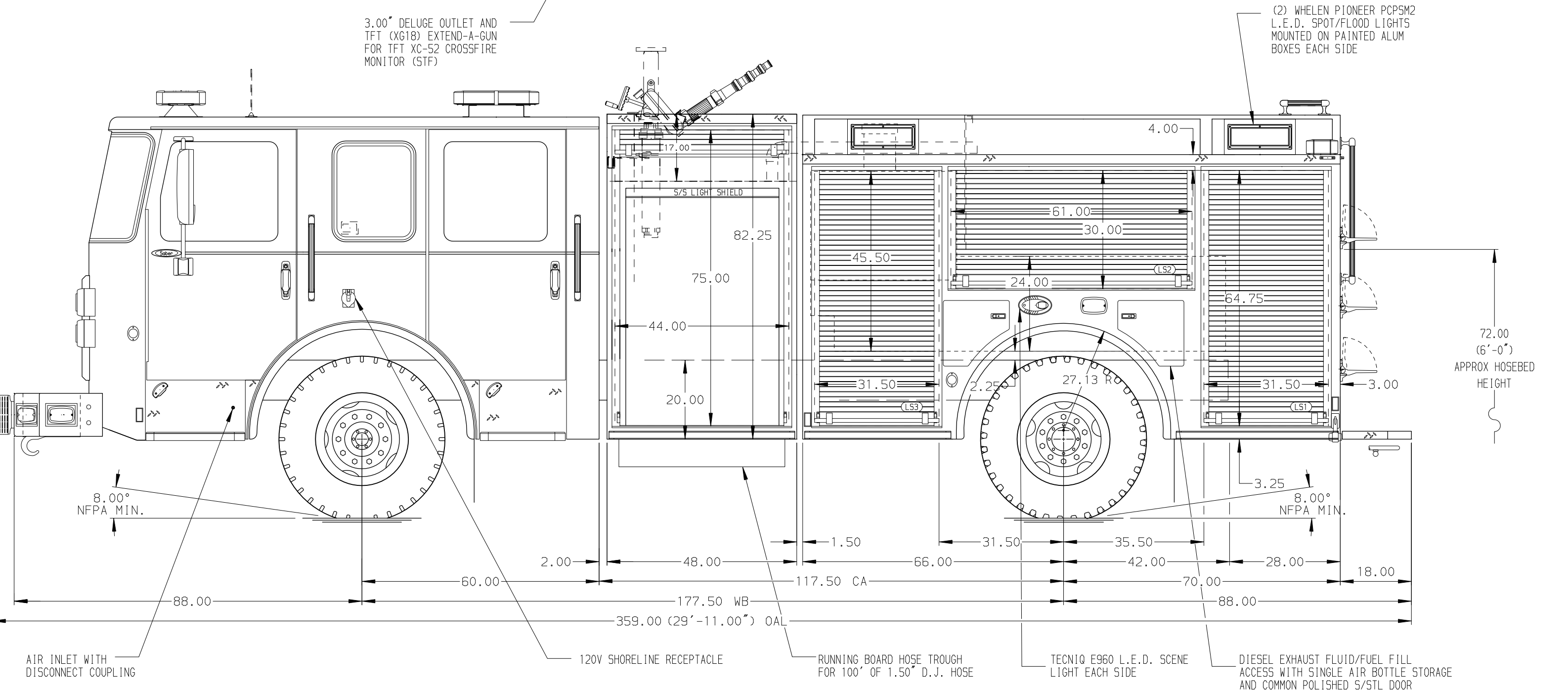
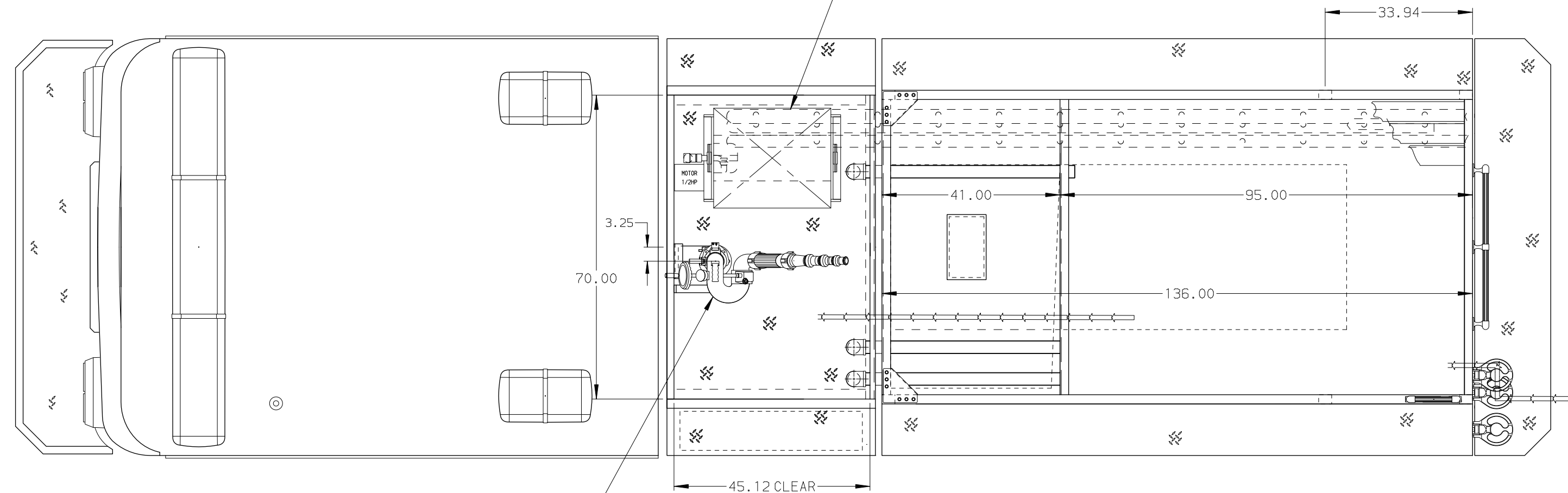
LIGHT, REAR ZONE UPPER, MCFLED2J LED EACH SIDE
 111.00 (9'-3") APPROX O.A.H.



(2) TRIPLE AIR BOTTLE COMPARTMENT WITH POLISHED DOOR ON RIGHT SIDE (1) ON LEFT SIDE
 (1) WELDON 9186-8580-29 L.E.D. DIRECTIONAL/MARKER LIGHT EACH SIDE
 EXHAUST MODIFIED FOR EXTRACTION AND FLUSH WITH RUBRAIL
 (1) HANNAY HOSE REEL WITH CAPACITY FOR 200' OF 1.00" HOSE
 (2) WHELEN M6 L.E.D. WARNING LIGHTS EACH SIDE (RECESSED IN BUMPER)

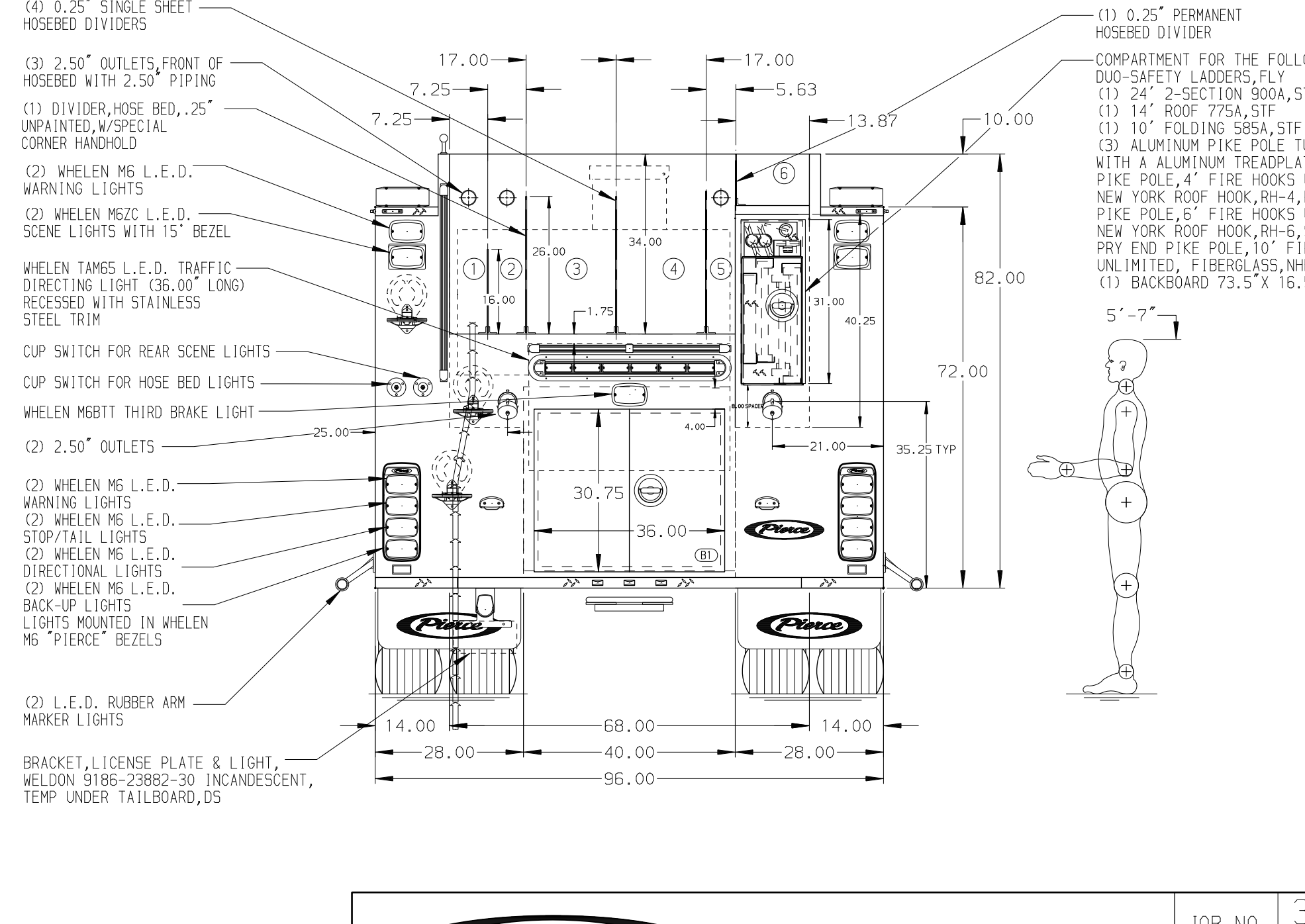


(1) WHELEN FREEDOM IV-0 92" L.E.D. LIGHTBAR
 (1) WHELEN M6 L.E.D. WARNING LIGHT AND (1) WHELEN M6 L.E.D. DIRECTIONAL LIGHT IN A COMMON BEZEL EACH SIDE
 (1) 1.50" OUTLET WITH 2.00" PIPING AND SWIVEL
 (1) CODE 3 PB100C SPEAKER
 19.00" PAINTED STEEL BUMPER WITH 11" DEEP CENTER HOSE TRAY FOR 125' OF 1.75" HOSE
 (2) WHELEN M6 L.E.D. WARNING LIGHTS (RECESSED)
 RETRAC HEATED/REMOTE CONTROL MIRRORS WITH CONVEX SECTION
 (2) WHELEN M6 L.E.D. WARNING LIGHTS
 (2) GROVER STUTTERTONE AIR HORNS
 (1) FEDERAL 02B SIREN
 (2) RUBBER DOCK BUMPERS



3.00" DELUGE OUTLET AND TFT (XG18) EXTEND-A-GUN FOR TFT XC-52 CROSSFIRE MONITOR (SIF)
 (2) WHELEN PIONEER POPSM2 L.E.D. SPOT/FLOOD LIGHTS MOUNTED ON PAINTED ALUM BOXES EACH SIDE
 SURFACE DESIGNATION AND PATHWAY MARKINGS
 (4) 0.25" SINGLE SHEET HOSEBED DIVIDERS
 (3) 2.50" OUTLETS, FRONT OF HOSEBED WITH 2.50" PIPING
 (1) DIVIDER, HOSE BED, .25" UNPAINTED, W/SPECIAL CORNER HANDHOLD
 (2) WHELEN M6 L.E.D. WARNING LIGHTS
 (2) WHELEN M6 L.E.D. SCENE LIGHTS WITH 15" BEZEL
 WHELEN TAM65 L.E.D. TRAFFIC DIRECTING LIGHT (36.00" LONG) RECESSED WITH STAINLESS STEEL TRIM
 CUP SWITCH FOR REAR SCENE LIGHTS
 CUP SWITCH FOR HOSE BED LIGHTS
 WHELEN M6BT1 THIRD BRAKE LIGHT
 (2) 2.50" OUTLETS
 (2) WHELEN M6 L.E.D. WARNING LIGHTS
 (2) WHELEN M6 L.E.D. STOP/TAIL LIGHTS
 (2) WHELEN M6 L.E.D. DIRECTIONAL LIGHTS
 (2) WHELEN M6 L.E.D. BACK-UP LIGHTS
 LIGHTS MOUNTED IN WHELEN M6 "PIERCE" BEZELS
 (2) L.E.D. RUBBER ARM MARKER LIGHTS
 BRACKET, LICENSE PLATE & LIGHT, WELDON 9186-23882-30 INCANDESCENT, TEMP UNDER TAILBOARD, DS
 3.00" DELUGE OUTLET AND TFT (XG18) EXTEND-A-GUN FOR TFT XC-52 CROSSFIRE MONITOR (SIF)
 (2) WHELEN PIONEER POPSM2 L.E.D. SPOT/FLOOD LIGHTS MOUNTED ON PAINTED ALUM BOXES EACH SIDE
 (4) 0.25" SINGLE SHEET HOSEBED DIVIDERS
 (3) 2.50" OUTLETS, FRONT OF HOSEBED WITH 2.50" PIPING
 (1) DIVIDER, HOSE BED, .25" UNPAINTED, W/SPECIAL CORNER HANDHOLD
 (2) WHELEN M6 L.E.D. WARNING LIGHTS
 (2) WHELEN M6 L.E.D. SCENE LIGHTS WITH 15" BEZEL
 WHELEN TAM65 L.E.D. TRAFFIC DIRECTING LIGHT (36.00" LONG) RECESSED WITH STAINLESS STEEL TRIM
 CUP SWITCH FOR REAR SCENE LIGHTS
 CUP SWITCH FOR HOSE BED LIGHTS
 WHELEN M6BT1 THIRD BRAKE LIGHT
 (2) 2.50" OUTLETS
 (2) WHELEN M6 L.E.D. WARNING LIGHTS
 (2) WHELEN M6 L.E.D. STOP/TAIL LIGHTS
 (2) WHELEN M6 L.E.D. DIRECTIONAL LIGHTS
 (2) WHELEN M6 L.E.D. BACK-UP LIGHTS
 LIGHTS MOUNTED IN WHELEN M6 "PIERCE" BEZELS
 (2) L.E.D. RUBBER ARM MARKER LIGHTS
 BRACKET, LICENSE PLATE & LIGHT, WELDON 9186-23882-30 INCANDESCENT, TEMP UNDER TAILBOARD, DS

HOSEBED CAPACITIES
 ① - 250' OF 1.75" D.J. POLY HOSE
 ② - 250' OF 1.75" D.J. POLY HOSE
 ③ - 750' OF 3.00" D.J. POLY HOSE
 ④ - 750' OF 3.00" D.J. POLY HOSE
 ⑤ - 250' OF 2.50" D.J. POLY HOSE
 ⑥ - 150' OF 1.75" D.J. POLY HOSE



(1) 0.25" PERMANENT HOSEBED DIVIDER
 COMPARTMENT FOR THE FOLLOWING:
 DUO-SAFETY LADDERS, FLY
 (1) 24' 2-SECTION 900A, STF
 (1) 14' ROOF 775A, STF
 (1) 10' FOLDING 585A, STF
 (3) ALUMINUM PIKE POLE TUBES WITH A ALUMINUM TREADPLATE DOOR
 PIKE POLE, 4' FIRE HOOKS UNLIMITED, NEW YORK ROOF HOOK, RH-4, PRY END PIKE POLE, 6' FIRE HOOKS UNLIMITED, NEW YORK ROOF HOOK, RH-6, STEEL, PRY END PIKE POLE, 10' FIRE HOOKS UNLIMITED, FIBERGLASS, NHFG-10
 (1) BACKBOARD 73.5" X 16.5" X 2.19"
 5'-7"

ALUMINUM BODY

MAXIMUM O.A.L. 359"

MAXIMUM O.A.H. 111"

NOTE
 DIMENSIONS SHOWN ARE APPROXIMATE AND ARE SUBJECT TO MINOR DEVIATIONS AS MAY OCCUR OR BE NECESSARY IN CONSTRUCTION. MINOR DETAILS NOT SHOWN.

REV	DATE	BY	CH	SABER FR
13SEP21	JLA	GSC		
25AUG21	JLA	GSC		
17JUN21	JJB	SMA		

		JOB NO.	36310-01-02
		SCALE	1:24
		DATE	
TITLE	1500-D-500 GALLON WATER TANK, 136" FDLER PUMPER BODY LADDERS BTWN TANK & SS, ENCLOSED PUMPHOUSE, DELUGE	DRAWN BY	JJB
FOR	CITY OF COLORADO SPRINGS COLORADO SPRINGS, CO	CHECKED BY	SMA
DWG NO.	36310AD	SHEET SIZE	D
		SHEET NO.	1 OF 1