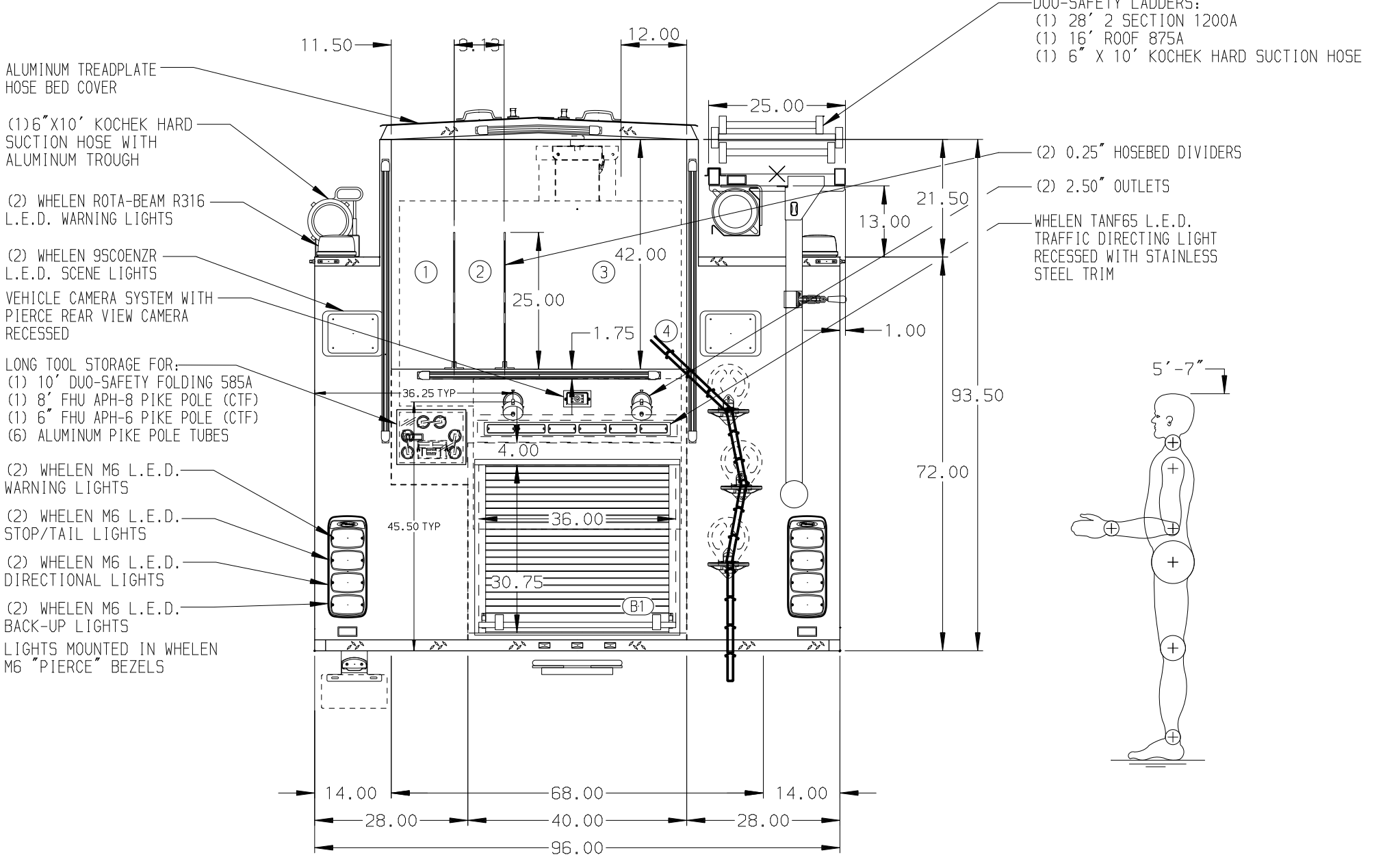
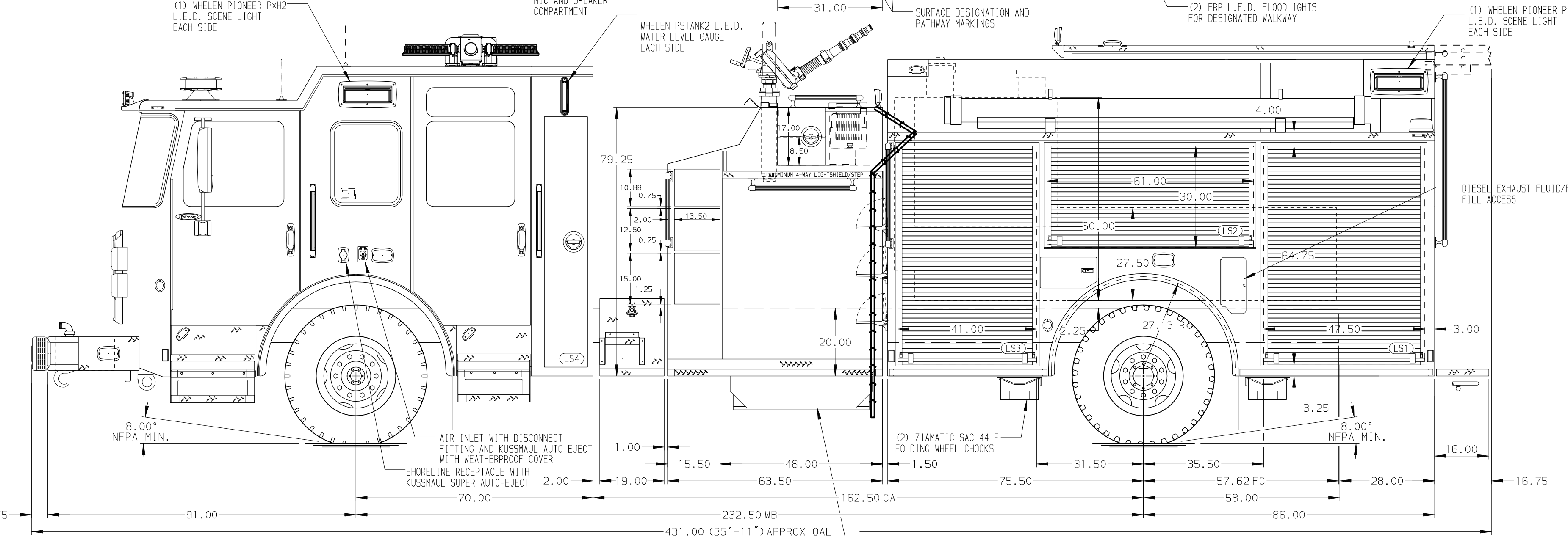
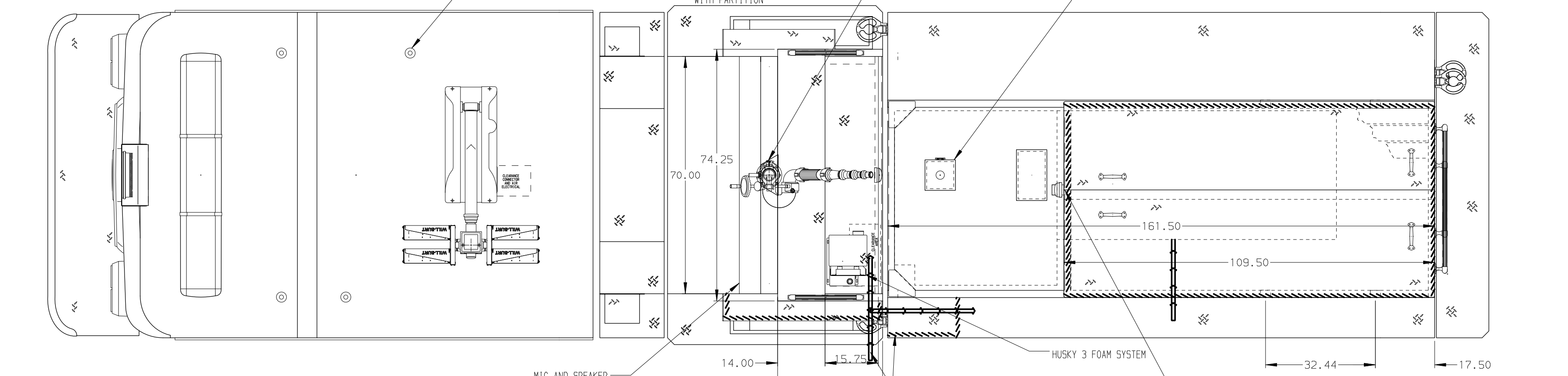


HOSEBED CAPACITIES  
 ① 300' OF 3.00" W/100' OF 1.75" D.J. POLY HOSE  
 ② 500' OF 2.50" D.J. POLY HOSE  
 ③ 1000' OF 5.00" D.J. POLY HOSE



ALUMINUM BODY

SIDE ROLL AND FRONTAL IMPACT PROTECTION

NOTE  
 DIMENSIONS SHOWN ARE APPROXIMATE AND ARE SUBJECT TO MINOR DEVIATIONS AS MAY OCCUR OR BE NECESSARY IN CONSTRUCTION. MINOR DETAILS NOT SHOWN.

1. VOGEL LUBE SYSTEM PUMP LOCATED BEHIND PS PUMP PANEL
2. BATTERY CHARGER LOCATED BEHIND DRIVER'S SEAT
3. BATTERY CHARGER INDICATOR BEHIND DRIVER'S SEAT DISPLAYED THROUGH WINDOW
4. DRIP PAN GUARD FOR ROLL-UP DOOR LOCATED IN COMPARTMENTS LS1,LS2,LS3,RS1,RS2,RS3,B1
5. ONE FIXED FULL WIDTH/DEPTH SHELF IN COMPARTMENTS LS1,LS3,RS3,B1
6. ONE ADJUSTABLE TILTING SLIDE-OUT TRAY IN COMPARTMENTS RS1,RS2
7. ONE FLOOR MOUNTED SLIDE-OUT TRAY IN COMPARTMENTS LS1,LS3,RS1,RS3,B1
8. SWING-OUT TOOL BOARD WITH PEGBOARD PATTERN IN COMPARTMENT LS2
9. CABLE RELEASE ON ALL TILT DOWN TRAYS
10. ONE VERTICAL PEGBOARD PARTITION IN COMPARTMENT RS3
11. ALUMINUM PEGBOARD ON BACK WALL IN COMPARTMENTS LS1,LS2,LS3
12. MOUNTING RACK FOR (4) FIRE EXTINGUISHERS LOCATED IN COMPARTMENT RS3
13. 120V DUPLEX RECEPTACLE LOCATED IN COMPARTMENTS LS1,RS1
14. ALUMINUM TREADPLATE FLOOR IN COMPARTMENT RS3

REV	DATE	BY	CH	ENFORCER
200CT21	LME	GKH		
31AUG21	LME	ZWE		
16JUN21	LME	EGO		

		JOB NO.	36337
		SCALE	DATE
TITLE	FOR	DRAWN BY	CHECKED BY
CHASSIS DATA	1500-D-775P, 750G WATER, 25G FOAM, 161" PUMPER BODY (3) SPEEDLAYS, DELUGE, HYDRAULIC LADDER RACK	LME	EGO
MAKE	CHANNANON FIRE PROTECTION DISTRICT		
MODEL	MACQUEEN EMERGENCY GROUP		
DWG NO.	36337AD	SHEET SIZE	SHEET NO.
		D	1 OF 1