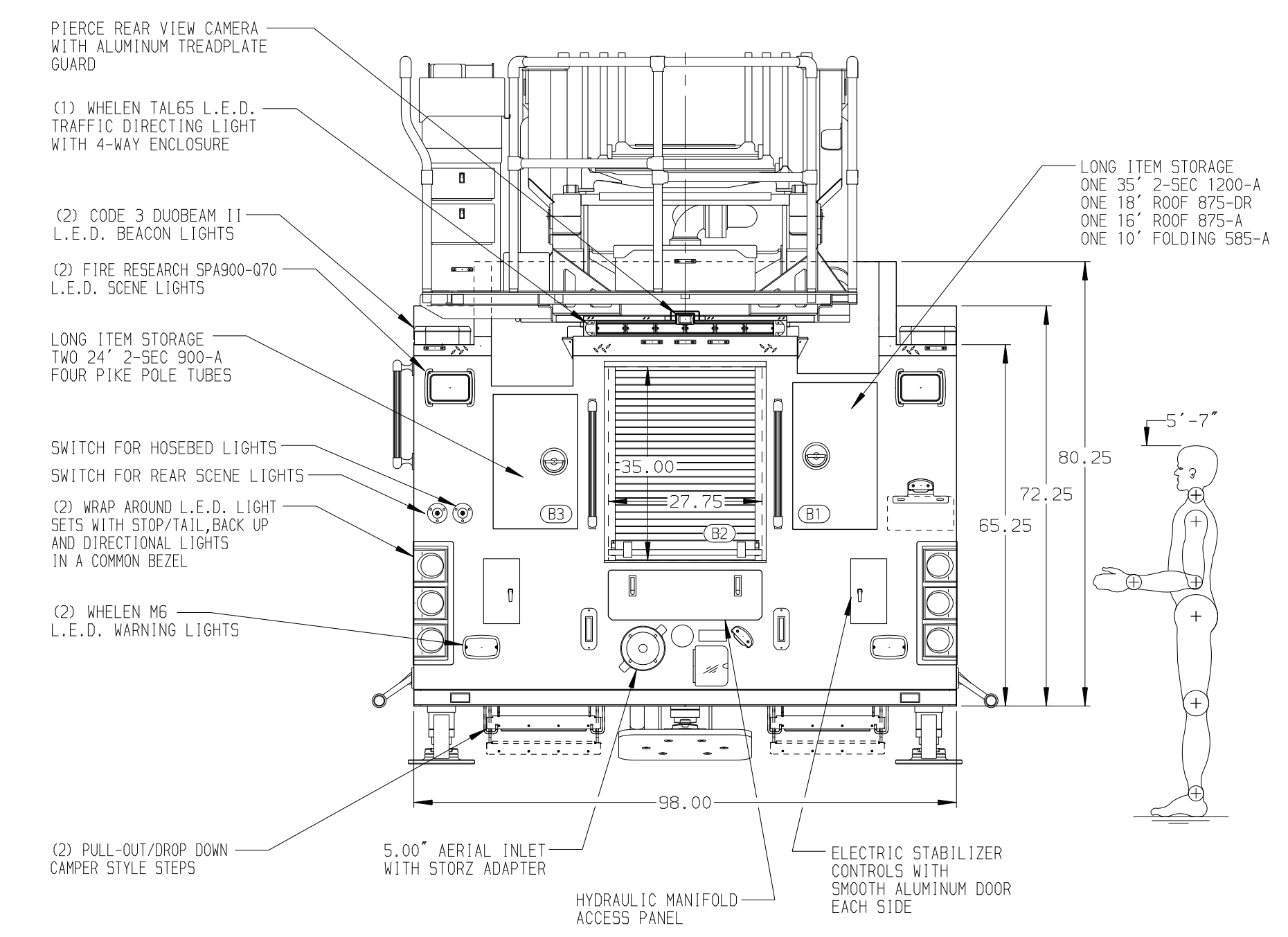
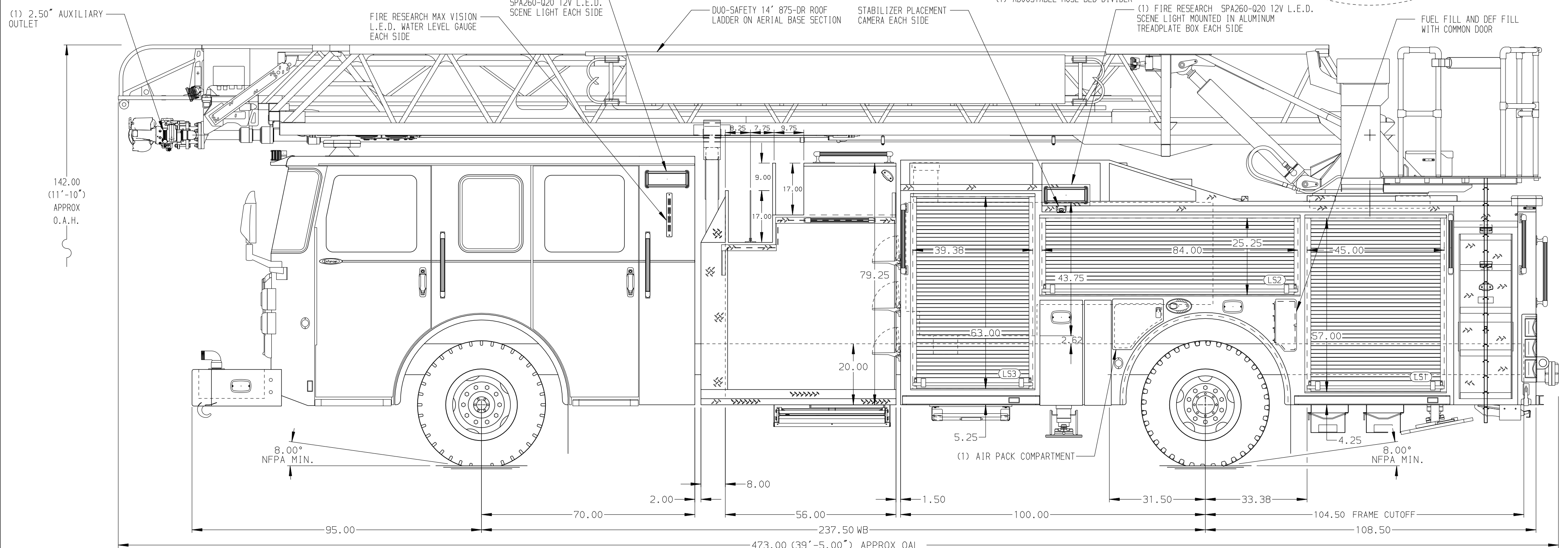


BODY	WATER TANK
107' ASL Aluminum Body	500 Gallon Poly Water Tank
COMPT, LEFT SIDE FRONT	Foam System
Full Height RollUp Forward	Foam System Not Required
COMPT, LEFT SIDE REAR	Foam Cell
Full Height RollUp Rearward	Foam Cell Not Required
COMPT, RIGHT SIDE FRONT	
Full Height RollUp Forward	
COMPT, RIGHT SIDE REAR	
Full Height RollUp Rearward	



CHASSIS	CAB	AXLE, FRONT, CUSTOM	TRANSMISSION	PUMPHOUSE	CROSSLAYS, 1.50"	SPEEDLAYS
Enforcer Chassis	7000 Enforcer Cab	22,800 Lb Dana Axle	Allison 5th Gen, 3000 EV5 P	56" Control Zone Side Mount	(2) 1.50", 200' of 1.75" D.J. Poly	Speedlays Not Required
ENGINE	BUMPER	AXLE, REAR		PUMP	CROSSLAYS, 2.50"	GENERATOR
450 HP Cummins L9 Engine	26" Underslung Painted Steel	33,500 Lb Meritor Axle		1500 GPM Hole QMAX	(1) 2.50", 200' of 2.50" D.J. Poly	Generator Not Required

**NOTE**  
DIMENSIONS SHOWN ARE APPROXIMATE AND ARE SUBJECT TO MINOR DEVIATIONS AS MAY OCCUR OR BE NECESSARY IN CONSTRUCTION. MINOR DETAILS NOT SHOWN.

- 120V SHORELINE RECEPTACLE LOCATED ON THE DRIVER'S SIDE SEAT RISER
- AIR INLET WITH DISCONNECT COUPLING LOCATED ON THE DRIVER SIDE SEAT RISER
- BATTERY CHARGER LOCATED BEHIND THE DRIVER'S SEAT
- BATTERY CHARGER INDICATOR LOCATED ON DRIVER'S SEAT RISER
- FOUR WHELEN L.E.D. LIGHTS IN HOSEBED PER SHOP ORDER
- NINE ADJUSTABLE SHELVES IN COMPARTMENTS PER SHOP ORDER
- TWO FLOOR MOUNTED SLIDE-OUT TRAYS IN COMPARTMENTS PER SHOP ORDER
- NON-RAISED AERIAL PEDESTAL
- LIFTING EYE ROPE RESCUE ATTACHMENT AT AERIAL TIP
- AIR HORN CONTROL AT AERIAL TURNTABLE

- 1500 GPM HIGH FLOW WATERWAY
- LIMITED RETRACTION NOT REQUIRED

REV	DATE	BY	CH	ENFORCER
20SEP21	TKA	ZWE	MAKE	CHASSIS DATA
15SEP21	TKA	ZWE	PIERCE	TITLE
12AUG21	TKA	ZWE	MODEL	FOR
				DWG NO.

		JOB NO.	36351
		SCALE	1:24
<b>107' ASCENDANT AERIAL LADDER AND BODY ASSEMBLY</b>		DATE	09JUN21
		DRAWN BY	TKA
FORT WALTON BEACH FIRE DEPARTMENT FORT WALTON BEACH, FLORIDA		CHECKED BY	NDA
		DATE	10JUN21
<b>36351AD</b>		SHEET SIZE	D
		SHEET NO.	1 OF 1