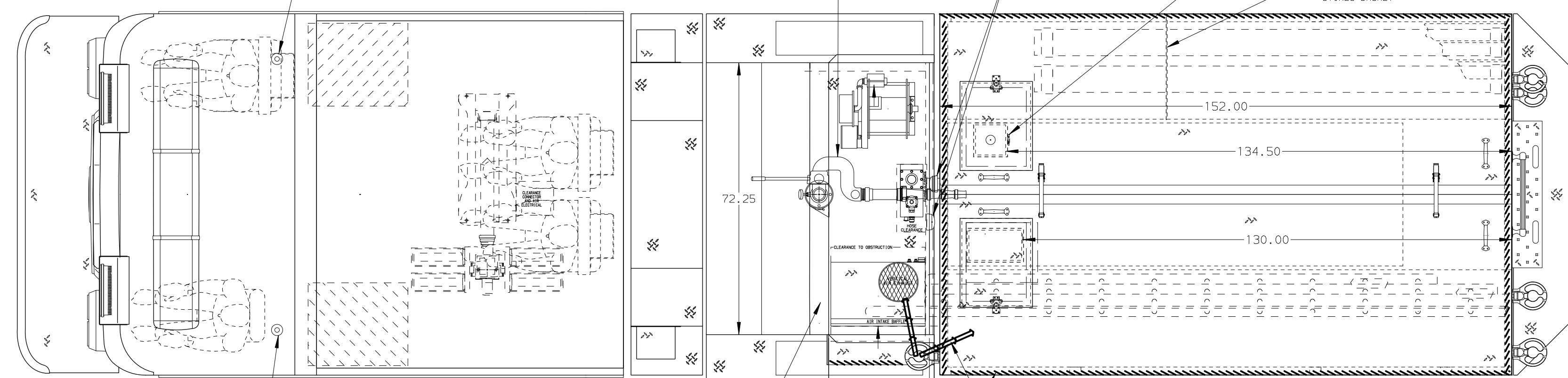
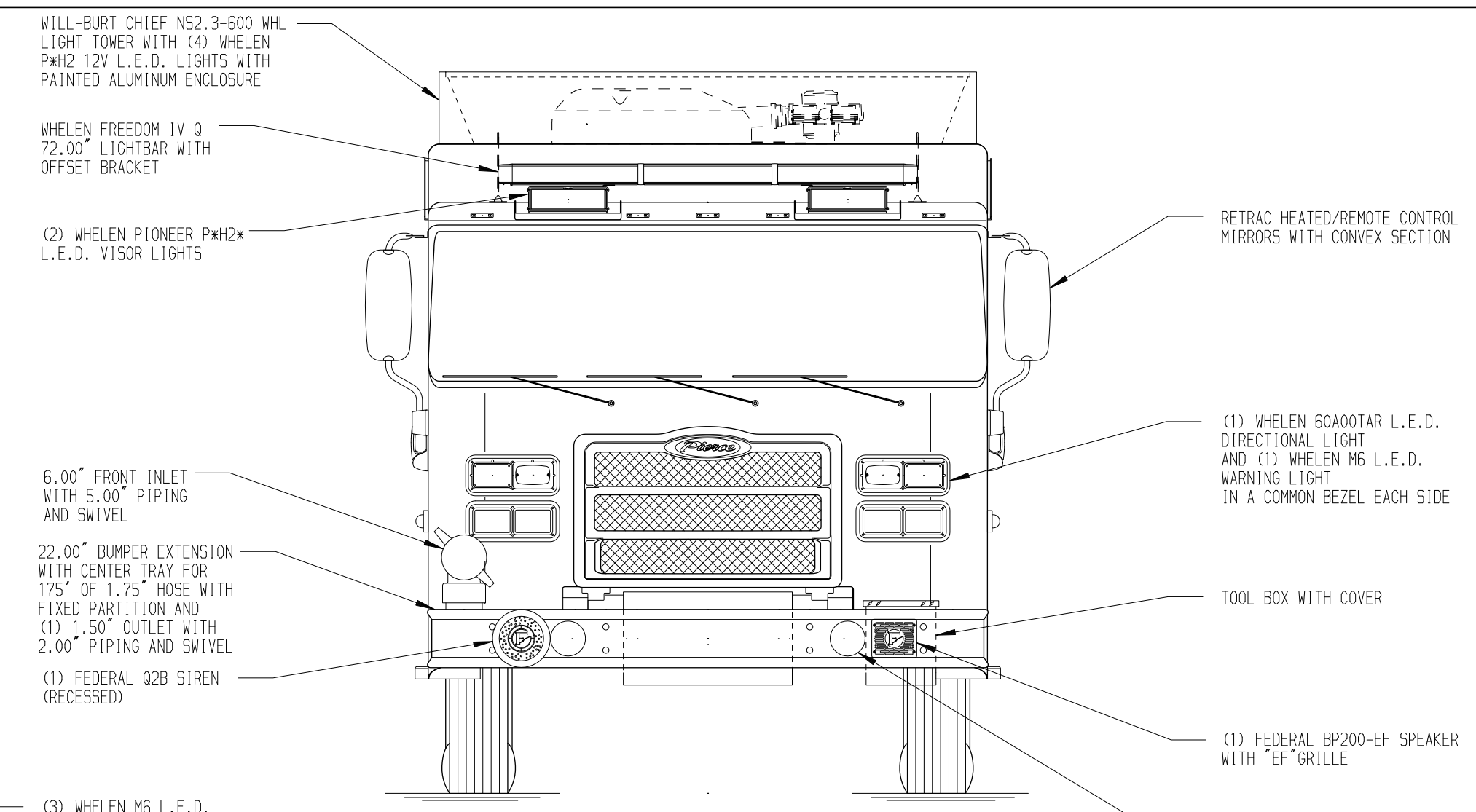
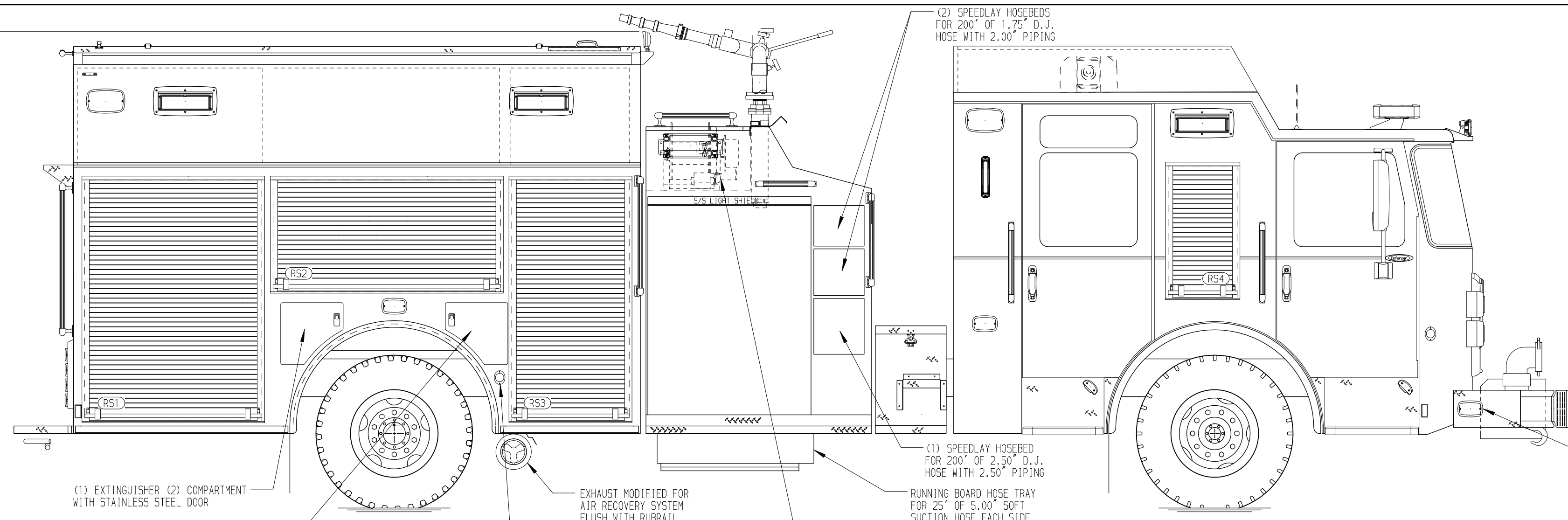
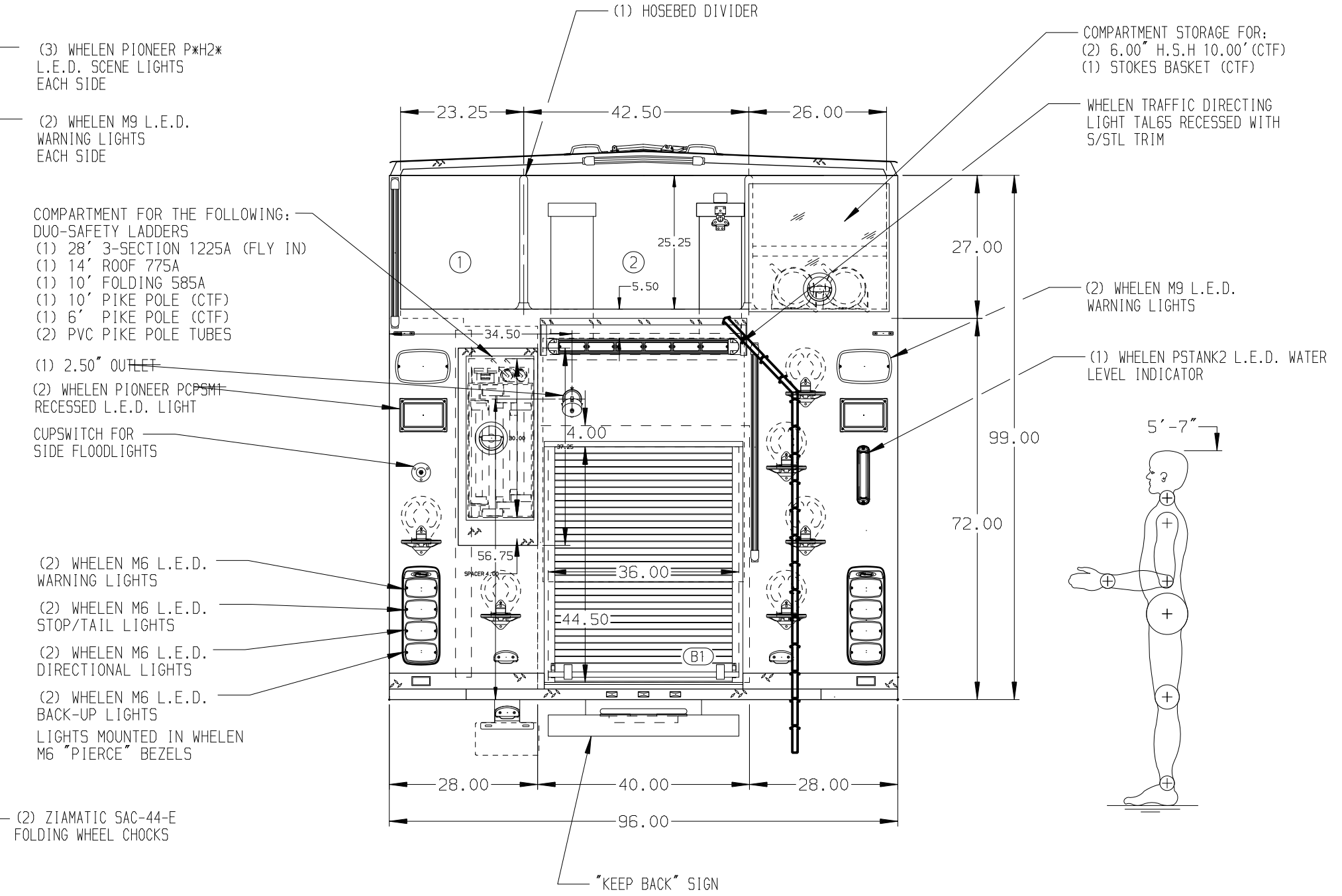
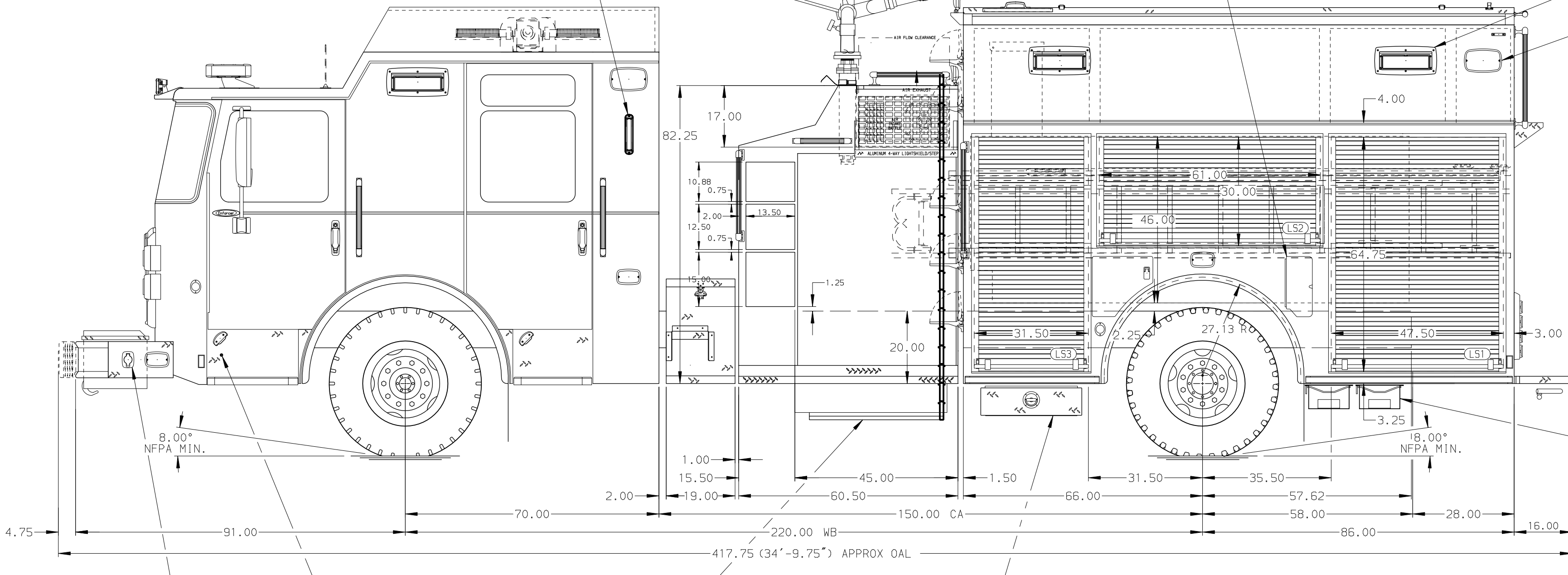


129.00
(10'-9")
APPROX
O.A.H.



HOSEBED CAPACITIES
① 200' OF 1.75" D.J. HOSE
700' OF 3.00" D.J. HOSE
② 1500' OF 5.00" D.J. HOSE



ALUMINUM BODY

SIDE ROLL & FRONTAL IMPACT PROTECTION

NOTE
DIMENSIONS SHOWN ARE APPROXIMATE AND ARE SUBJECT TO MINOR DEVIATIONS AS MAY OCCUR OR BE NECESSARY IN CONSTRUCTION.
MINOR DETAILS NOT SHOWN.

1. WOGEL LUBE SYSTEM PUMP LOCATED PER SHOP ORDER
2. BATTERY CHARGER/ AIR COMPRESSOR LOCATED IN COMPARTMENT LS3
3. BATTERY CHARGE INDICATOR LOCATED ON DRIVER'S SEAT RISER
4. ONE FULL WIDTH/ DEPTH ADJUSTABLE SHELF IN COMPARTMENT LS2, RS2, TWO IN LS1, LS3, RS1, RS3
5. ONE FLOOR MOUNTED SLIDE-OUT TRAY IN COMPARTMENT LS1, LS3, RS1, RS3, B1
6. PARTITION BETWEEN COMPARTMENTS LS1/ B1 AND RS1/B1
7. CIRCUIT BREAKER PANEL IN COMPARTMENT LS3
8. ONE 250A ADJUSTABLE SLIDE-OUT TRAY LOCATED IN COMPARTMENT RS1
9. ONE 215A ADJUSTABLE TILT/SLIDE-OUT TRAY LOCATED IN COMPARTMENT RS1
10. HURST EDRAULIC SPREADER MOUNT IN COMPARTMENT RS1

REV	DATE	BY	CH	ENFORCER	CHASSIS DATA	TITLE
▽	08NOV21	LME	DTS	MAKE	1500-D-765P 750 GAL OF WATER W/15 GAL FOAM CELL	
▽	12OCT21	JRO	PJP	PIERCE	152 BODY, (3) SPEEDLAYS, DELUGE, GENERATOR, REEL	
▽	7/26/21	LME	EGO	MODEL	LIBERTYVILLE FIRE DEPARTMENT	
					LIBERTYVILLE, ILLINOIS	
						DWG NO. 36360AD

Pierce MANUFACTURING INC.

JOB NO. 36360
SCALE 1:24
DATE
DRAWN BY LME 16JUL21
CHECKED BY EGO 16JUL21
SHEET SIZE D SHEET NO. 1 OF 1