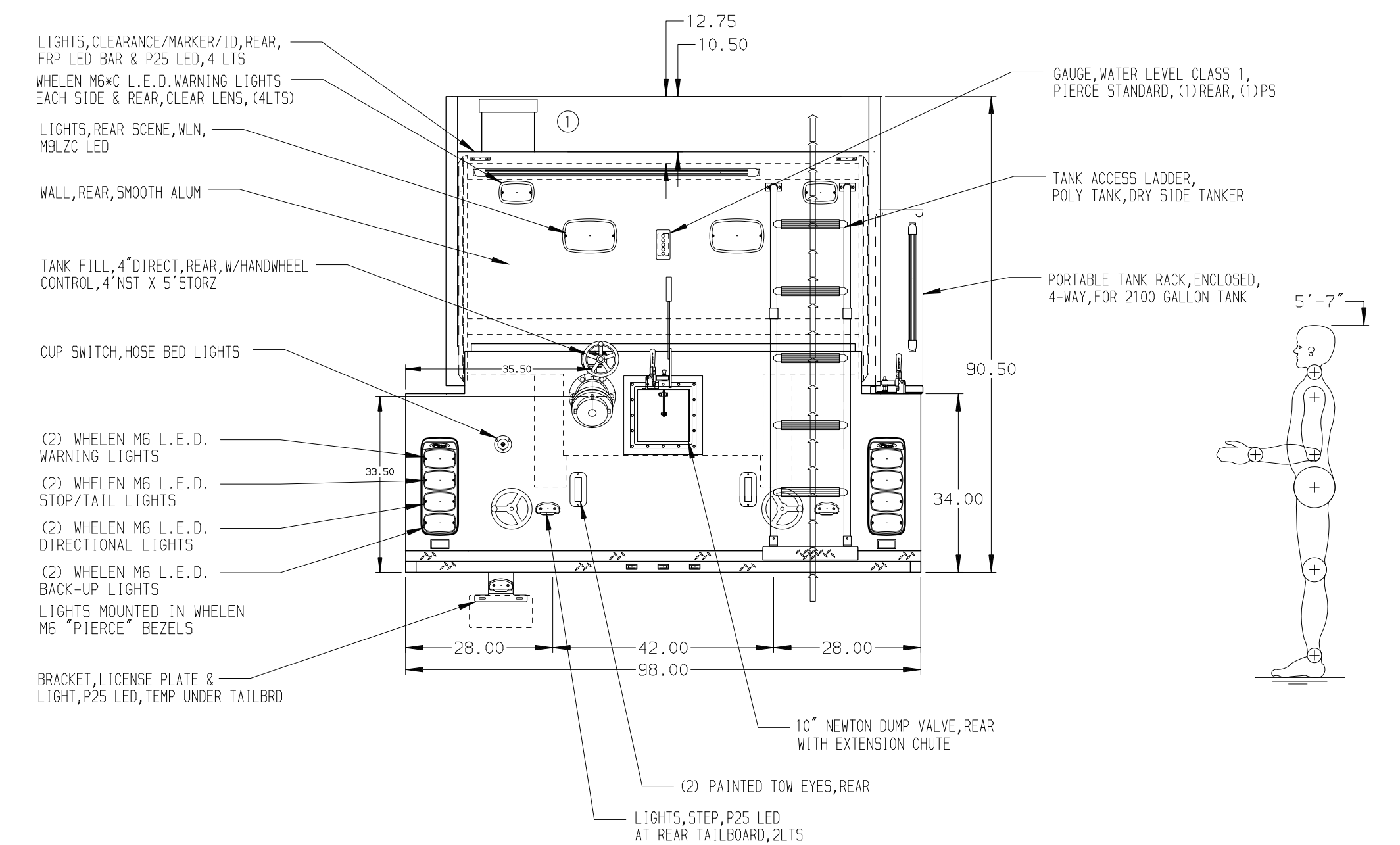
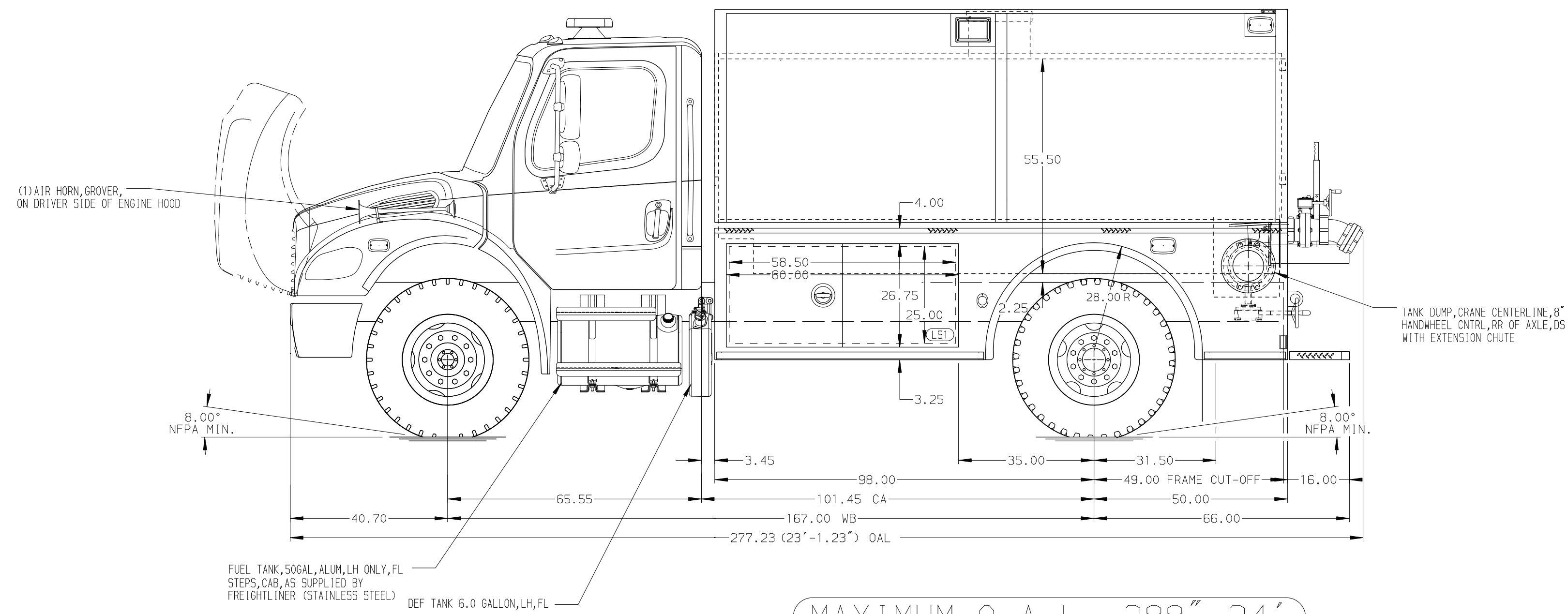


HOSEBED CAPACITIES  
 ① 200' OF 2.50" D.J. POLY HOSE



ALUMINUM BODY

MAXIMUM O.A.L. 288"-24'

**NOTE**  
 DIMENSIONS SHOWN ARE APPROXIMATE AND ARE SUBJECT TO MINOR DEVIATIONS AS MAY OCCUR OR BE NECESSARY IN CONSTRUCTION. MINOR DETAILS NOT SHOWN.

REV	DATE	BY	CH	CHASSIS DATA
17NOV21	JLA	NAS	MAKE	M2-106
19OCT21	JLA	NAS	FL	
29JUL21	JAF	RW1	MODEL	

		JOB NO.	36361
		SCALE	DATE
TITLE	2000 POLY, 148" DRYSIDE BODY NO PUMP, REAR DUMP VALVE	DRAWN BY	RHU
FOR	WINSLOW FIRE DEPARTMENT WINSLOW, ILLINOIS	CHECKED BY	RWI
DWG NO.	36361AD	SHEET SIZE	SHEET NO.
		D	1 OF 1