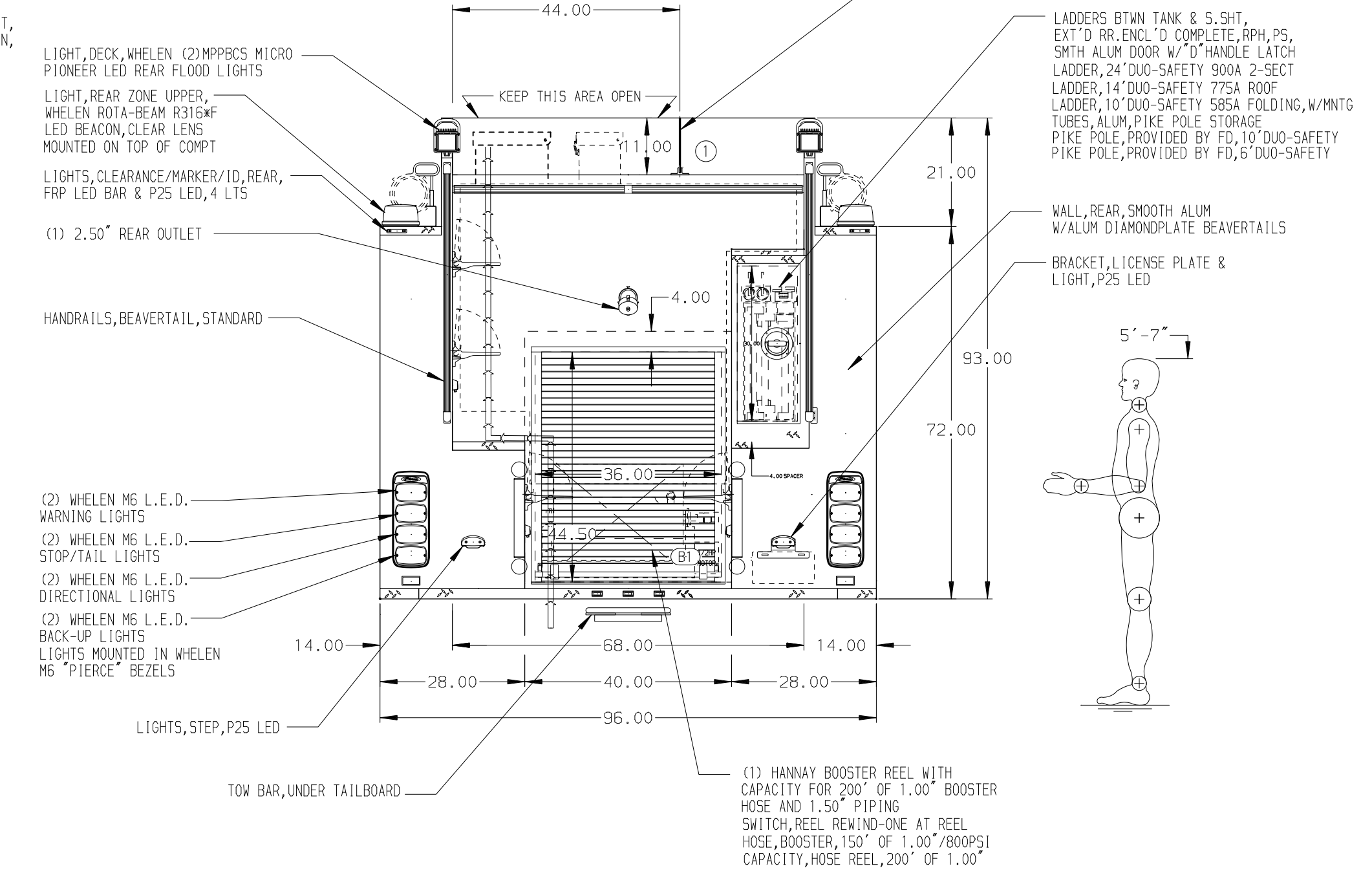
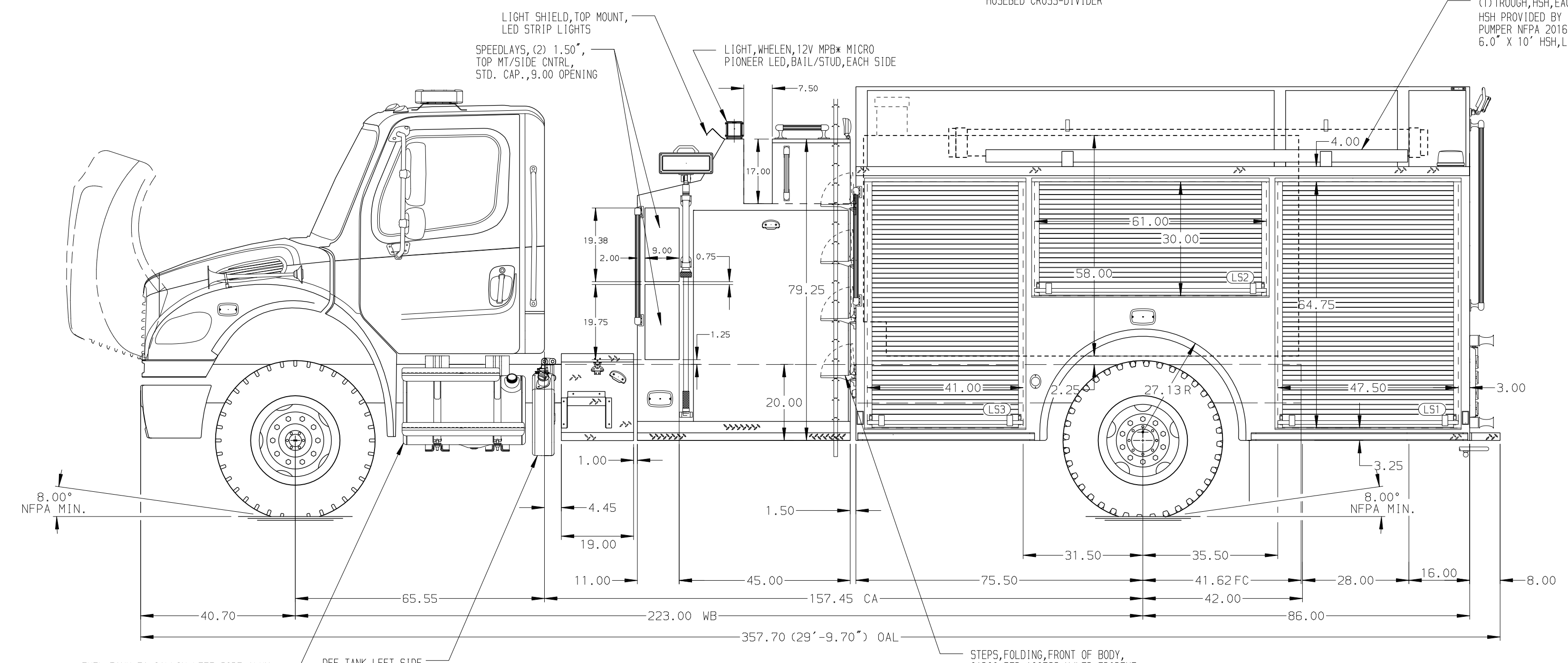


- HOSEBED CAPACITIES**
- ① 250' OF 2.50" D.J. POLY HOSE
 - 250' OF 1.75" D.J. POLY HOSE
 - 250' OF 1.75" D.J. POLY HOSE



ALUMINUM BODY

MAXIMUM O.A.L. 384"

MAXIMUM O.A.H. 116"

NOTE
DIMENSIONS SHOWN ARE APPROXIMATE AND ARE SUBJECT TO MINOR DEVIATIONS AS MAY OCCUR OR BE NECESSARY IN CONSTRUCTION. MINOR DETAILS NOT SHOWN.

REV	DATE	BY	CH	M2-106
01NOV21	JLA	DDR		
07OCT21	RHU	DDR		

<p>Pierce MANUFACTURING INC. BRADENTON, FLORIDA</p>		JOB NO.	36363
		SCALE	1:24
TITLE	1250-D-1250 WATER, 20 FOAM, 161" BDY, LS/RS FULL HGT FDLR 45" TOP MOUNT, (1) 1.5" CROSSLAYS, (2) 1.5" SPEEDLAYS	DRAWN BY	RWI
FOR	CASTALIA FIRE DEPARTMENT CASTALIA, IOWA	CHECKED BY	JLA
DWG NO.	36363AD	SHEET SIZE	D
		SHEET NO.	1 OF 1