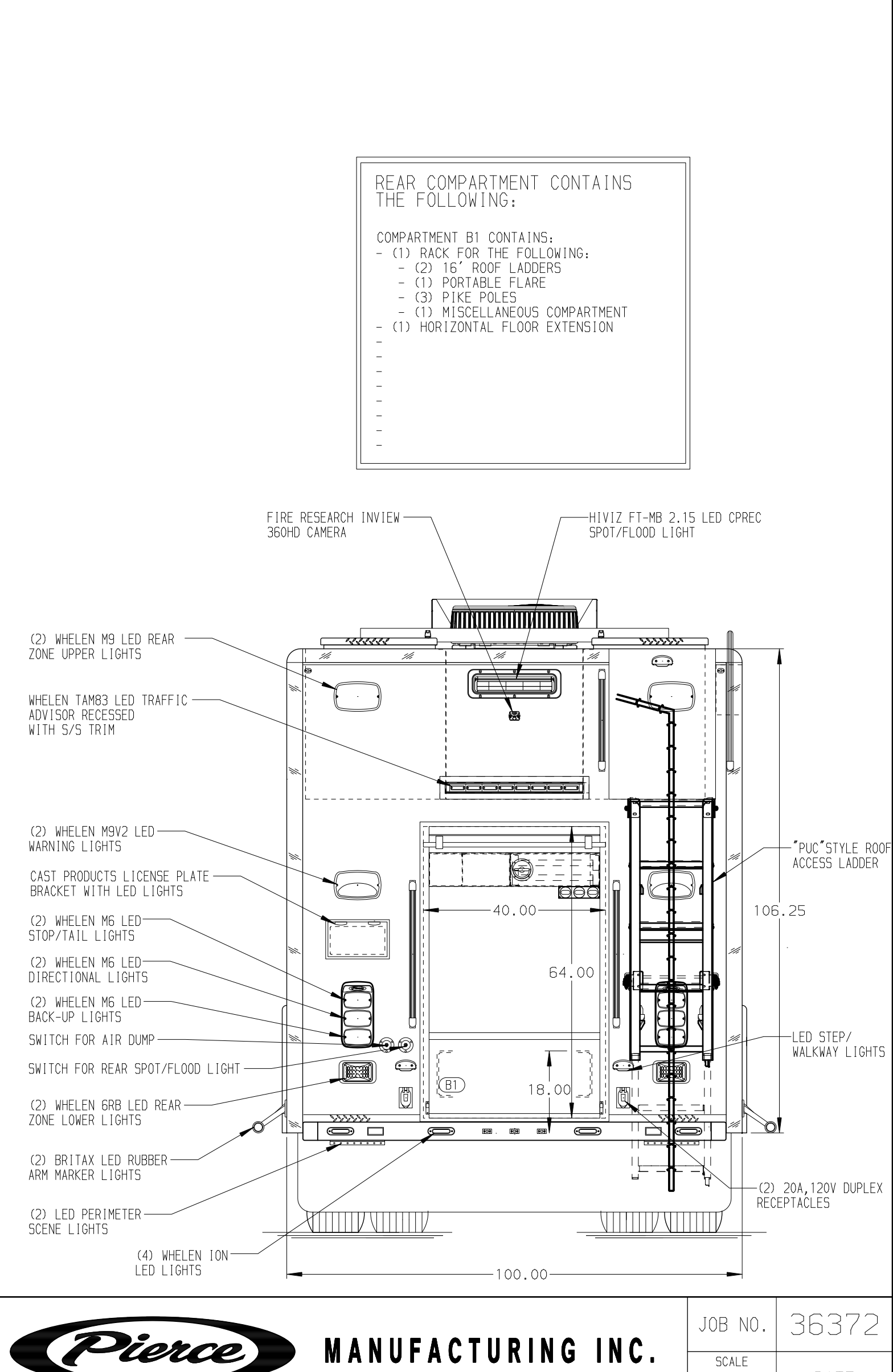
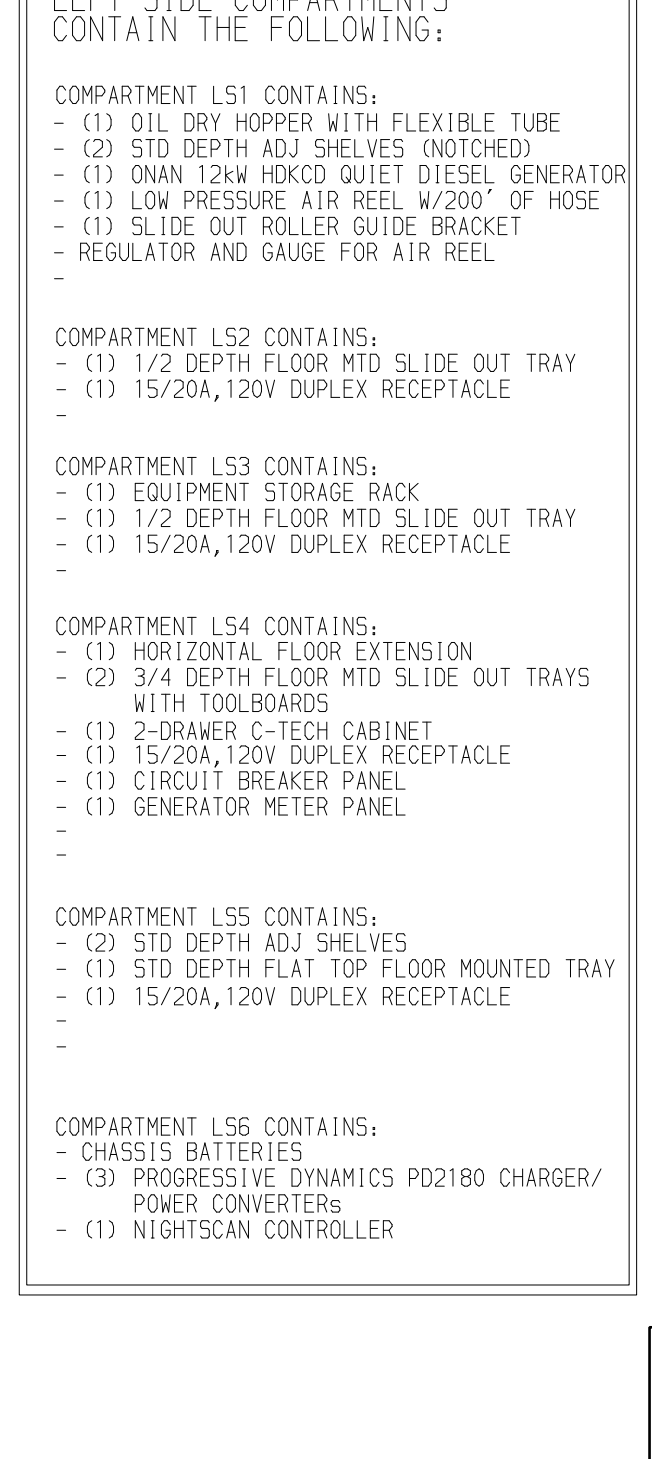
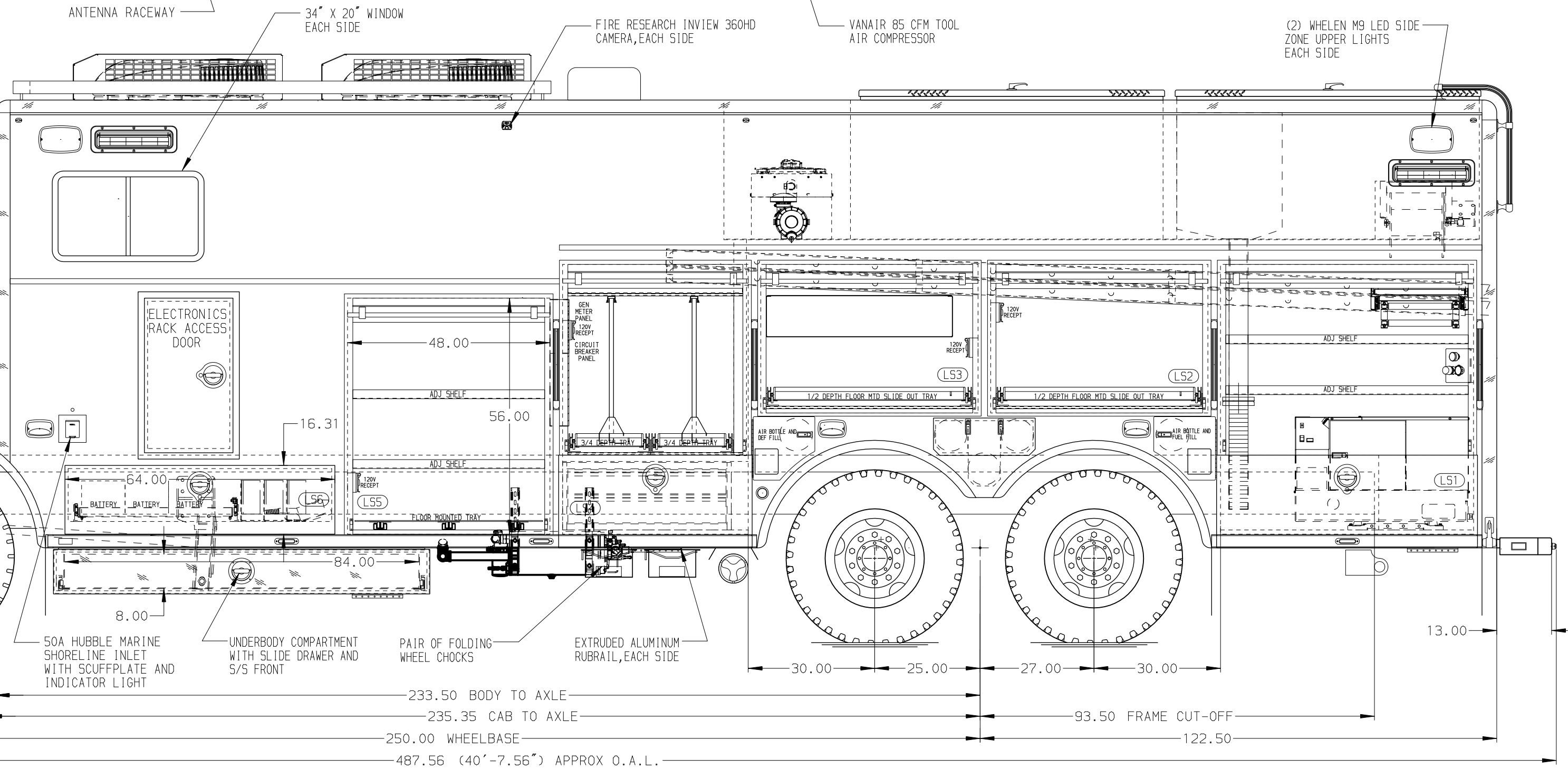
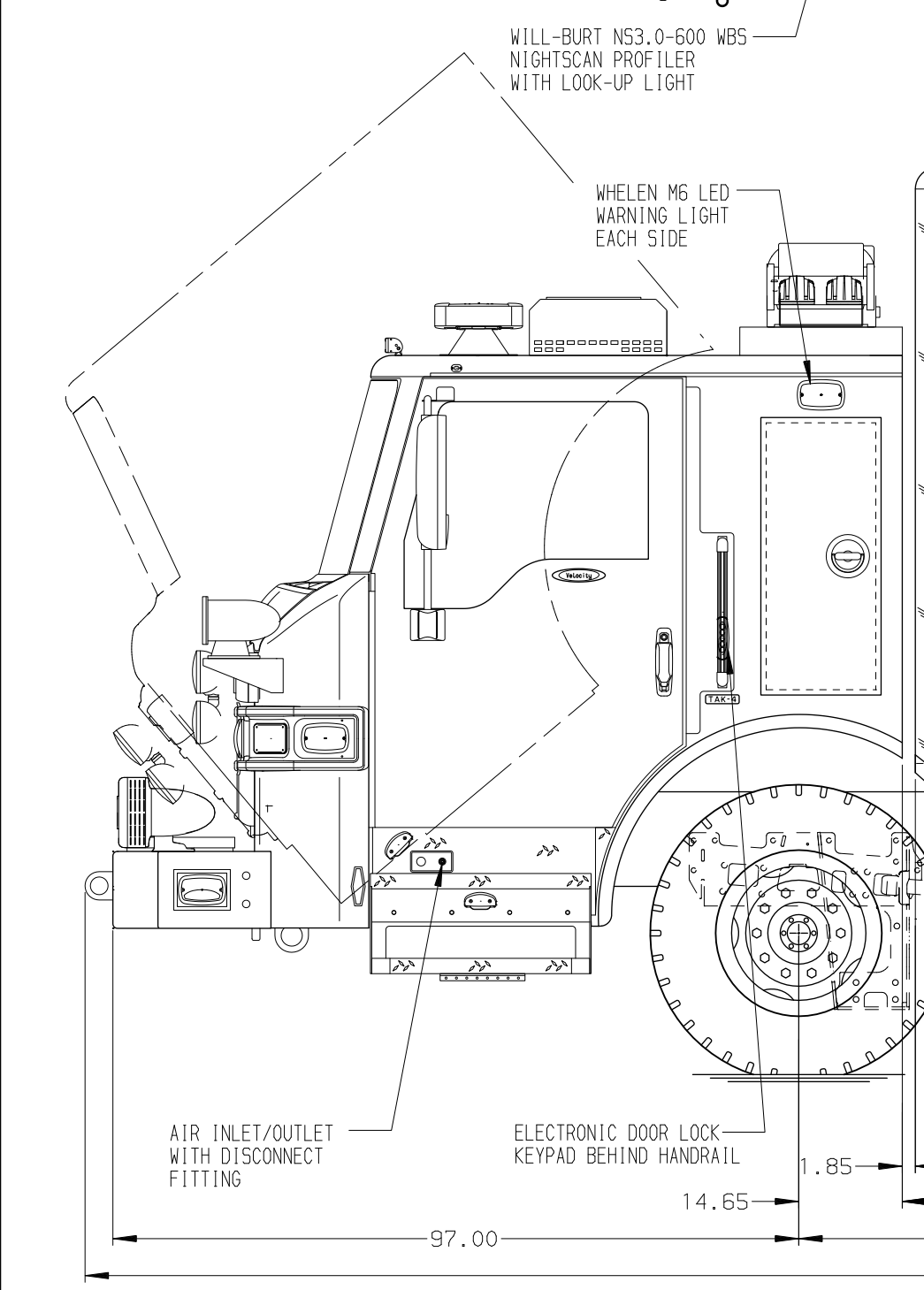
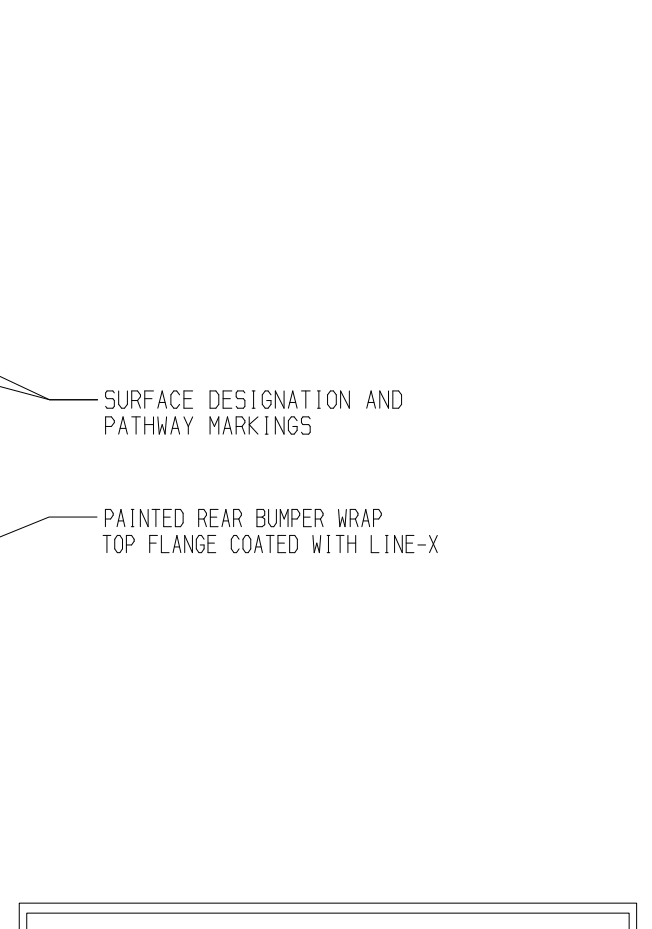
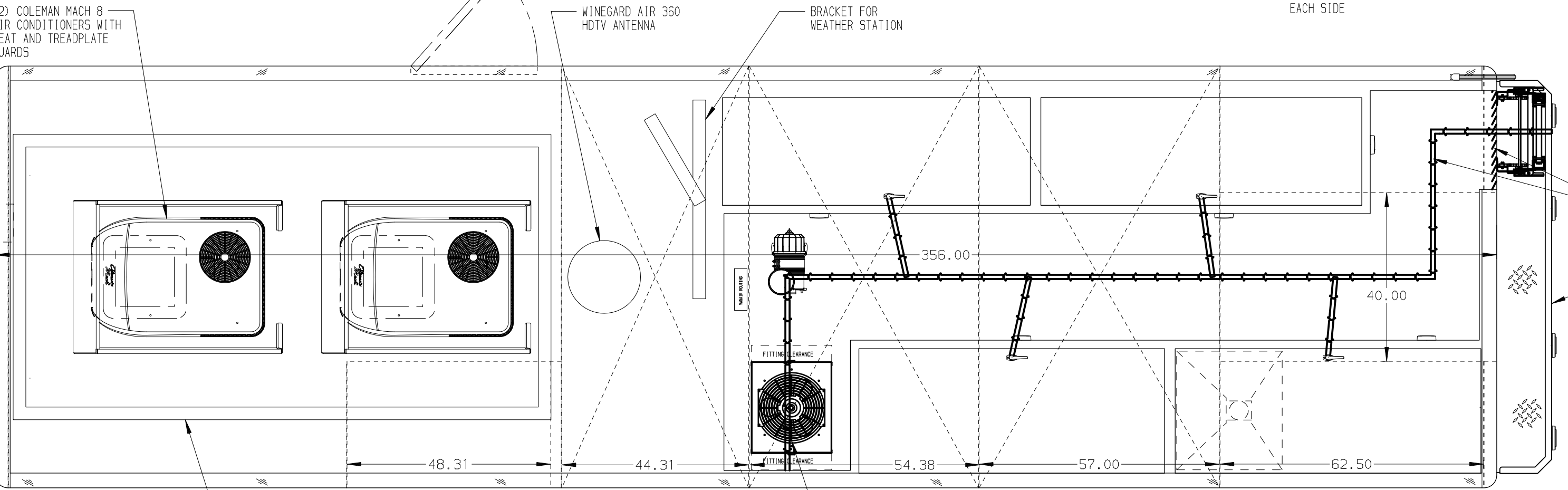
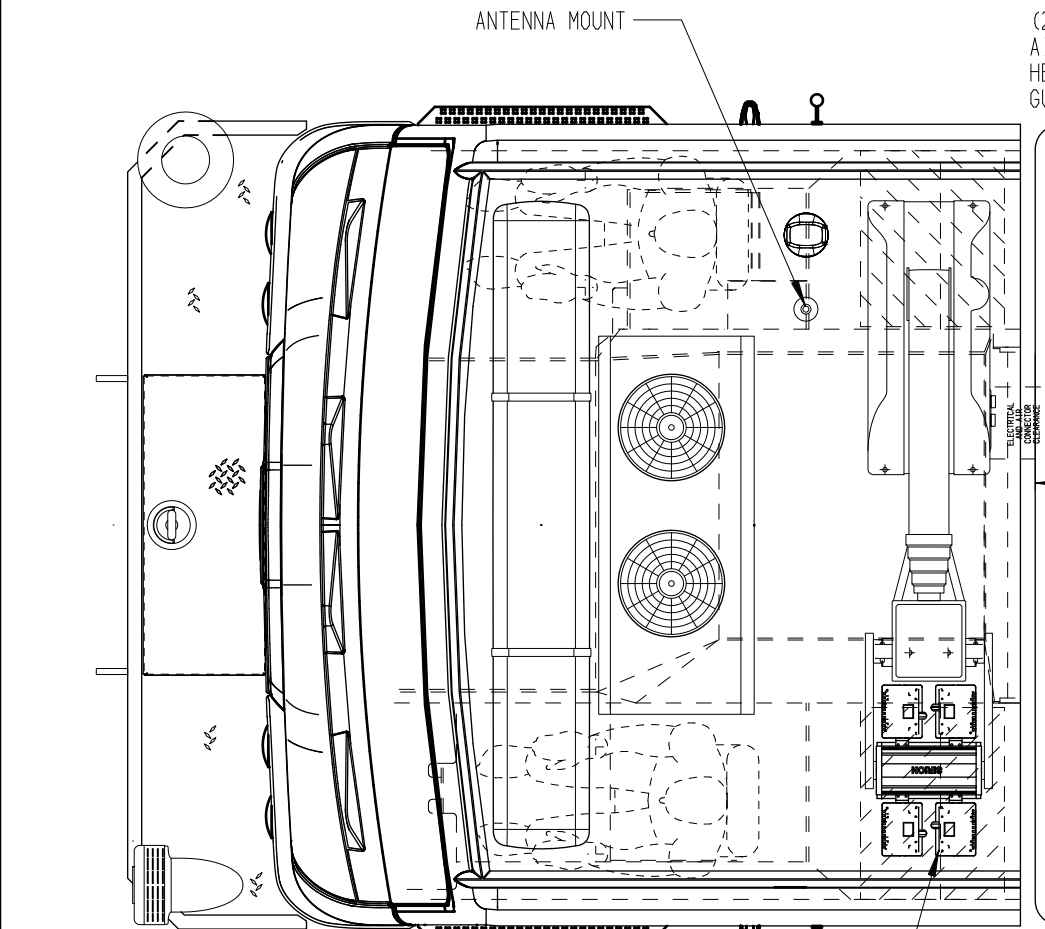
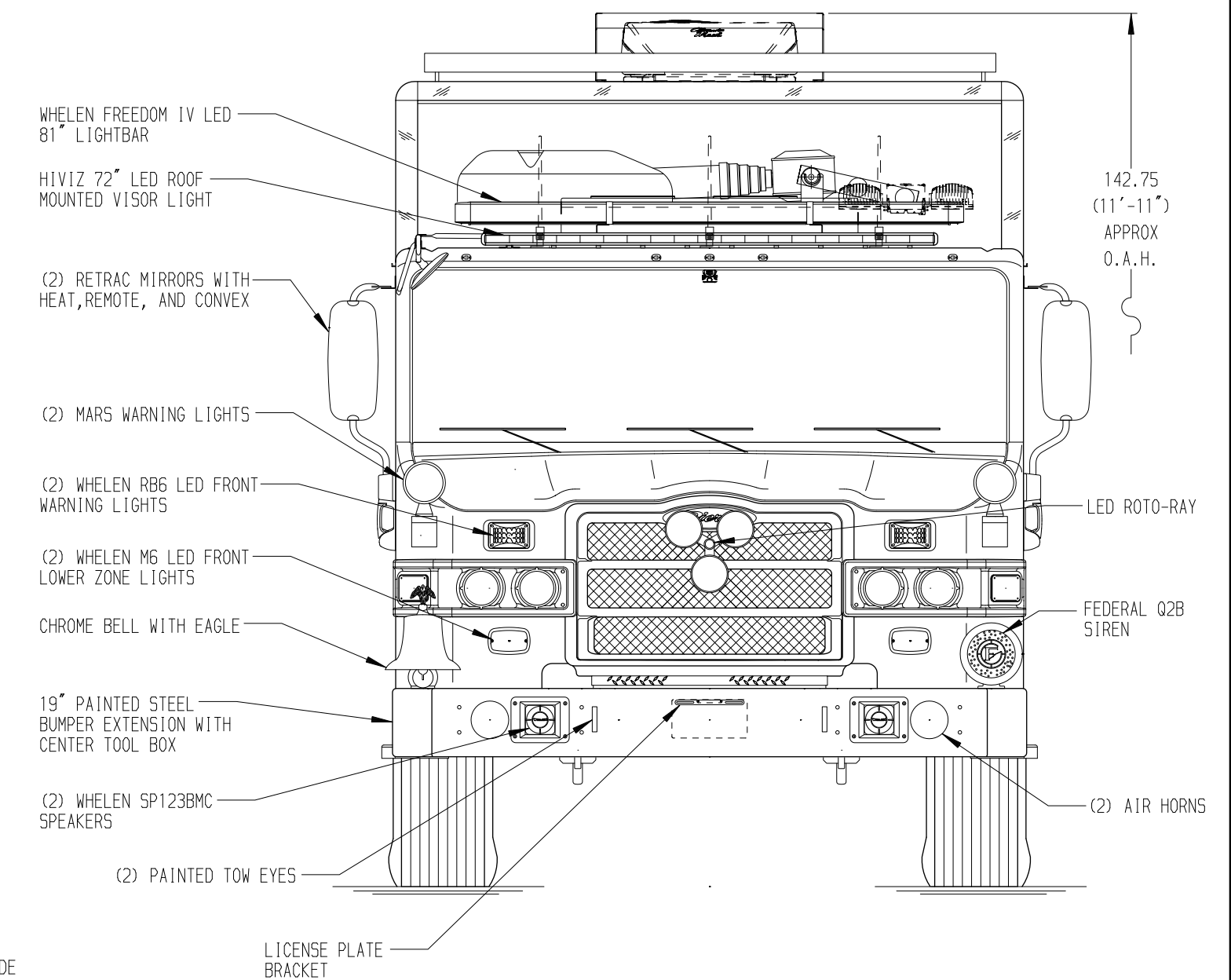
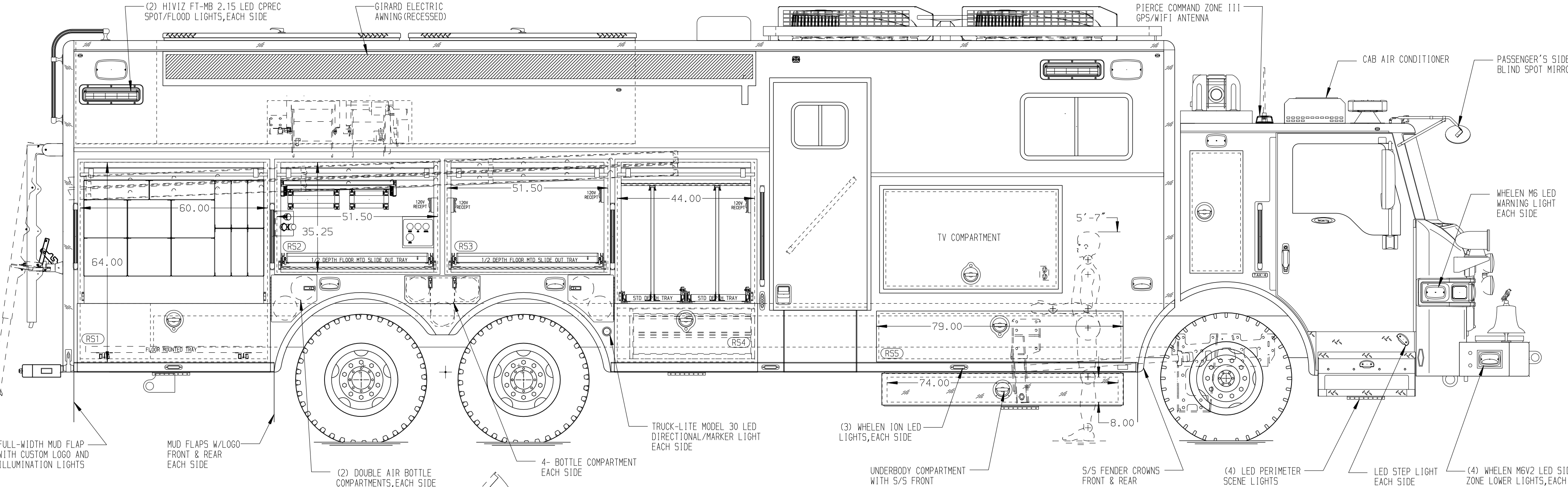


- RIGHT SIDE COMPARTMENTS CONTAIN THE FOLLOWING:**
- COMPARTMENT RS1 CONTAINS:
 - (1) STD DEPTH FLOOR MOUNTED TRAY
 - (1) RACK WITH 14 STORAGE SLOTS
- COMPARTMENT RS2 CONTAINS:
 - (1) 1/2 DEPTH FLOOR MTD SLIDE OUT TRAY
 - (1) ELECTRIC CORD REEL WITH 200' OF 10/3 YELLOW CORD
 - (1) LOW PRESSURE AIR REEL W/200' OF HOSE
 - (1) 15/20A, 120V DUPLEX RECEPTACLE
 - (1) SLIDE OUT ROLLER GUIDE BRACKET
 - REGULATOR AND GAUGE FOR AIR REEL
 - (1) VANATR SYSTEM CONTROL PANEL
- COMPARTMENT RS3 CONTAINS:
 - (1) 15/20A, 120V DUPLEX RECEPTACLE
 - (1) 1/2 DEPTH FLOOR MTD SLIDE OUT TRAY
- COMPARTMENT RS4 CONTAINS:
 - (1) HORIZONTAL FLOOR EXTENSION
 - (2) STD DEPTH FLOOR MTD SLIDE OUT TRAYS WITH SIDE SLIDES AND TOOLBOARDS
 - (1) 2-DRAWER C-TECH CABINET
 - (1) 15/20A, 120V DUPLEX RECEPTACLE
- COMPARTMENT RS5 CONTAINS:
 -



NOTE
 DIMENSIONS SHOWN ARE APPROXIMATE AND ARE SUBJECT TO MINOR DEVIATIONS AS MAY OCCUR OR BE NECESSARY IN CONSTRUCTION.
 MINOR DETAILS NOT SHOWN.

- NOTES:**
1. POLISHED S/S SCUFFPLATES ON CAB DOOR JAMBS AND AROUND HANDRAILS
 2. FIRECOM 5200D INTERCOM SYSTEM
 3. FIRE RESEARCH INVIEW 360HD CAMERA MOUNTED IN THE CAB
 4. BRUSHED S/S ON FRONT/REAR BODY CORNERS AND ROOF EDGES
 5. PULL-STRAPS ON ALL BODY ROLL-UP DOORS
 6. S/S GUARDS ON ALL BODY ROLL-UP DOORS
 7. LED LIGHT STRIPS IN ALL BODY AND HATCH COMPARTMENTS
 8. (2) 15/20A, 120V DUPLEX RECEPTACLES IN HATCH COMPARTMENTS

CLEAR DOOR WIDTH KEY

AMDR ROLL UP DOORS:	-2 1/4"	13JAN22	DHE	AZU	CHASSIS DATA
GORTITE ROLL UP DOORS:	-2 1/2"	28SEP21	DHE	AZU	MAKE
PIERCE DOUBLE LIFT DOORS:	-4 1/4"	16SEP21	DHE	JJF	PIERCE
PIERCE LIFT-UP LAP DOORS:	-1 1/2"	14JUL21	DHE	AZU	MODEL
(EX: 60" F-F - 2 1/4" = 57 3/4" CLEAR)		REV	DATE	BY	CH
(F-F) = FRAME TO FRAME					VX1500

(SIDE ROLL AND FRONTAL IMPACT PROTECTION)

Pierce MANUFACTURING INC.

JOB NO. 36372

SCALE 1:24

TITLE HEAVY DUTY RESCUE WALKIN/NON-WALKIN COMBO

FOR WOODLANDS TOWNSHIP WOODLANDS TOWNSHIP, TX

DWG NO. 36372AD-SH1

DATE 06JUL21

CHECKED BY AZU

DRAWN BY DHE

BLAKE EBBEN

SHEET NO. 1 OF 1