

PUMPER BODY

Long Aluminum 2nd Gen Pumper

CHASSIS

Enforcer Chassis

CHASSIS AXLE, FRONT, CUSTOM

19,500 lb TAK-4 Axle

AXLE, REAR

24,000 lb Meritor Axle

ENGINE

450 HP Cummins L9 Engine

TRANSMISSION

Allison 5th Gen, 3000 EVS P

BUMPER

19" Extended Painted Steel

CAB

7010 Enforcer Cab

BODY WATER TANK

500 Gallon Poly Water Tank

COMPT, PUMPER, REAR

34.75" FF RollUp Rear Compt

COMPT, PUMPER, LEFT SIDE

161" RollUp Full Height Front & Rear FDLR

COMPT, PUMPER, RIGHT SIDE

161" RollUp Full Height Front & Rear FDLR

FIRE SUPPRESSION PUMPHOUSE

48" Control Zone Side Mount

PUMP

1500 GPM Waterous CSU

CROSSLAYS, 1.50"

(2) 1.50" Standard Capacity

CROSSLAYS, 2.50"

2.50" Crosslay Not Required

SPEEDLAYS

Speedlays Not Required

GENERATOR

Generator Not Required

Foam System

Husky 12 Single Agent Foam System

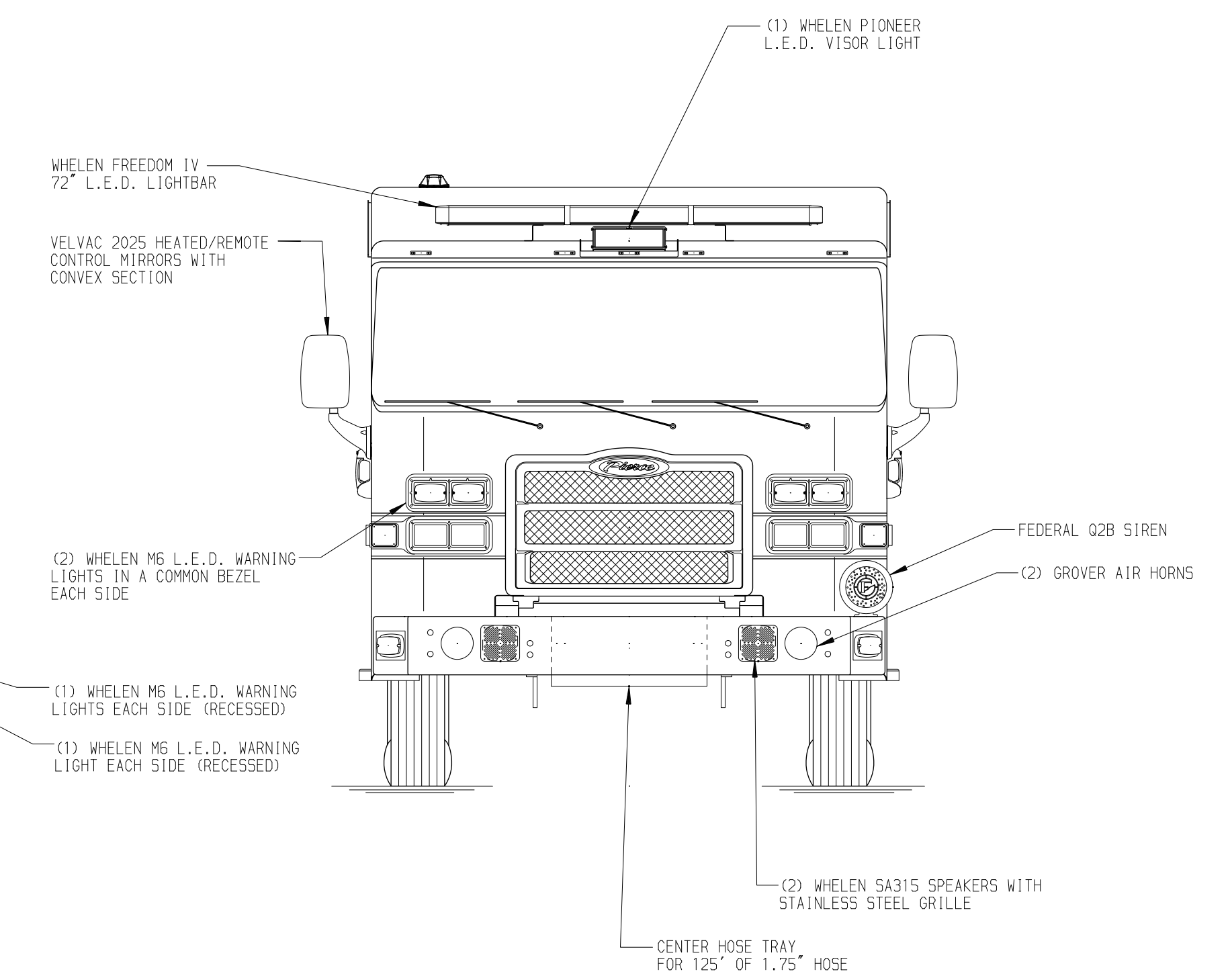
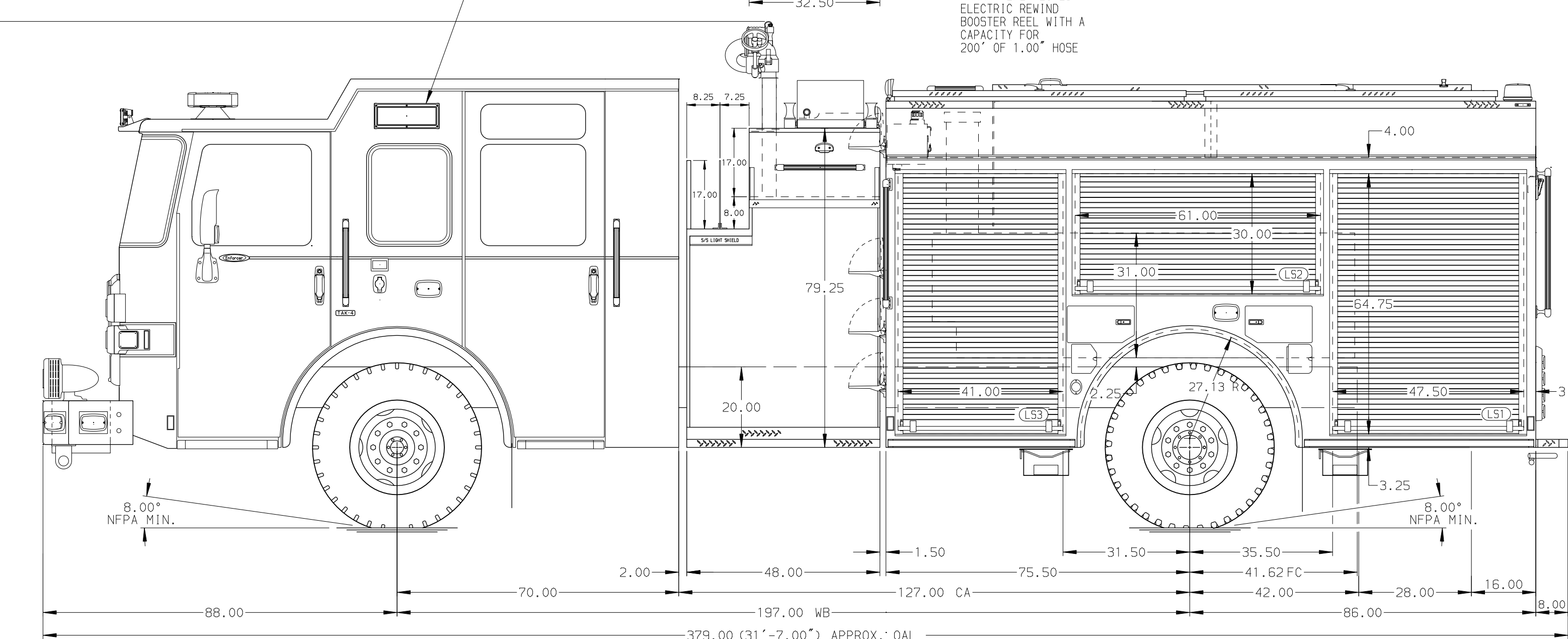
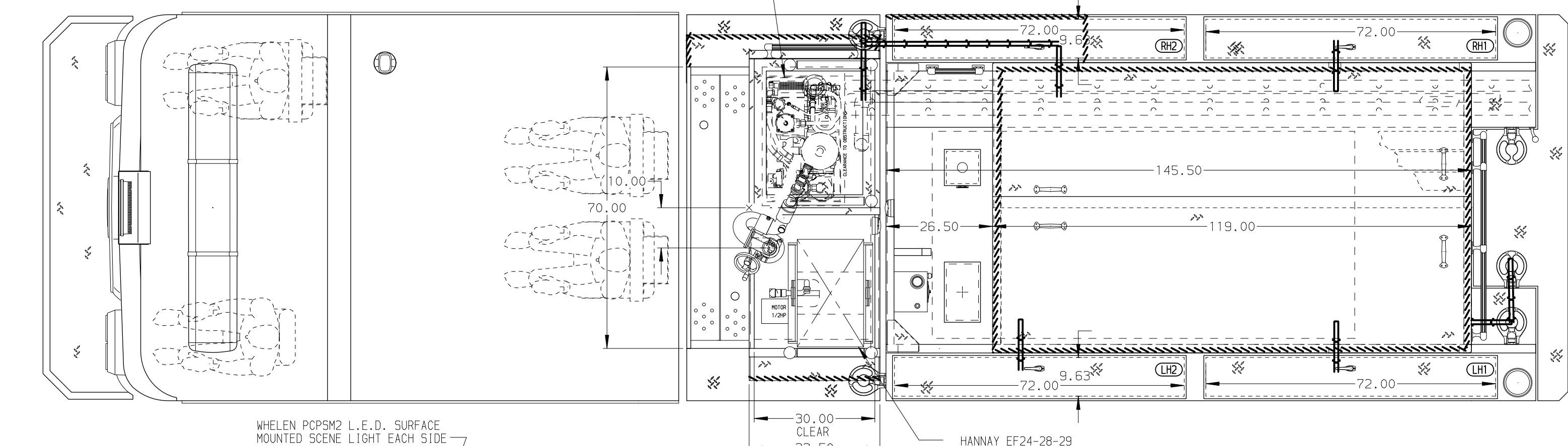
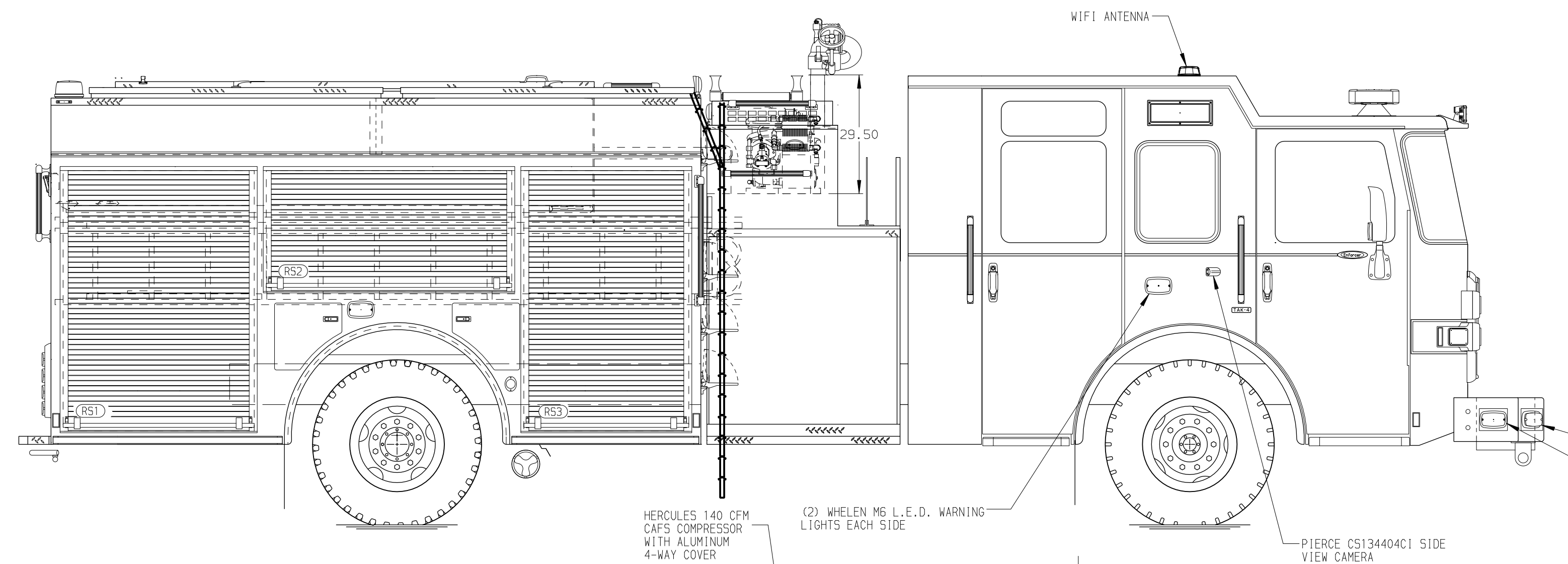
Foam Cell

30 Gallon Foam Cell, Not Reduced Water

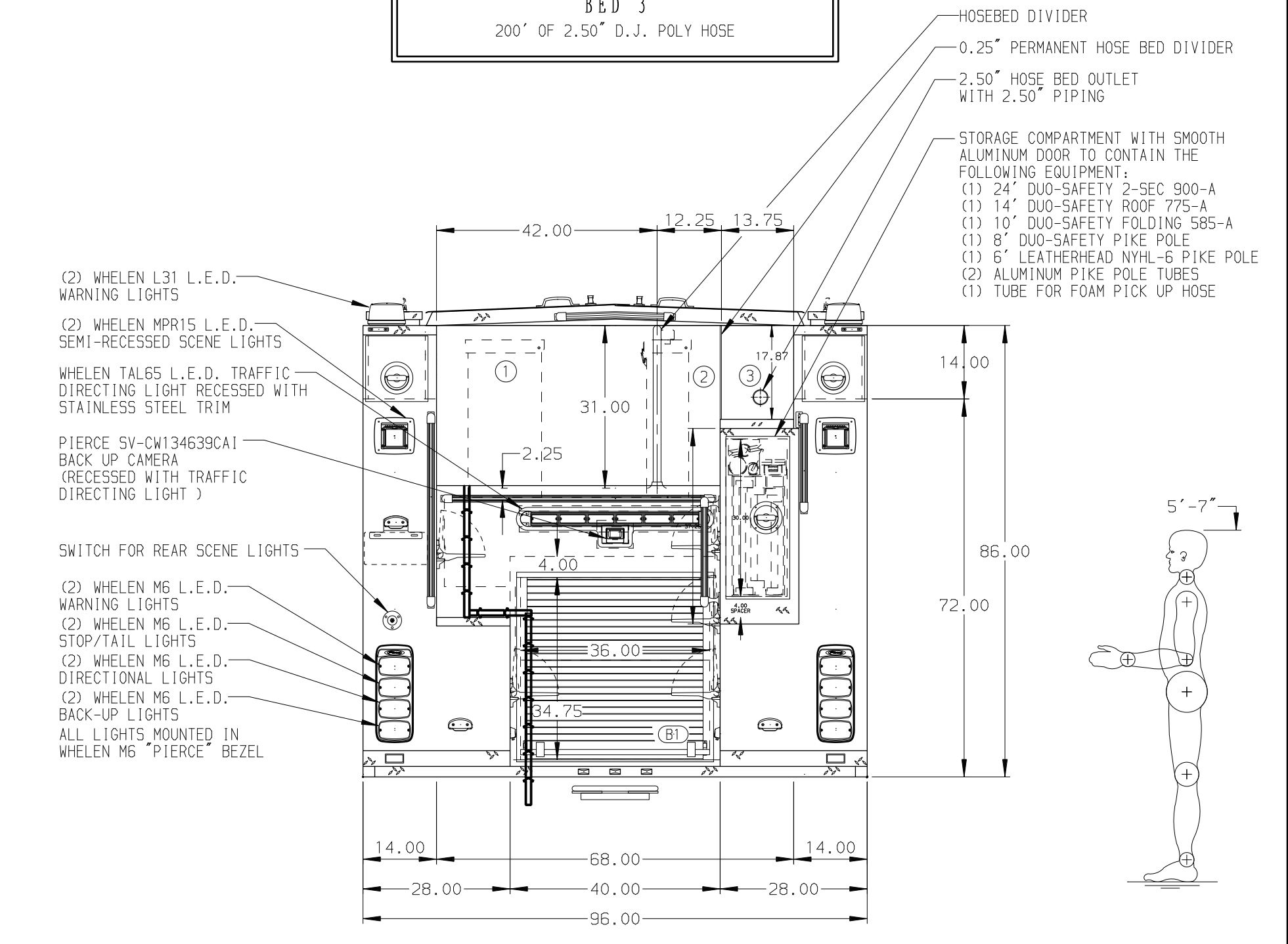
Side Roll and Frontal Impact Protection

NOTE
DIMENSIONS SHOWN ARE APPROXIMATE AND ARE SUBJECT TO MINOR DEVIATIONS AS MAY OCCUR OR BE NECESSARY IN CONSTRUCTION. MINOR DETAILS NOT SHOWN.

- ONE 1.50 OUTLET WITH 2.00 PIPING AND SWIVEL LOCATED IN CENTER BUMPER TRAY OF THE CAB
- SHORELINE RECEPTACLE WITH KUSSMAUL SUPER AUTO-EJECT LOCATED ON DRIVER SIDE OF THE CAB
- AIR INLET WITH KUSSMAUL AIR EJECT IN THE DRIVER SIDE STEPWELL
- BATTERY CHARGER LOCATED IN COMPARTMENT PER SHOP ORDER
- BATTERY CHARGE INDICATOR LOCATED ON THE DRIVER SIDE OF CAB
- NINE ADJUSTABLE SHELVES IN COMPARTMENTS PER SHOP ORDER



HOSEBED CAPACITY	
BED 1	1500' OF 5.00" D.J. POLY HOSE
BED 2	300' OF 2.50" D.J. POLY HOSE
BED 3	200' OF 2.50" D.J. POLY HOSE



		JOB NO.	36373
		SCALE	DATE
Pierce MANUFACTURING INC.		TITLE	Pierce Pumper Approval Drawing
		FOR	Fort Smith Fire Department
		DWG NO.	36373AD
		CHECKED BY	COL 14JUN21
		SHEET SIZE	SHEET NO.
			D 1 OF 1

REV	DATE	BY	CH	ENFORCER
29SEP21	MMF	JGO		PIERCE
26AUG21	MMF	JGO		MODEL