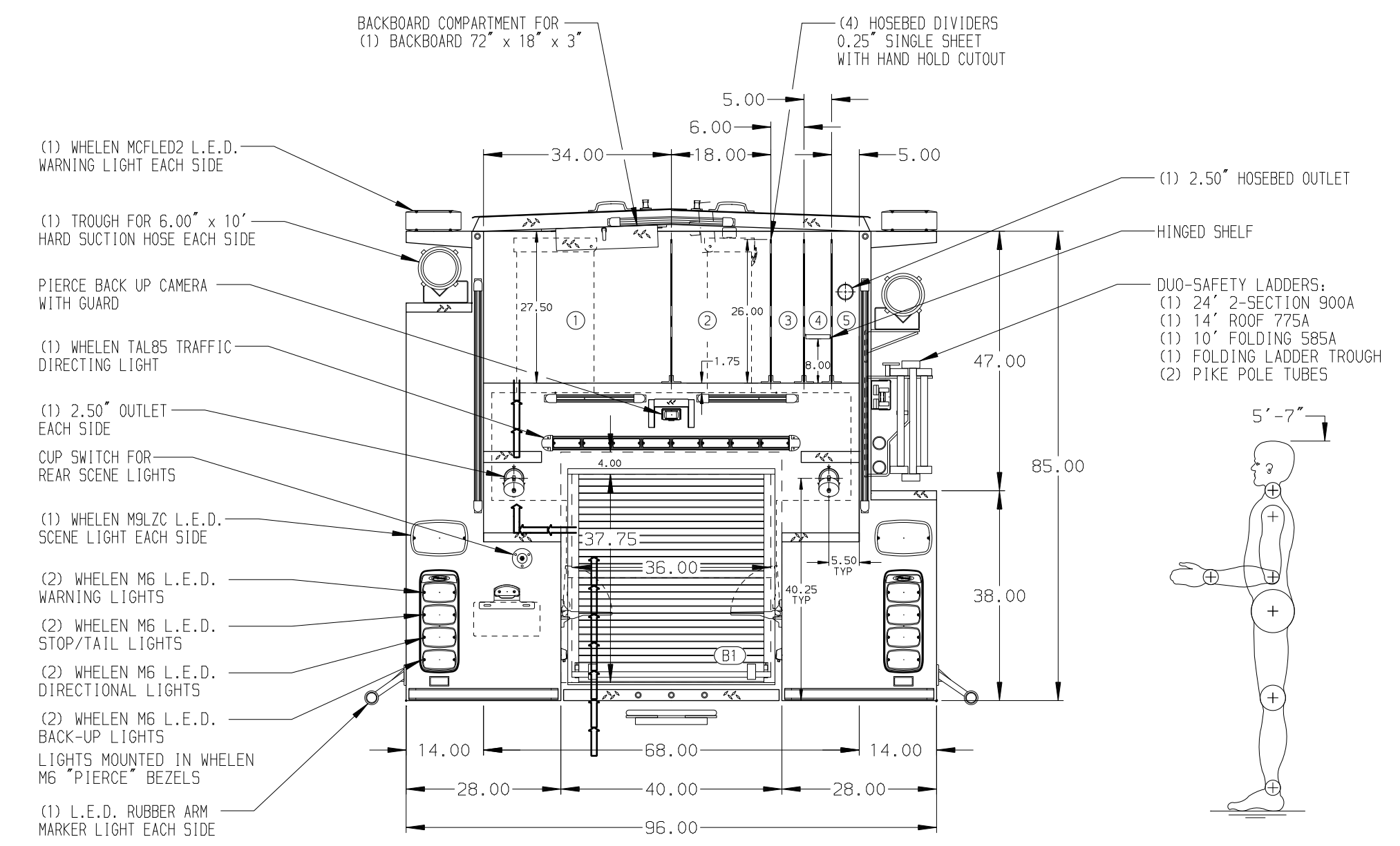
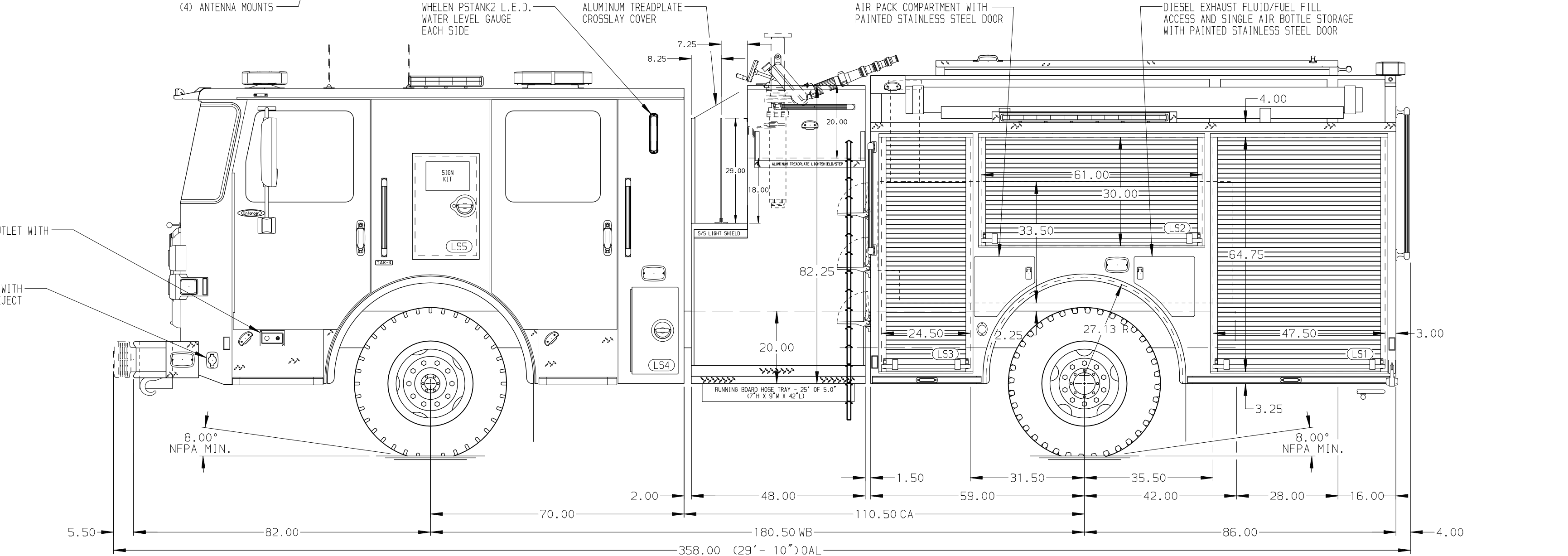


- HOSEBED CAPACITIES**
- ① 1000' OF 5.00" KEY EC010 HOSE
 - ② 800' OF 3.00" NATIONAL HOSE
 - ③ 200' OF 2.50" KEY TRU-10 HOSE
 - ④ 100' OF 1.75" D.J. POLY HOSE
 - ⑤ 200' OF 2.50" KEY TRU-10 HOSE



GALVANNEAL MAX O.A.L. 361.00" MAX O.A.H. 117.00" SIDE ROLL & FRONTAL IMPACT PROTECTION

NOTE
DIMENSIONS SHOWN ARE APPROXIMATE AND ARE SUBJECT TO MINOR DEVIATIONS AS MAY OCCUR OR BE NECESSARY IN CONSTRUCTION. MINOR DETAILS NOT SHOWN.

1. KUSSMAUL BATTERY CHARGER LOCATED BEHIND DRIVER'S SEAT
2. DRIP PAN GUARD FOR ROLL-UP DOOR LOCATED ON ALL BODY COMPARTMENTS
3. ONE ADJUSTABLE FULL WIDTH/DEPTH SHELF IN COMPARTMENTS RS1, RS2 AND B1, TWO IN LS1 AND LS3
4. ONE FIXED FULL WIDTH/DEPTH SHELF IN COMPARTMENT LS3
5. ONE FLOOR MOUNTED SLIDE-OUT TRAY IN COMPARTMENTS LS1 AND B1
6. ONE SWING-OUT TOOLBOARD IN COMPARTMENT LS2
7. TOOL BOARD MOUNTED ON THE BACK WALL OF COMPARTMENT LS2
8. CTECH DRAWER ASSEMBLY IN COMPARTMENT LS3
9. BATTERY CHARGER INDICATOR LOCATED ON DRIVER'S SEAT RISER
10. PARTITION BETWEEN COMPARTMENTS RS1/B1
11. FOAMPRO 1600 FOAM SYSTEM
12. ONE 120V DUPLEX RECEPTACLE IN COMPARTMENT LS2
13. TWO WÖRDEN HMG-SB SUPER GRIPPER WHEEL CHOCKS - LOCATIONS TO BE DETERMINED

REV	DATE	BY	CH	ENFORCER
22NOV21	JRO	DTJ		CHASSIS DATA
16NOV21	JRO	DTJ		MAKE
08OCT21	JRO	DTS		MODEL

		JOB NO.	36399-01, -02
		SCALE	1:24
TITLE 1500-600 WATER/20 FOAM, 145" PUMPER BODY DELUGE, FOAM SYSTEM, ADJUSTABLE LADDER BRACKETS FOR SOUTH PLACER FIRE PROTECTION DISTRICT GRANITE BAY, CALIFORNIA	DRAWN BY	JRO	23JUL21
	CHECKED BY	WKL	23JUL21
DWG NO.	36399AD		SHEET NO.
		D	1 OF 1