

PUMPER BODY
Long Aluminum 2nd Gen Pumper

CHASSIS
Sober FR Chassis

CHASSIS AXLE, FRONT, CUSTOM
18,000 Lb Dana Axle

AXLE, REAR
27,000 Lb Dana Axle

ENGINE
450 HP Cummins L9 Engine

TRANSMISSION
Allison 5th Gen, 3000 EVS P

BUMPER
19" Extended Painted Steel

CAB
7010 Sober FR Cab

BODY WATER TANK
750 Gallon New York Style Water Tank

COMPT, PUMPER, REAR
37.75" FF Double Rear Compt

COMPT, PUMPER, LEFT SIDE
161" RollUp Full Height & Depth Front, Full Height FDLER Rear

COMPT, PUMPER, RIGHT SIDE
161" RollUp Full Height Front & Rear FDLER

FIRE SUPPRESSION PUMPHOUSE
48" Control Zone Side Mount

PUMP
1500 GPM Waterous CSU

CROSSLAYS, 1.50"
(2) 1.50" Standard Capacity

CROSSLAYS, 2.50"
2.50" Crosslay Not Required

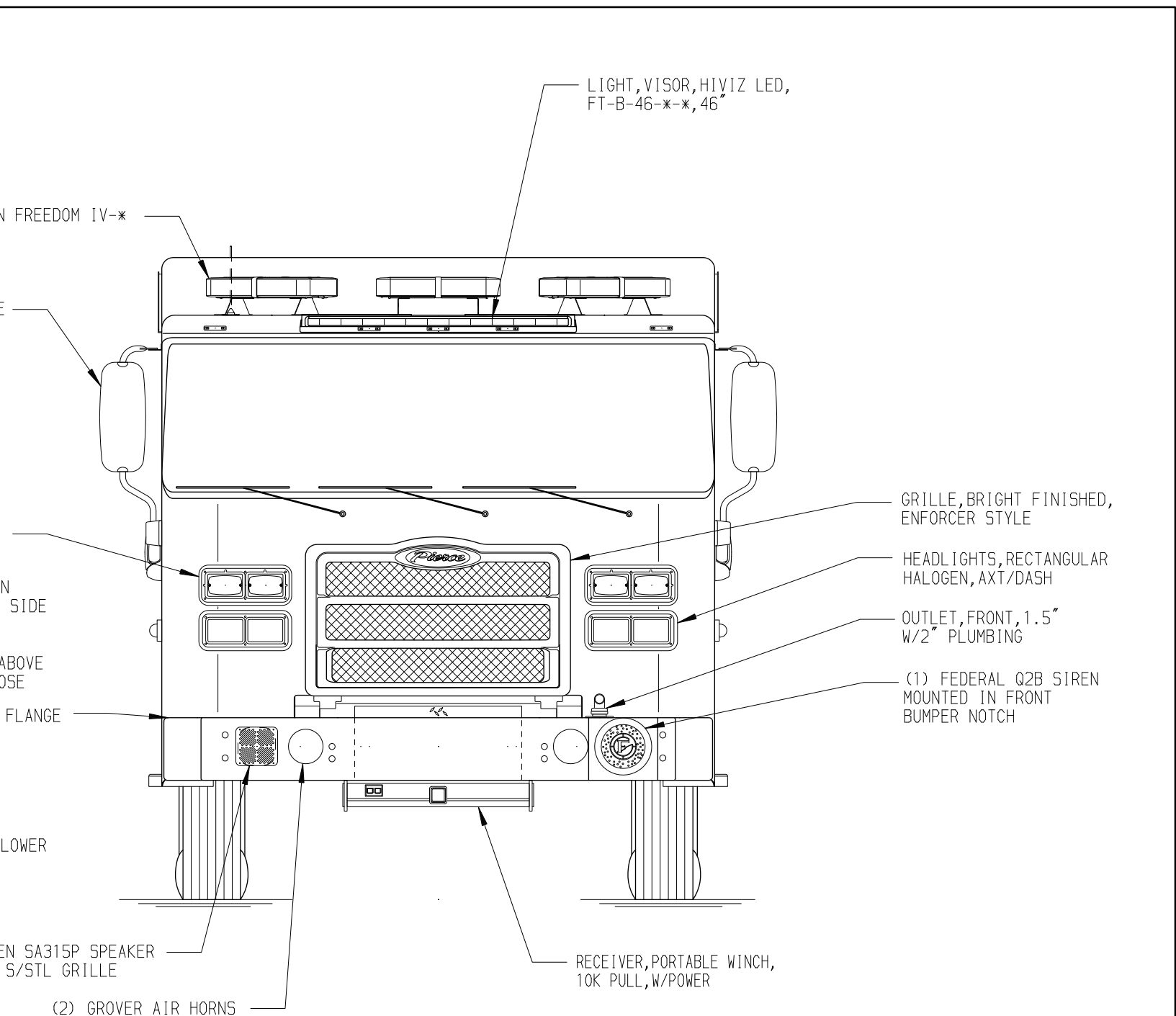
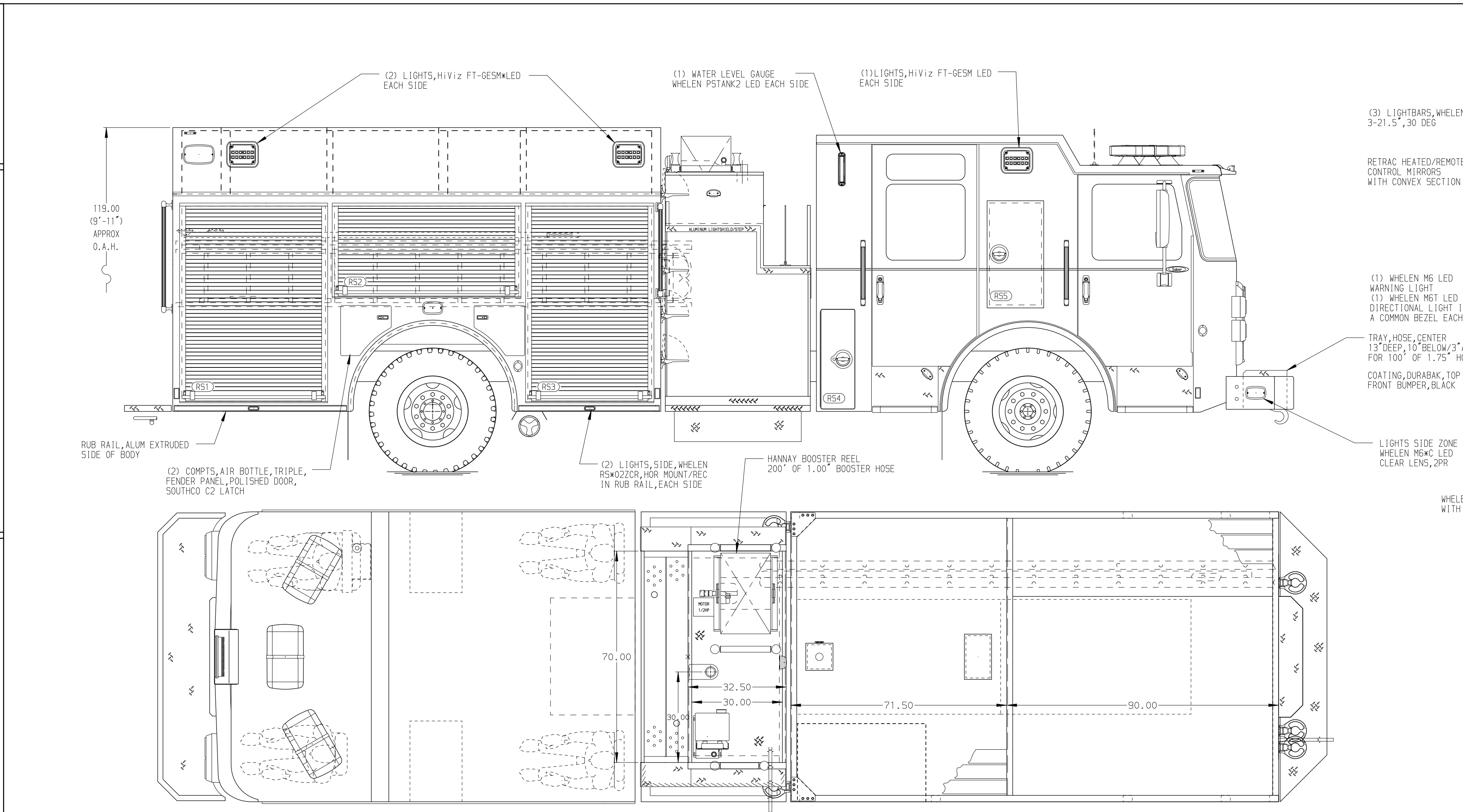
SPEEDLAYS
Speedlays Not Required

GENERATOR
Generator Not Required

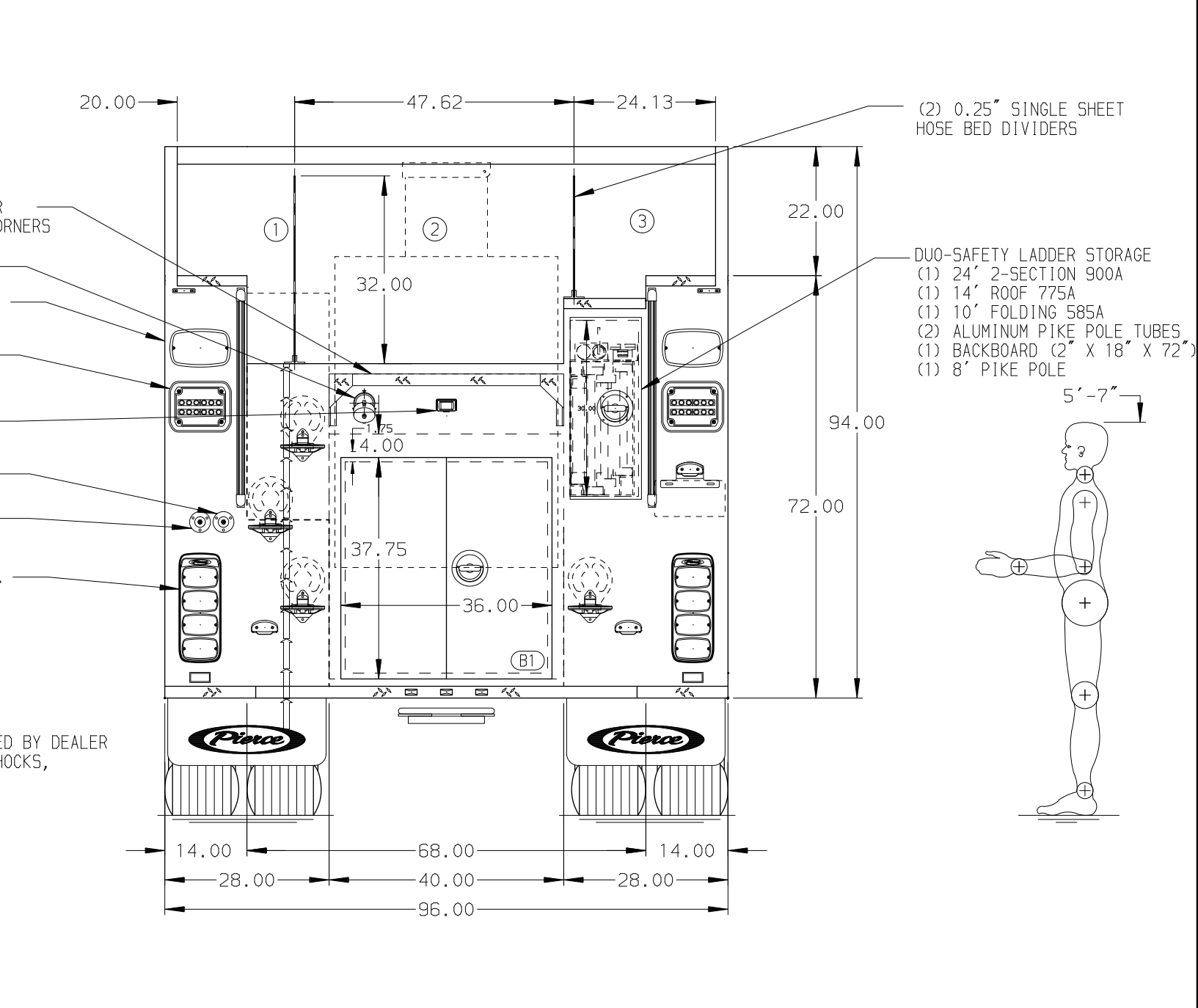
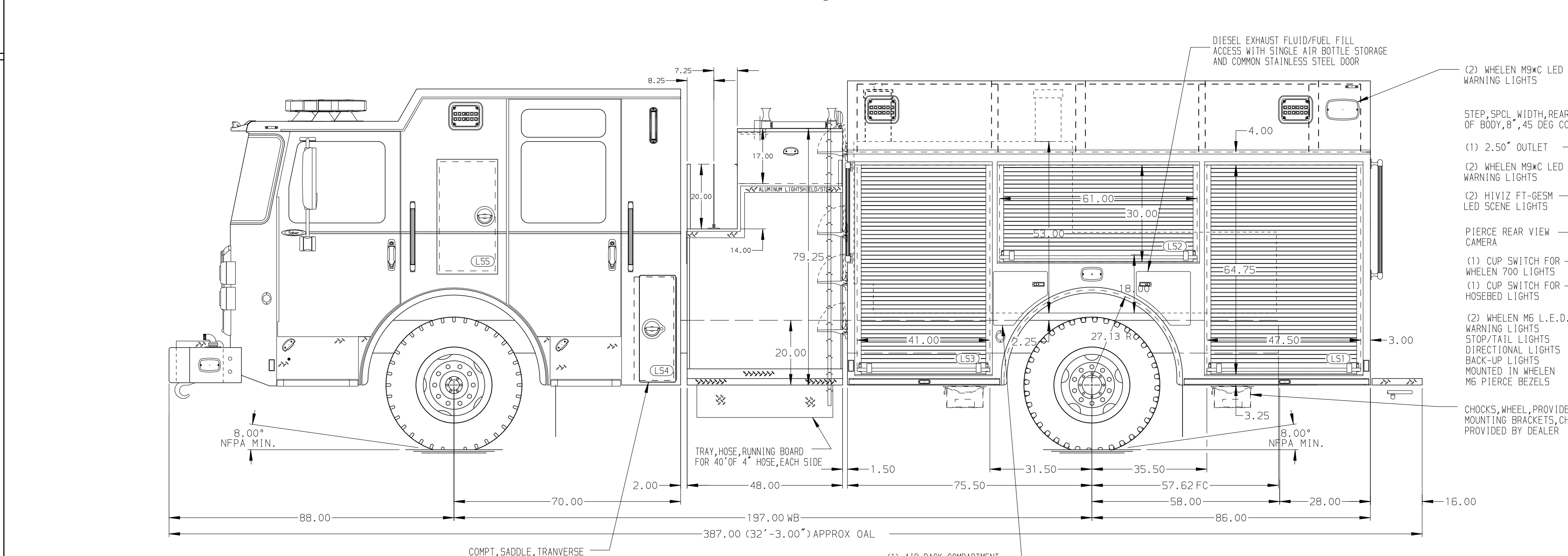
Foam System
Foam System Husky 3 Single Agent

Foam Cell
Foam Cell 30 Gallons, Non Reduce

NOTE
DIMENSIONS SHOWN ARE APPROXIMATE AND ARE SUBJECT TO MINOR DEVIATIONS AS MAY OCCUR OR BE NECESSARY IN CONSTRUCTION. MINOR DETAILS NOT SHOWN.



HOSEBED CAPACITY	
BED 1	300' OF 2.50" D.J. POLY HOSE
BED 2	1000' OF 5.00" D.J. POLY HOSE
BED 3	500' OF 3.00" D.J. POLY HOSE



Pierce MANUFACTURING INC.		JOB NO.	36403
		SCALE	DATE
		1:24	
		DRAWN BY	28JUN21
		MMF	
		CHECKED BY	29JUN21
		COL	
		SHEET SIZE	SHEET NO.
		D	1 OF 1

REV	DATE	BY	CH	SABER FR
130CT21	JLA	NAS		CHASSIS DATA
120CT21	JLA	NAS		PIERCE
05AUG21	JLA	NAS		MODEL

TITLE	Pierce Pumper Approval Drawing
FOR	EFP Demo Unit
DWG NO.	36403AD