

PASSENGER'S SIDE COMPARTMENTS CONTAIN THE FOLLOWING:

COMPARTMENT P1 CONTAINS:

- (1) FLOOR MOUNTED TRAY
- (1) STD DEPTH ADJ SHELF

COMPARTMENT P2 CONTAINS:

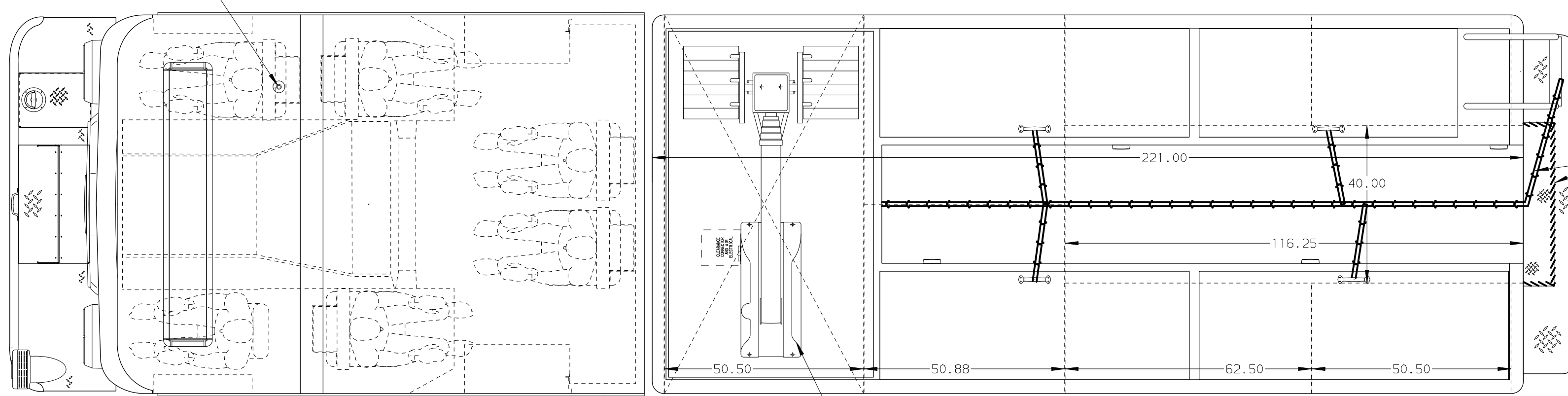
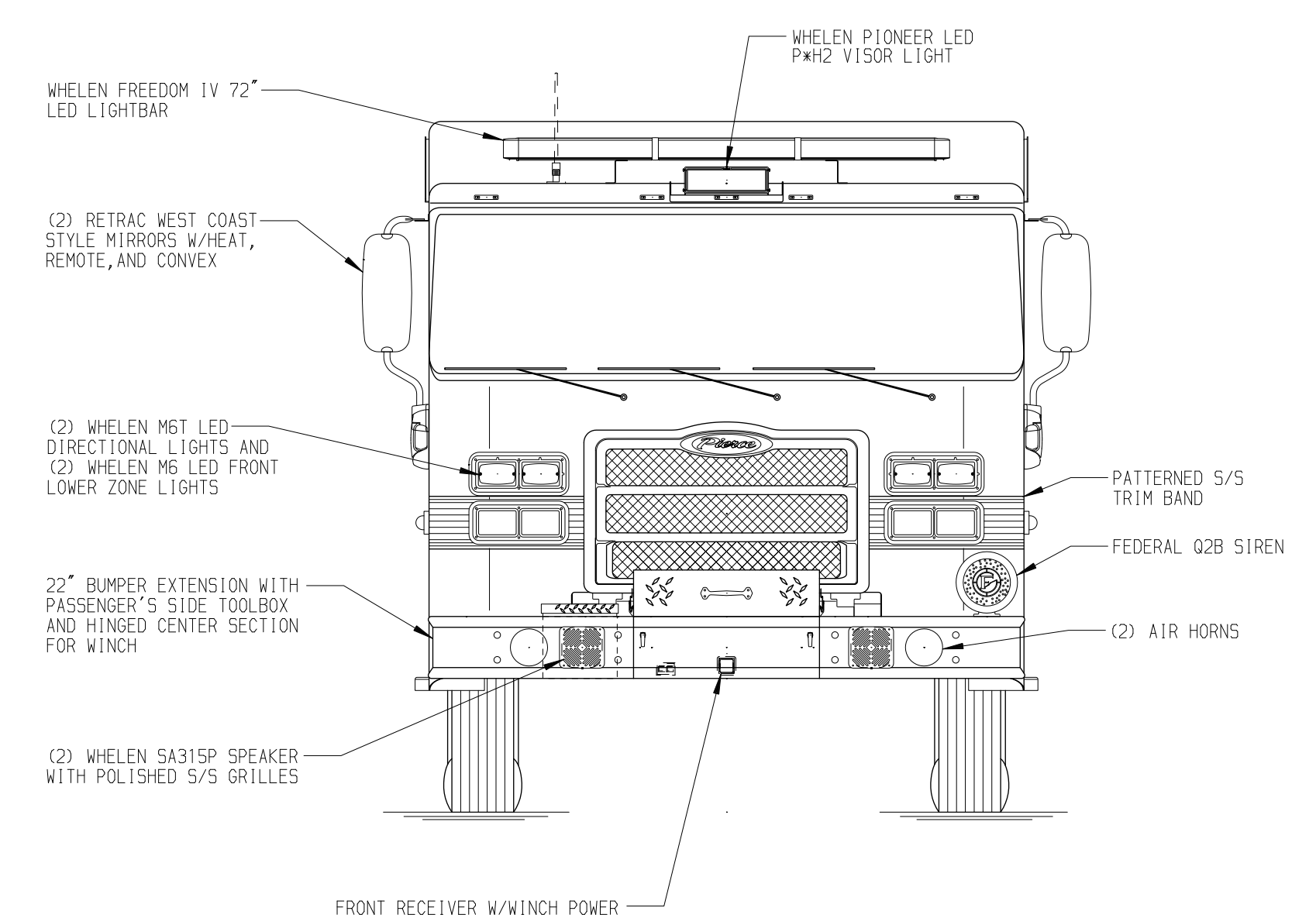
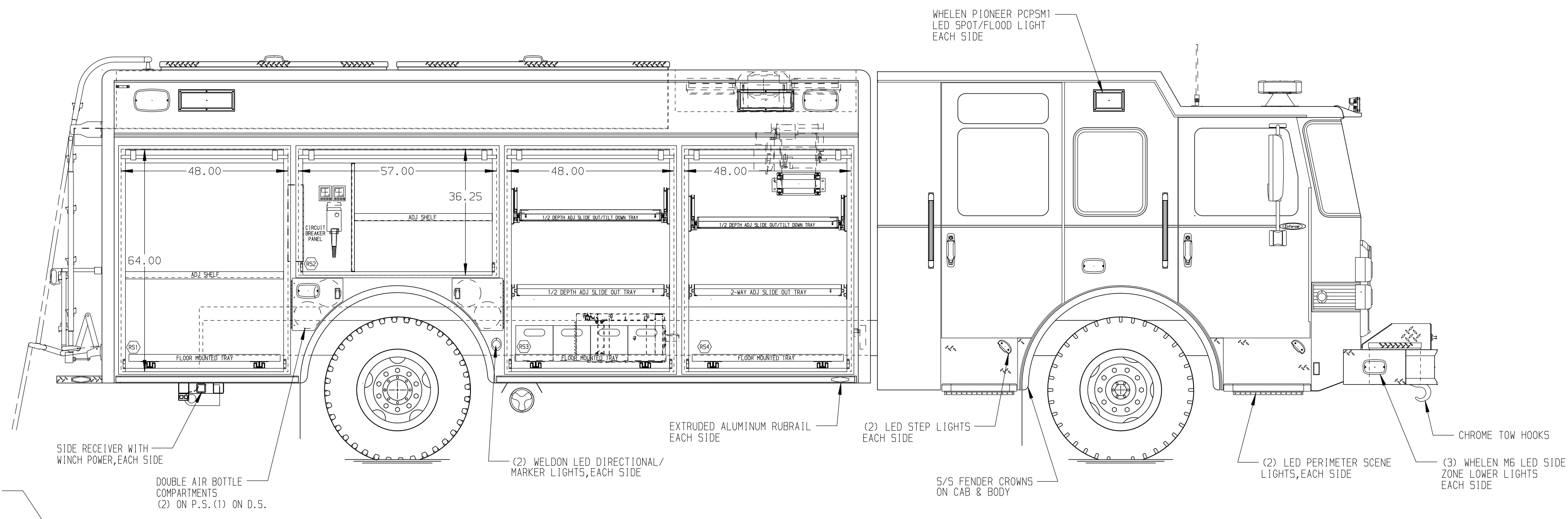
- (1) VERTICAL COMPARTMENT DIVIDER
- (1) CIRCUIT BREAKER PANEL
- (1) NIGHT SCAN CONTROLLER
- (1) GENERATOR METER PANEL
- (1) STD DEPTH ADJ SHELF

COMPARTMENT P3 CONTAINS:

- (1) 1/2 DEPTH ADJ SLIDE OUT/TILT TRAY
- (1) FLOOR MOUNTED TRAY
- (1) REAR WALL COMPARTMENT DIVIDER
- (1) 1/2 DEPTH ADJ SLIDE OUT TRAY
- (4) POLY TOOL BOXES

COMPARTMENT P4 CONTAINS:

- (1) 1/2 DEPTH ADJ SLIDE OUT/TILT TRAY
- (1) FLOOR MOUNTED TRAY
- (1) CAB LIFT CONTROLLER
- (1) 2-WAY ADJ SLIDE OUT TRAY
- (1) ELECTRIC CABLE REEL W/200' OF 10/3 YELLOW CORD & CAPTIVE ROLLER



REAR COMPARTMENT CONTAINS THE FOLLOWING:

COMPARTMENT R1 CONTAINS:

- (1) 110" DP SLIDE OUT TRAY
- (1) FLOOR MOUNTED RACK
- (1) STOKES BASKET RACK

DRIVER'S SIDE COMPARTMENTS CONTAIN THE FOLLOWING:

COMPARTMENT D1 CONTAINS:

- (2) STD DEPTH ADJ SLIDE OUT TOOLBOARDS

COMPARTMENT D2 CONTAINS:

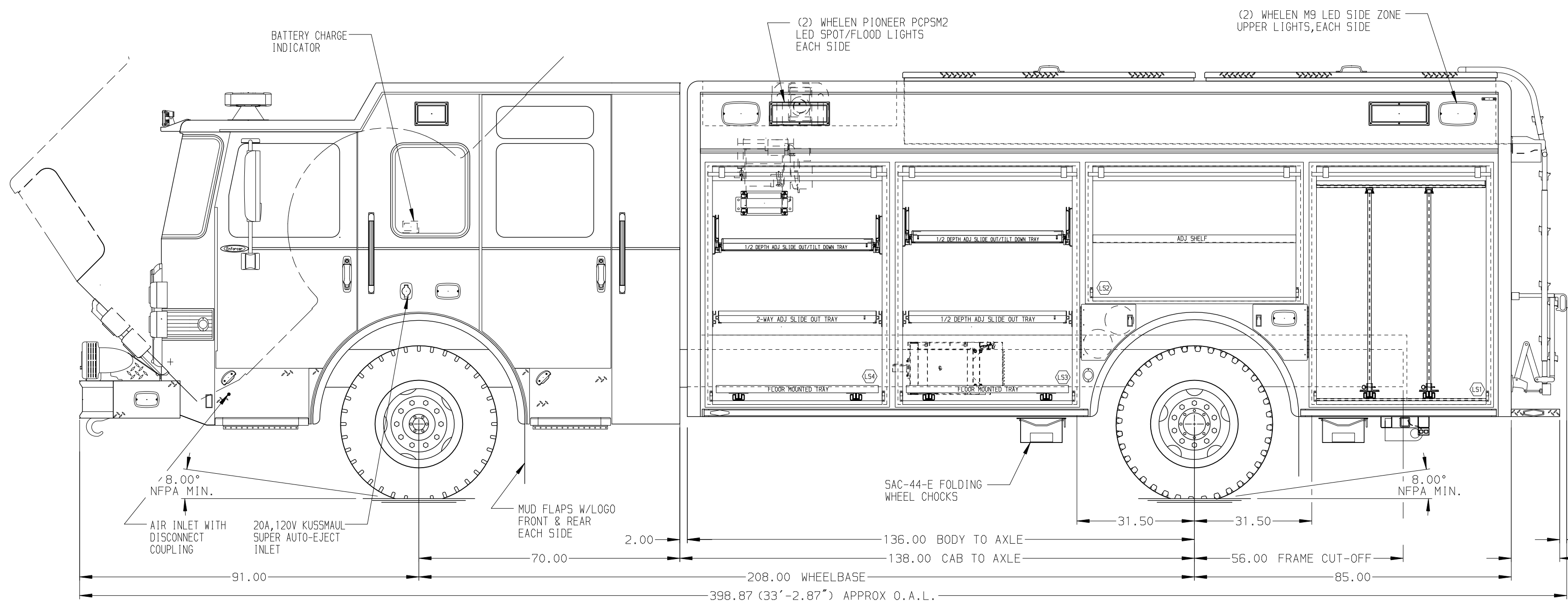
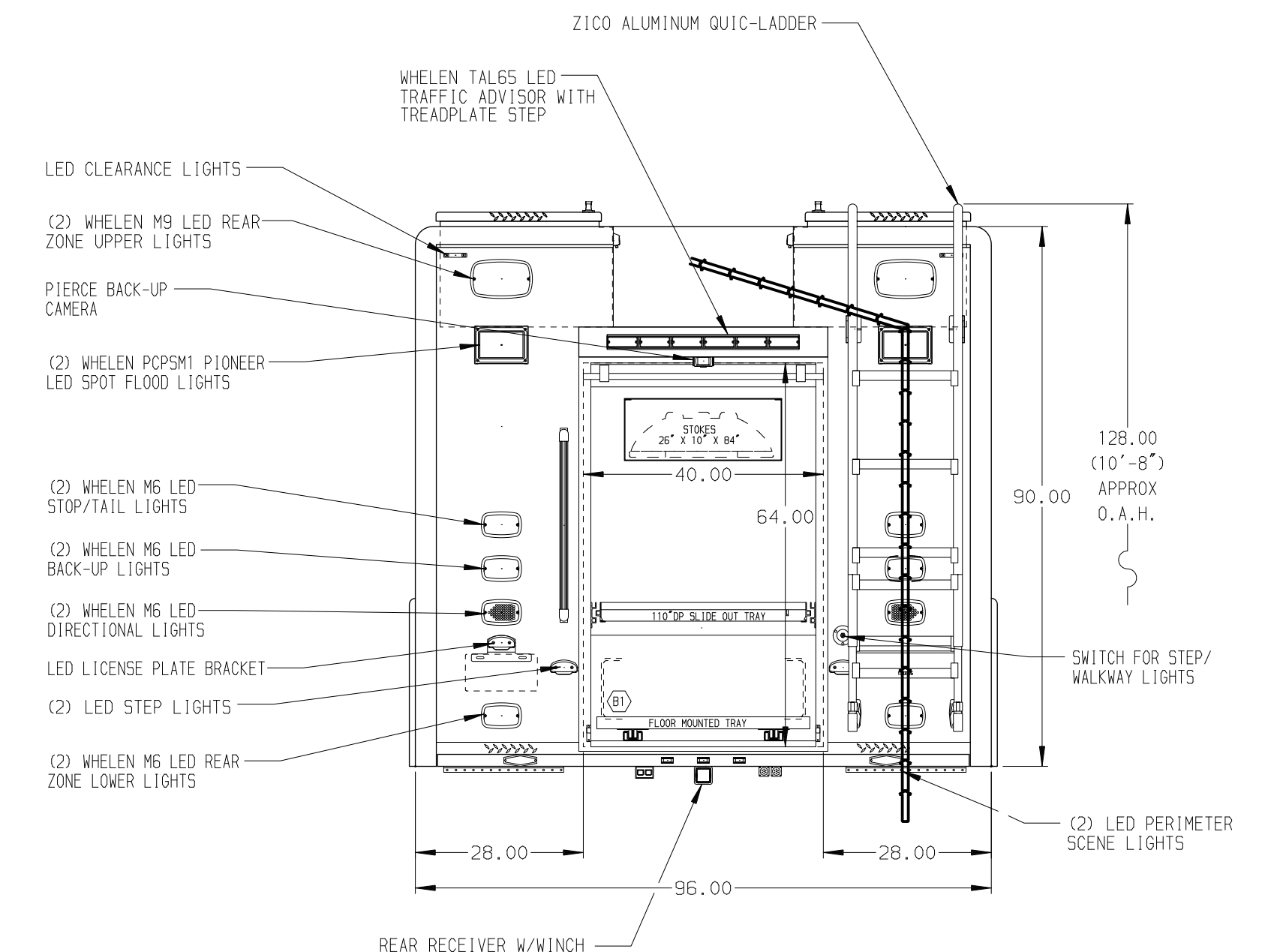
- (1) STD DEPTH ADJ SHELF

COMPARTMENT D3 CONTAINS:

- (1) 1/2 DEPTH ADJ SLIDE OUT/TILT TRAY
- (1) 1/2 DEPTH ADJ SLIDE OUT TRAY
- (1) FLOOR MOUNTED TRAY
- (1) REAR WALL COMPARTMENT DIVIDER

COMPARTMENT D4 CONTAINS:

- (1) 1/2 DEPTH ADJ SLIDE OUT/TILT TRAY
- (1) 2-WAY ADJ SLIDE OUT TRAY
- (1) FLOOR MOUNTED TRAY
- (1) ELECTRIC CABLE REEL W/200' OF 10/3 YELLOW CORD & CAPTIVE ROLLER



NOTE
DIMENSIONS SHOWN ARE APPROXIMATE AND ARE SUBJECT TO MINOR DEVIATIONS AS MAY OCCUR OR BE NECESSARY IN CONSTRUCTION. MINOR DETAILS NOT SHOWN.

NOTES:

- WARN #9,000 PORTABLE WINCH
- FLOOR IN CAB AND CREW CAB TO BE PADDED RUBBER
- ELASTIC PULL STRAPS ON ALL BODY ROLL UP DOORS
- PIERCE LED LIGHT STRIPS IN ALL BODY AND HATCH COMPARTMENTS
- ONAN 25kW SINGLE PHASE PTO DRIVEN GENERATOR WITH SPLASH GUARD LOCATED BETWEEN THE FRAME RAILS
- 10TA 75 AMP BATTERY CHARGER LOCATED BEHIND THE DRIVER'S SEAT
- S/5 GUARDS ON ALL BODY ROLL-UP DOORS

(SIDE ROLL & FRONTAL IMPACT PROTECTION)

CLEAR DOOR WIDTH KEY

AMOR ROLL UP DOORS:	-2 1/4"
CURTAIN ROLL UP DOORS:	-2 1/2"
PIERCE DOUBLE LIP DOORS:	-4 1/4"
PIERCE LIFT-UP LIP DOORS:	-1 1/2"

(EX: 60" F-F - 2 1/4" = 57 3/4" CLEAR)
(F-F) = FRAME TO FRAME

CUSTOMER APPROVAL

APPROVED BY: _____
DATE: _____

REV	DATE	BY	CH
29JUN21	DHE	THS	

Pierce MANUFACTURING INC.

JOB NO. 36440

SCALE 1:24 DATE _____

DRAWN BY DHE

CHECKED BY CDK 27APR21

SHEET SIZE D SHEET NO. 1 OF 1

TITLE HEAVY DUTY RESCUE NON-WALKIN

FOR PIERCE STOCK

MODEL EN7010

DWG NO. 36440AD