

RIGHT SIDE COMPARTMENTS CONTAIN THE FOLLOWING:

COMPARTMENT R51 CONTAINS:

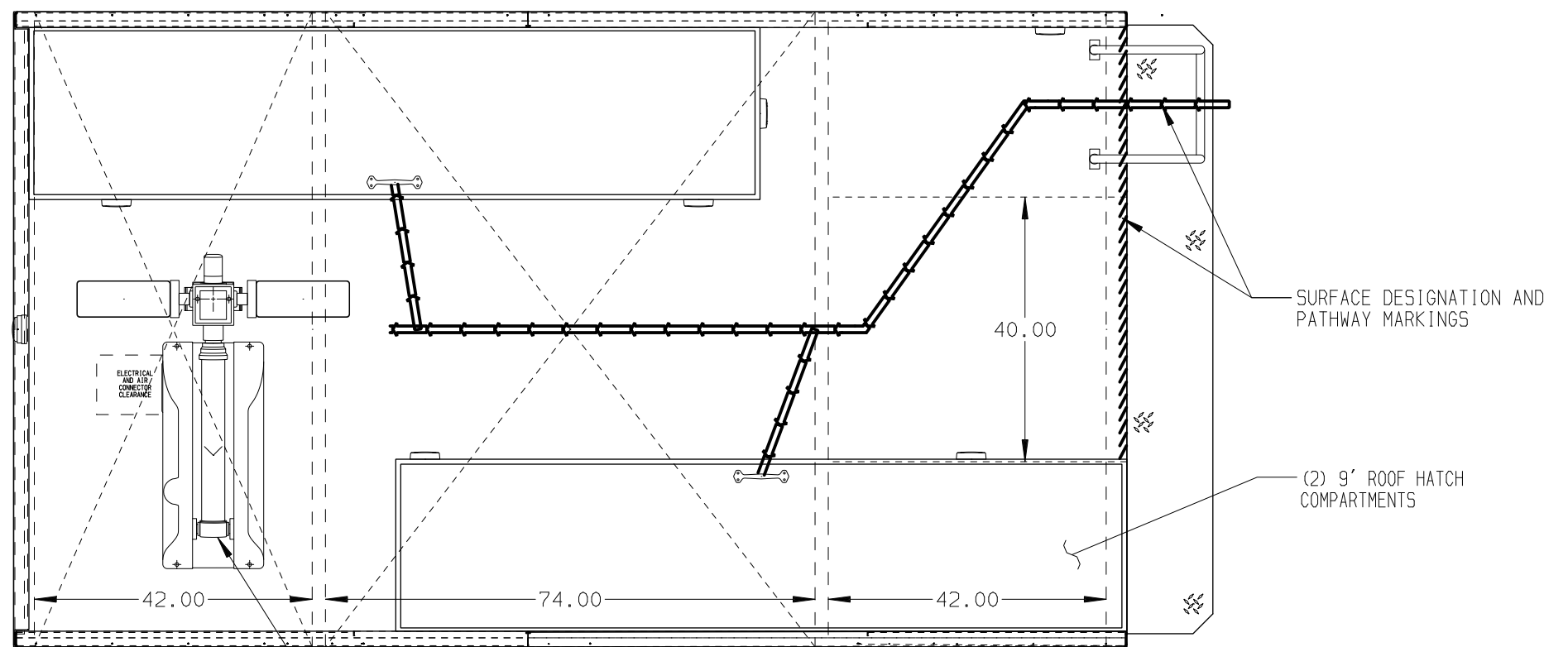
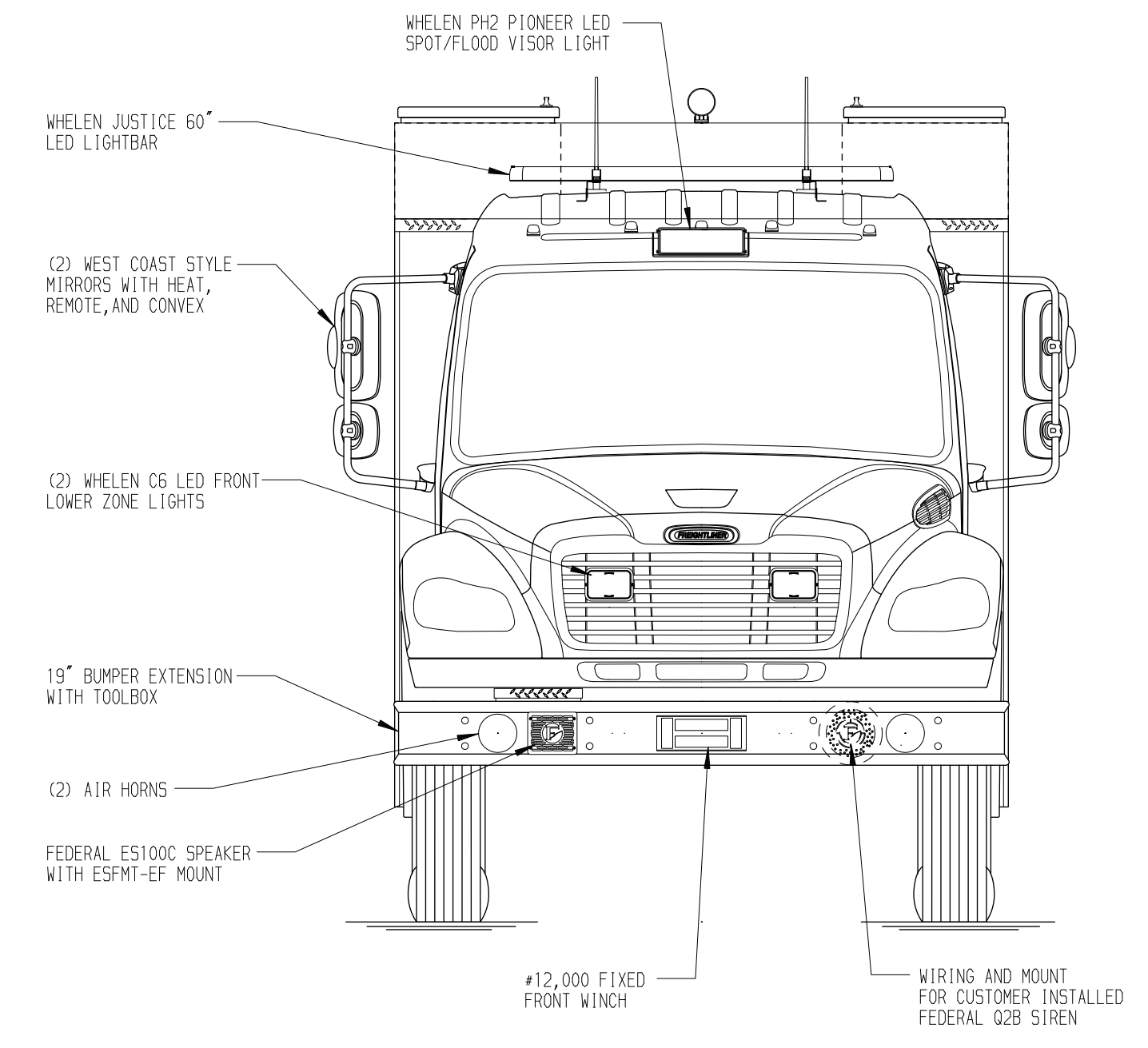
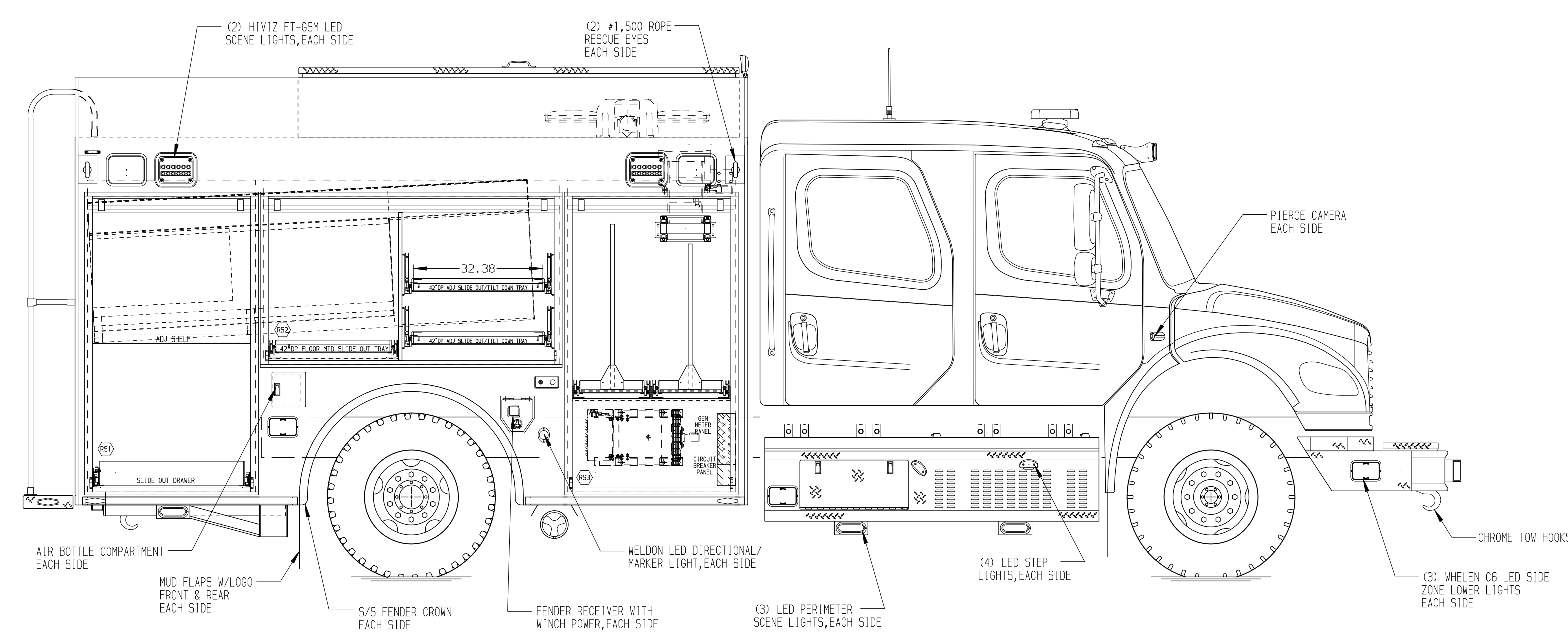
- (1) 22" DP ADJ SHELF
- (1) SLIDE OUT DRAWER

COMPARTMENT R52 CONTAINS:

- (1) VERTICAL COMPARTMENT DIVIDER
- (2) 42" DP ADJ SLIDE OUT/TILT TRAYS
- (1) 42" DP FLOOR MTD SLIDE OUT TRAY

COMPARTMENT R53 CONTAINS:

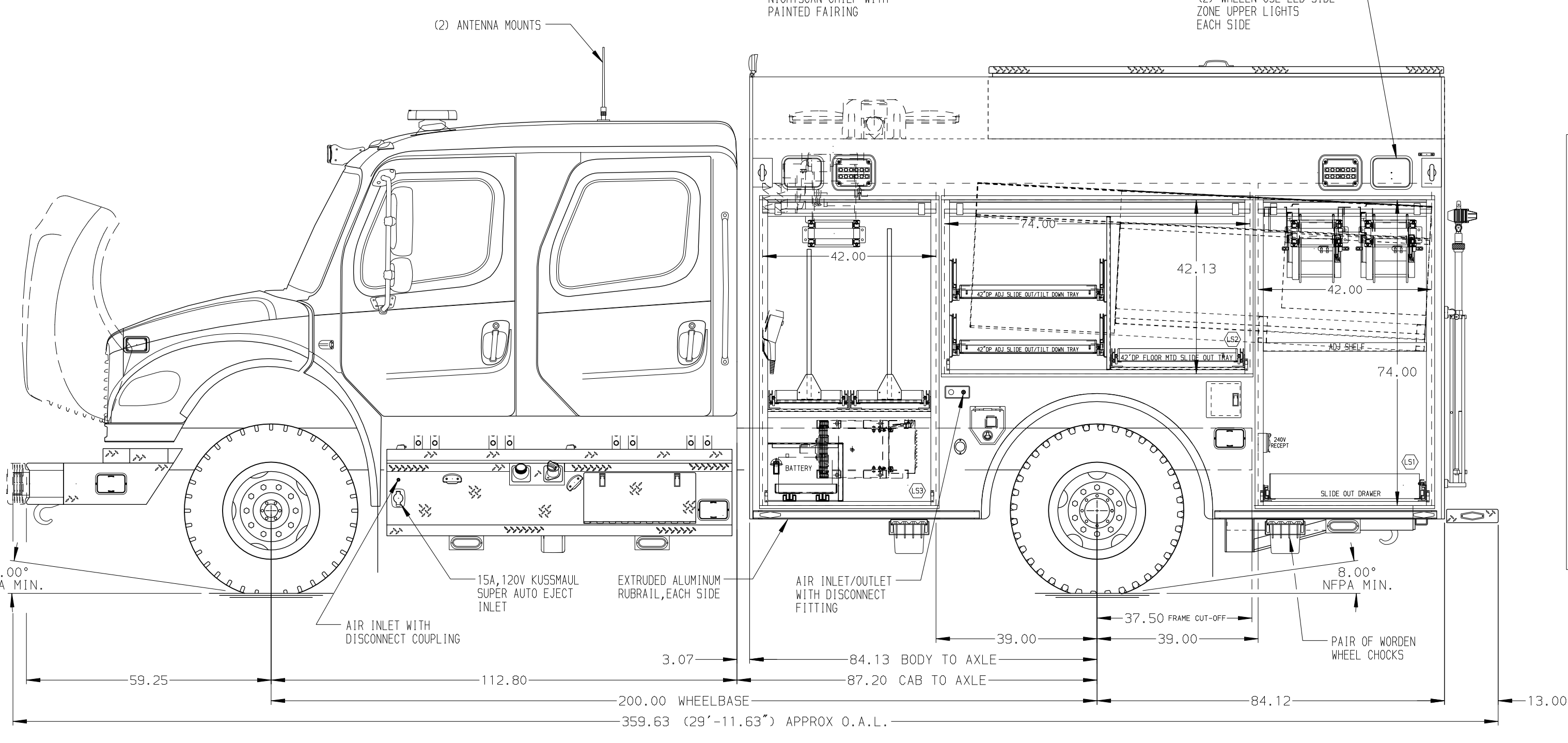
- (1) HORIZONTAL FLOOR EXTENSION
- (2) 42" DP ADJ SLIDE OUT TOOLBOARDS
- (1) LOW PRESSURE AIR REEL W/200' OF HOSE
- (1) CIRCUIT BREAKER PANEL
- (1) GENERATOR METER PANEL



REAR COMPARTMENT CONTAINS THE FOLLOWING:

COMPARTMENT B1 CONTAINS:

- (1) 38" DP ADJ SLIDE OUT TRAY
- (1) 7 TROUGH EQUIPMENT STORAGE RACK



LEFT SIDE COMPARTMENTS CONTAIN THE FOLLOWING:

COMPARTMENT L51 CONTAINS:

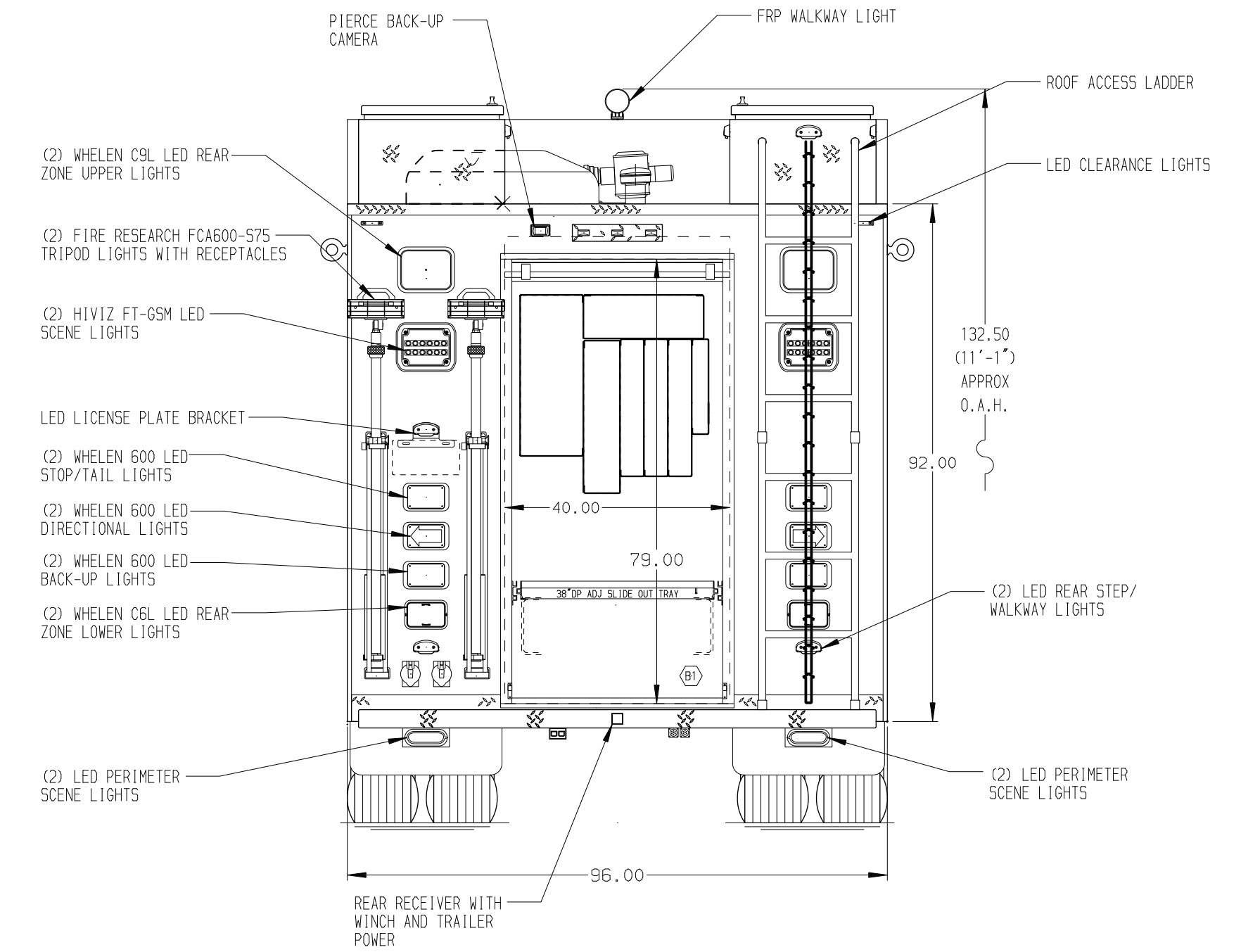
- (1) 22" DP ADJ SHELF
- (1) SLIDE OUT DRAWER
- (2) HYDRAULIC REELS WITH CAPACITY FOR 100' OF DUAL HOSE
- (1) 30A, 240V T.L. RECEPTACLE

COMPARTMENT L52 CONTAINS:

- (1) VERTICAL COMPARTMENT DIVIDER
- (2) 42" DP ADJ SLIDE OUT/TILT TRAYS
- (1) 42" DP FLOOR MTD SLIDE OUT TRAY

COMPARTMENT L53 CONTAINS:

- (1) KUSSMAUL BATTERY CHARGER
- (1) HORIZONTAL FLOOR EXTENSION
- (2) 42" DP ADJ SLIDE OUT TOOLBOARDS
- (1) ELECTRIC CORD REEL WITH 200' OF 10/3 YELLOW CORD
- (1) NIGHT SCAN CONTROLLER



NOTE
DIMENSIONS SHOWN ARE APPROXIMATE AND ARE SUBJECT TO MINOR DEVIATIONS AS MAY OCCUR OR BE NECESSARY IN CONSTRUCTION. MINOR DETAILS NOT SHOWN.

- NOTES:**
1. WARN #9,000 PORTABLE WINCH
 2. FORWARD FACING EMS CABINET WITH ADJUSTABLE SHELF IN CREW CAB
 3. ELASTIC PULL STRAPS ON BODY ROLL-UP DOORS
 4. S/S GUARDS ON ALL BODY ROLL-UP DOORS
 5. PIERCE DUAL LED LIGHTS IN ALL BODY COMPARTMENTS
 6. ONAN 25kW SINGLE PHASE PTO DRIVEN GENERATOR LOCATED BETWEEN THE FRAME RAILS

REV	DATE	BY	CH	CHASSIS DATA	TITLE
13SEP21	DHE	CDK		MAKE	ENCORE RESCUE VEHICLE
29JUL21	DHE	CDK		FREIGHTLINER	42.74.42
31MAR21	DHE	CDK		MODEL	KINGSPORT LIFESAVING CREW
				M2-106	BID #1090

		JOB NO.	36455
		SCALE	DATE
		DRAWN BY	DHE 22MAR21
		CHECKED BY	CDK 24MAR21
		SHEET SIZE	SHEET NO.
		D	1 OF 1