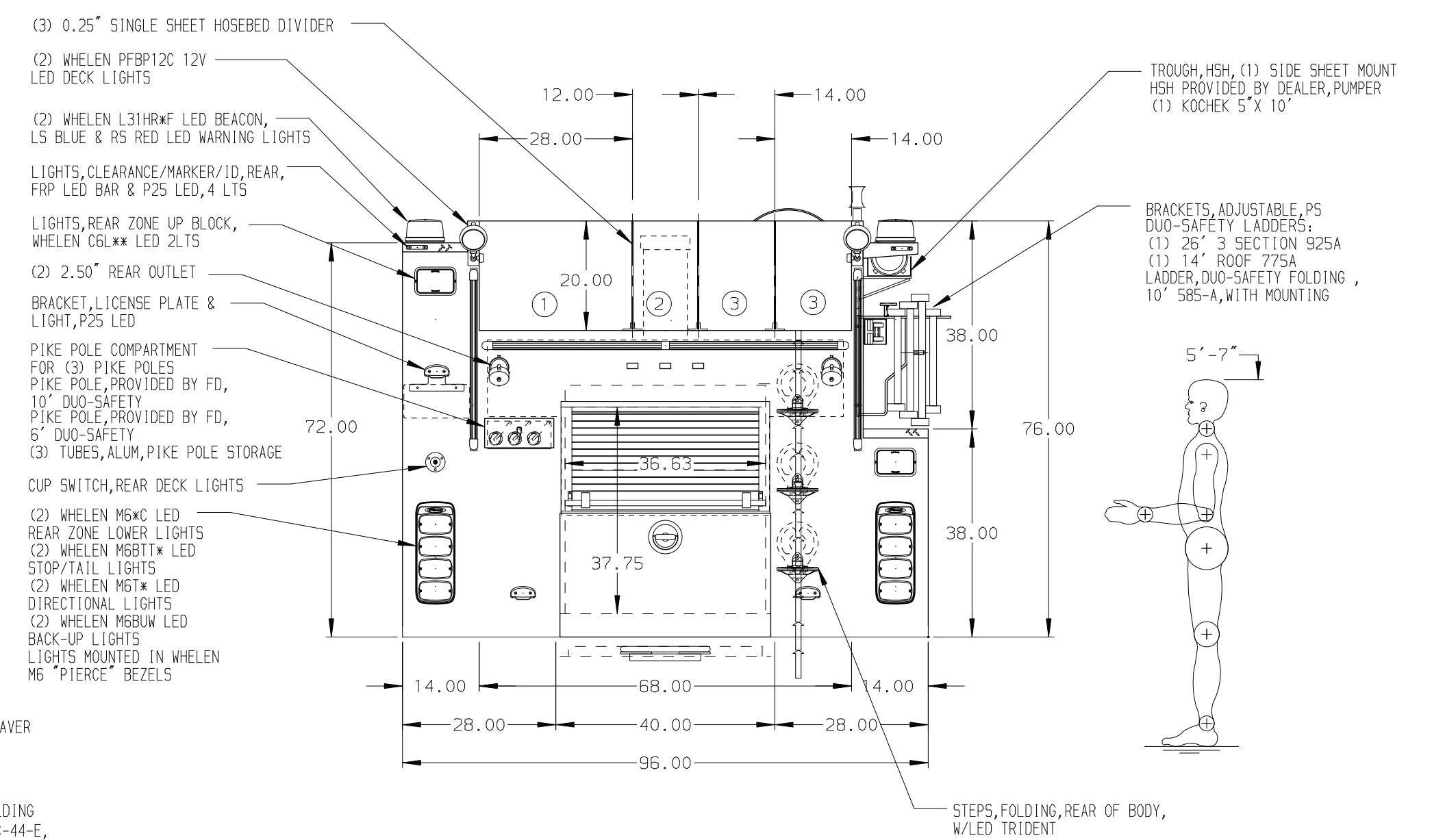
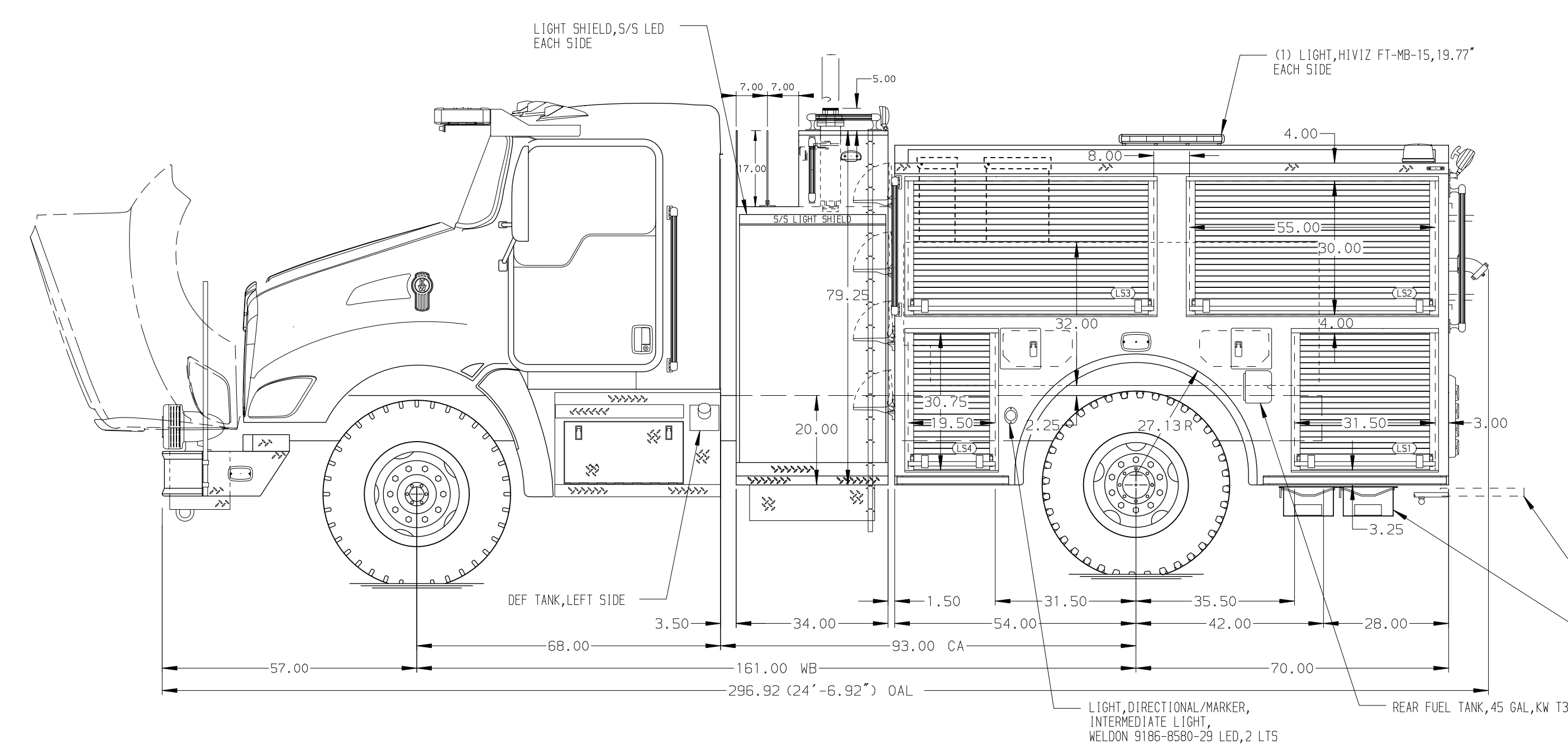


- HOSEBED CAPACITIES
- ① 500' OF 5.00" DJ HOSE
 - ② 500' OF 1.75" DJ HOSE
 - ③ 750' OF 2.50" DJ HOSE



MAXIMUM OAL 297"

MAXIMUM OAH 105"

NOTE
DIMENSIONS SHOWN ARE APPROXIMATE AND ARE SUBJECT TO MINOR DEVIATIONS AS MAY OCCUR OR BE NECESSARY IN CONSTRUCTION. MINOR DETAILS NOT SHOWN.

CHASSIS DATA	TITLE	1000-D-500P, 30 FOAM, 124" BODY, L5 FULL HEIGHT, RS LOW 34" SIDE CONTROL, (2) 1.5" CROSSLAYS
MAKE	FOR	SAG HARBOR FIRE DEPARTMENT SAG HARBOR, NEW YORK
MODEL	DWG NO.	36460AD
REV	DATE	BY
20SEP21	JAF	AJA
30AUG21	JLA	AJA

<p>MANUFACTURING INC. BRADENTON, FLORIDA</p>		JOB NO.	36460
		SCALE	DATE
<p>1:24</p>		DRAWN BY	JLA
<p>25MAY21</p>		CHECKED BY	RWI
<p>28MAY21</p>		SHEET SIZE	D
<p>1 OF 1</p>		SHEET NO.	1