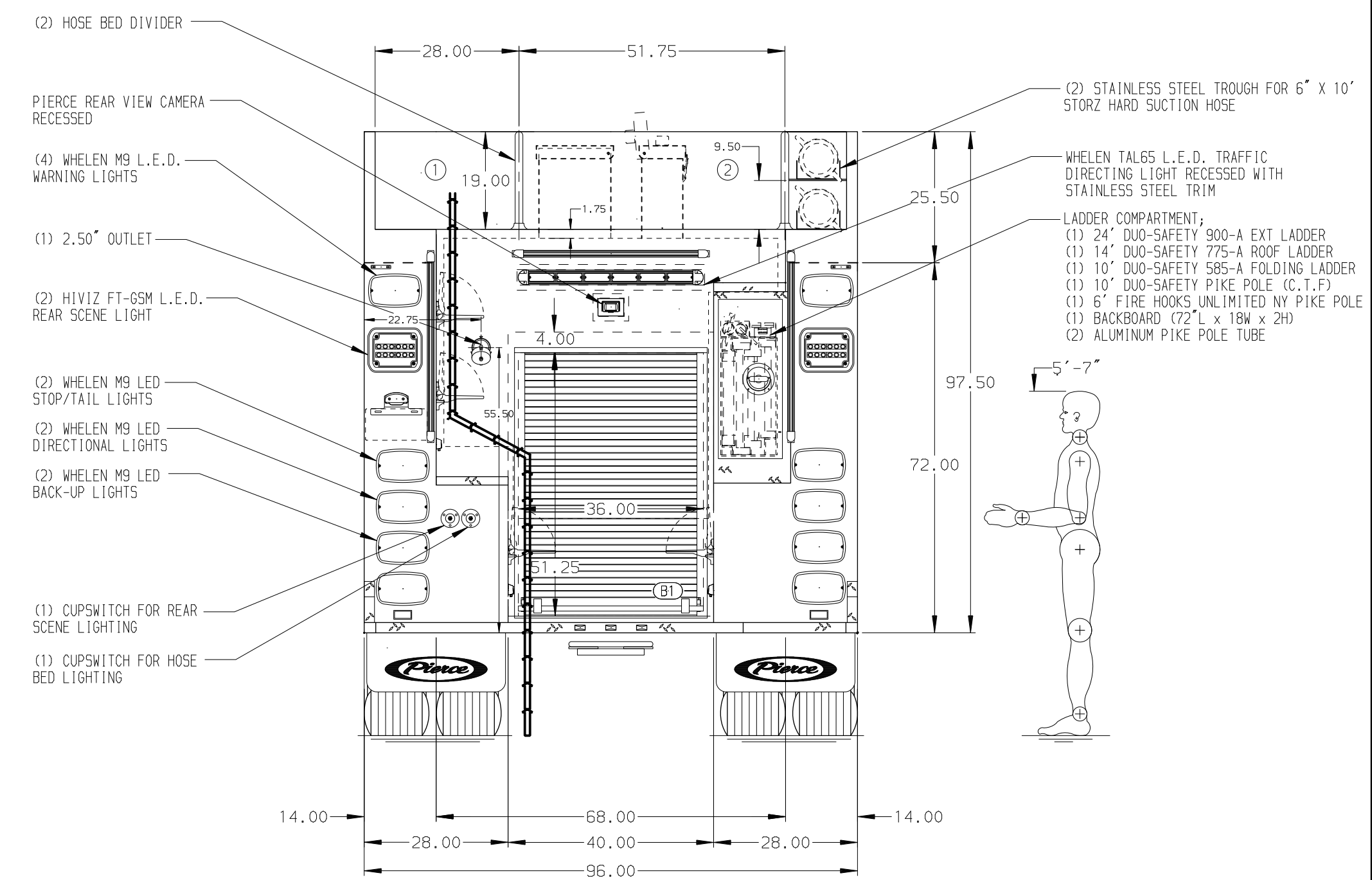


HOSE BED CAPACITIES  
 ① 800' OF 2.50\"/>



ALUMINUM BODY

SIDE ROLL & FRONTAL IMPACT PROTECTION

NOTE  
 DIMENSIONS SHOWN ARE APPROXIMATE AND ARE SUBJECT TO MINOR DEVIATIONS AS MAY OCCUR OR BE NECESSARY IN CONSTRUCTION.  
 MINOR DETAILS NOT SHOWN.

1. BATTERY CHARGER LOCATED IN COMPARTMENT AS PER ORDER
2. BATTERY CHARGER INDICATOR BEHIND DRIVER'S SEAT DISPLAYED THROUGH WINDOW
3. DUAL L.E.D. LIGHT STRIPS LOCATED IN HOSE BED
4. DRIP PAN GUARD FOR ROLL-UP DOOR LOCATED AS PER ORDER
5. ONE FULL WIDTH/DEPTH ADJUSTABLE SHELF IN COMPARTMENT AS PER ORDER
6. ONE FLOOR MOUNTED SLIDE-OUT TRAY IN COMPARTMENTS AS PER ORDER
7. SWING-OUT TOOL BOARD WITH PEGBOARD PATTERN IN COMPARTMENTS AS PER ORDER
8. PAC TRAC ON BACK WALL/WALL OF COMPARTMENTS AS PER ORDER
9. PARTITION BETWEEN COMPARTMENTS L51/B1 AND R51/B1
10. TEN FULL WIDTH/DEPTH ADJUSTABLE SHELVES LOCATED AS PER ORDER
11. TWO FLOOR MOUNTED TRAYS LOCATED AS PER ORDER
12. ONE SLIDE OUT LAZY SUSAN TOOL MOUNT LOCATED AS PER ORDER

REV	DATE	BY	CH	ENFORCER
17DEC21	BTH	COS		MAKE
03NOV21	JRC	COS		PIERCE
01SEP21	JRC	EGO		MODEL

		JOB NO.	36481
		SCALE	DATE
TITLE	2000-D-1050P, 1000G WATER, 50G FOAM, 152\"/>		
FOR	PHARR FIRE RESCUE PHARR, TEXAS	DRAWN BY	JRC
		CHECKED BY	EGO
DWG NO.	36481AD	SHEET SIZE	SHEET NO.
			1 OF 1