

RIGHT SIDE COMPARTMENTS CONTAIN THE FOLLOWING:

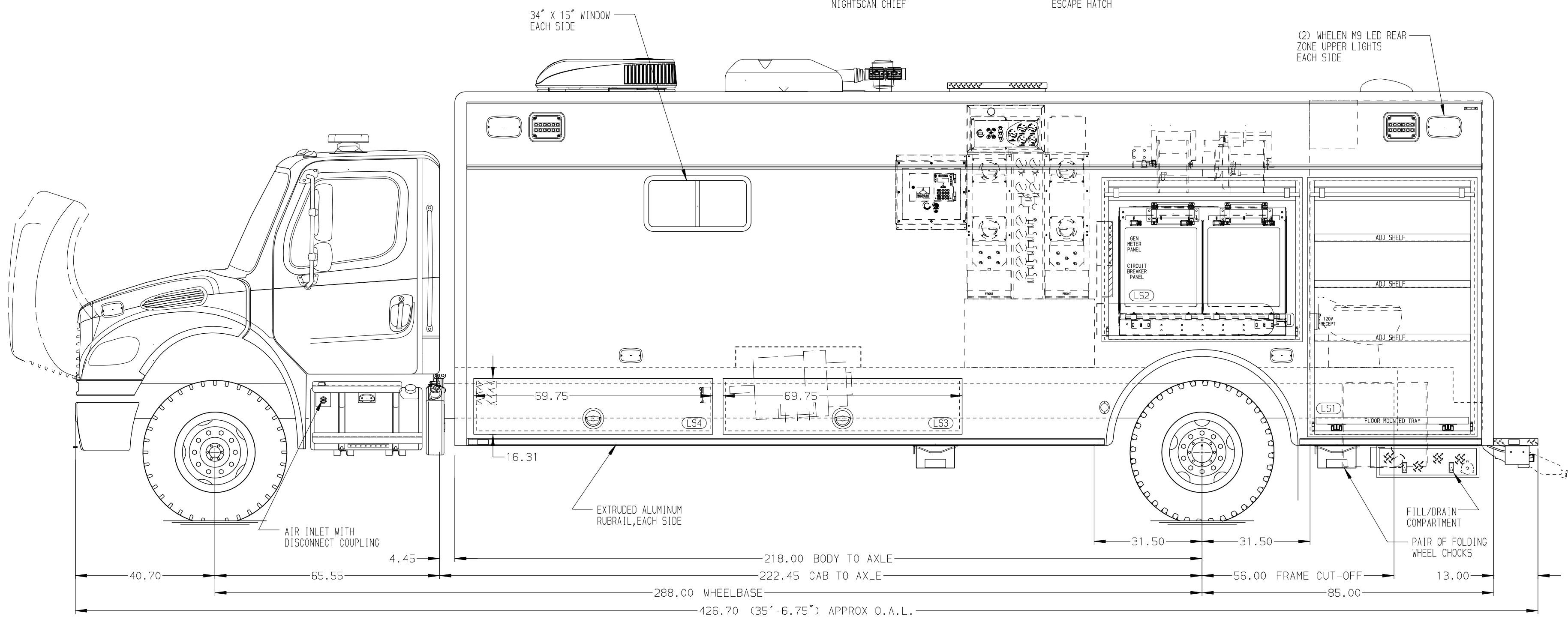
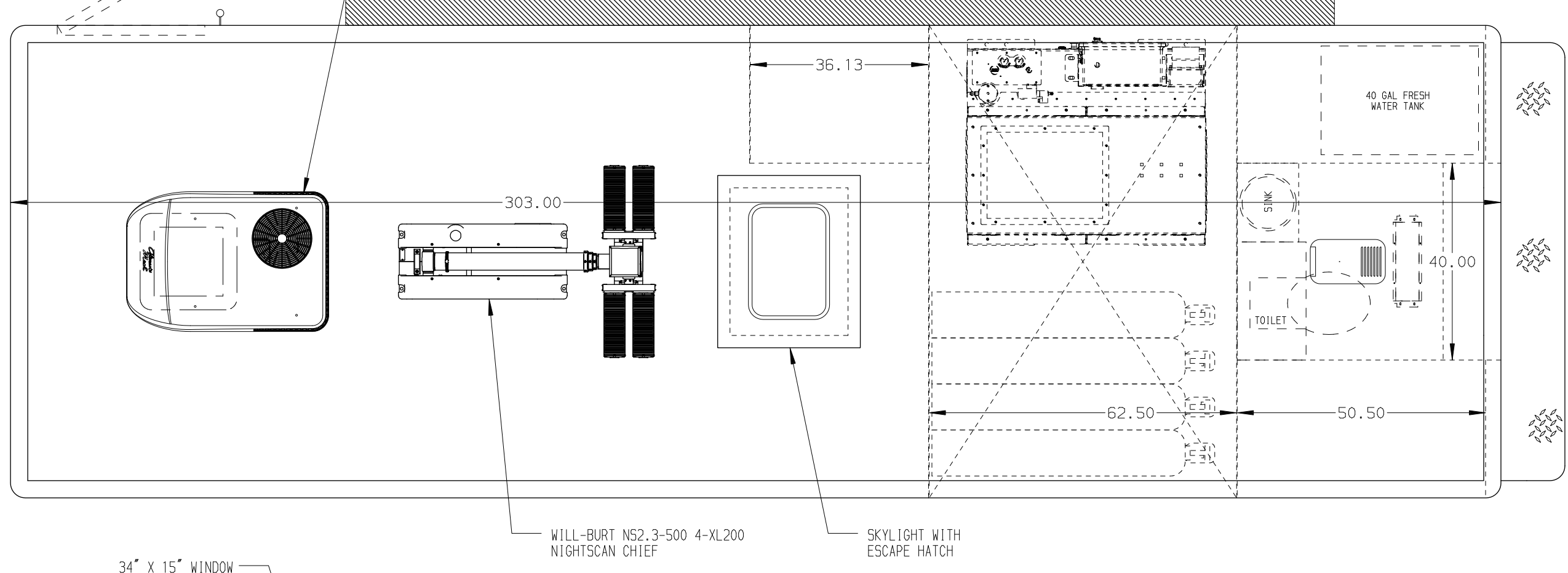
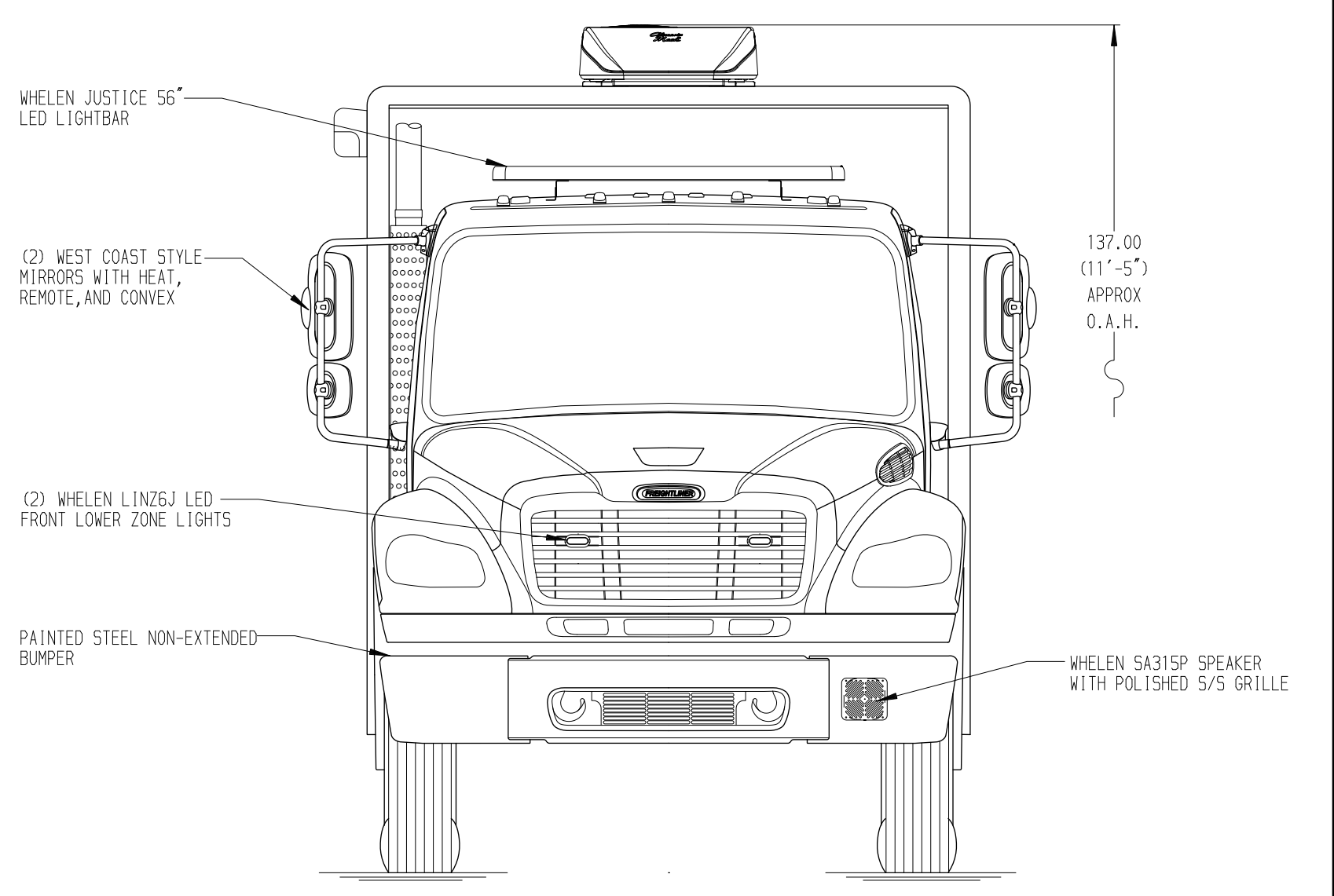
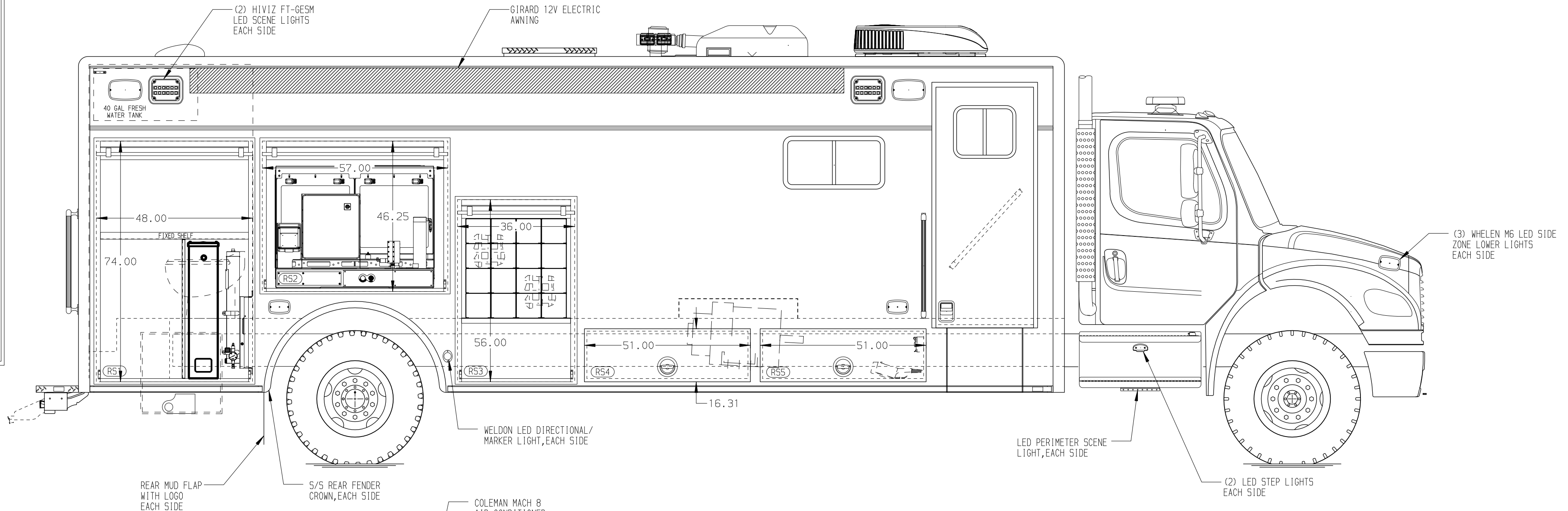
COMPARTMENT R51 CONTAINS:
 - MAKO COMPRESSOR PURIFIERS
 - MAKO CONDENSATE RESERVOIR
 - (1) STD DEPTH FIXED SHELF
 - (1) VERTICAL COMPARTMENT DIVIDER

COMPARTMENT R52 CONTAINS:
 - (1) 27 SCFM MAKO 20 HP BREATHING AIR COMPRESSOR

COMPARTMENT R53 CONTAINS:
 - (1) HORIZONTAL FLOOR EXTENSION
 - (1) RACK FOR 16 SCBA BOTTLES
 - CARGO RETENTION NETTING

COMPARTMENT R54 CONTAINS:
 -

COMPARTMENT R55 CONTAINS:
 - (1) NIGHTSCAN CONTROLLER
 - (1) 20A, 120V DUPLEX RECEPTACLE



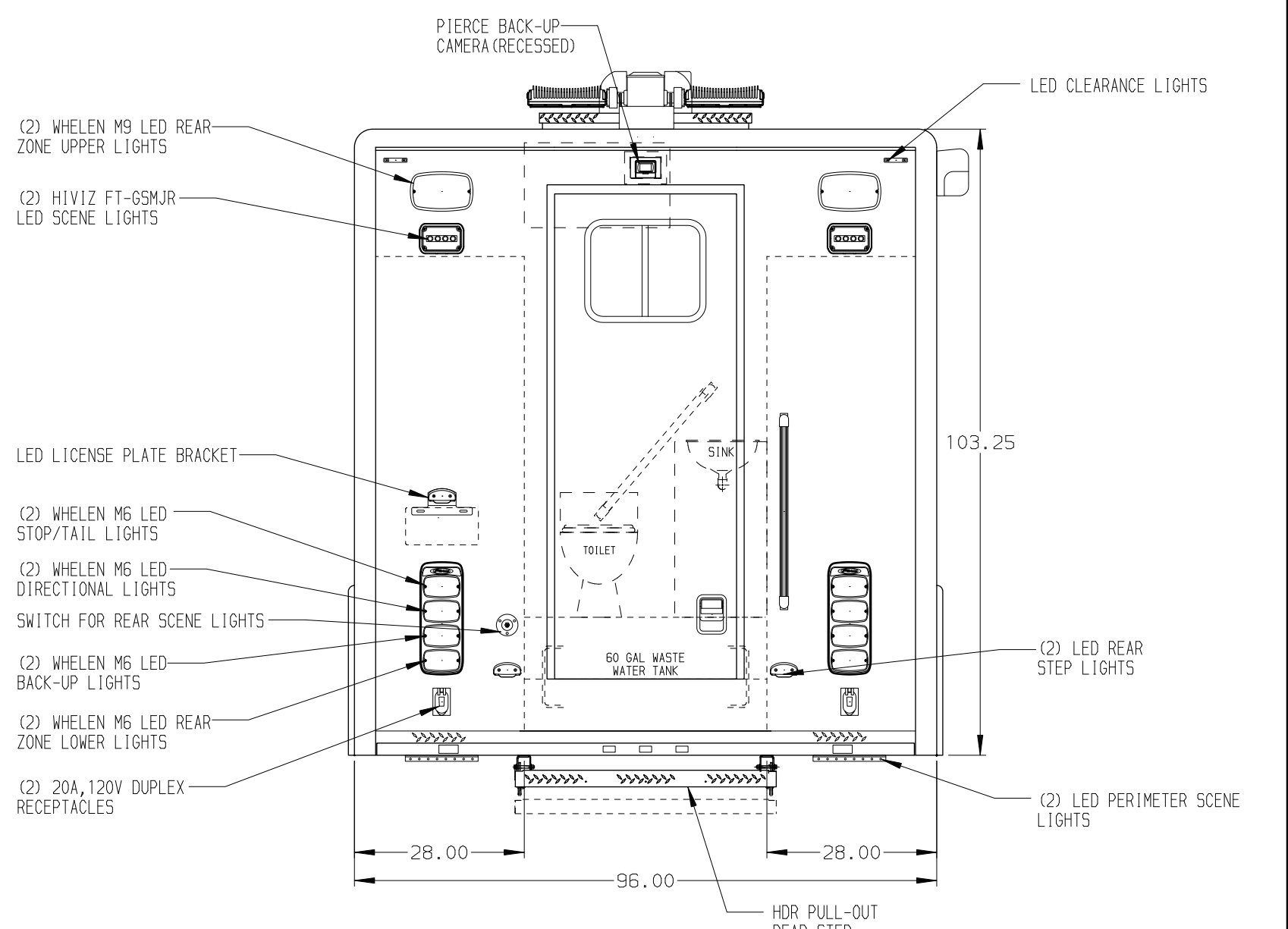
LEFT SIDE COMPARTMENTS CONTAIN THE FOLLOWING:

COMPARTMENT L51 CONTAINS:
 - (3) STD DEPTH ADJ SHELVES
 - (1) FLOOR MOUNTED TRAY
 - (1) 20A, 120V DUPLEX RECEPTACLE

COMPARTMENT L52 CONTAINS:
 - (1) 27 SCFM MAKO 21 HP BREATHING AIR COMPRESSOR
 - (4) 6000 UN AIR STORAGE BOTTLES
 - (1) CIRCUIT BREAKER PANEL
 - (1) GENERATOR METER PANEL
 - (1) ELECTRIC CORD REEL WITH 100' OF 10/3 YELLOW CORD
 - (1) HIGH PRESSURE BREATHING AIR REEL WITH 300' OF HOSE

COMPARTMENT L53 CONTAINS:
 -

COMPARTMENT L54 CONTAINS:
 - (1) KUSSMAUL 1200 CHARGER
 - (1) 20A, 120V DUPLEX RECEPTACLE



NOTE
 DIMENSIONS SHOWN ARE APPROXIMATE AND ARE SUBJECT TO MINOR DEVIATIONS AS MAY OCCUR OR BE NECESSARY IN CONSTRUCTION. MINOR DETAILS NOT SHOWN.

NOTES:
 1. BATTERY CHARGE INDICATOR LOCATED ON DRIVER'S SEAT WITH BRACKET
 2. PIERCE DUAL LIGHT STRIPS LOCATED IN EACH BODY COMPARTMENT
 3. LIMA 40KW THREE PHASE PTO DRIVEN GENERATOR LOCATED BETWEEN THE FRAME RAILS

				CHASSIS DATA	TITLE	HEAVY DUTY RESCUE WALKIN	JOB NO.	36483
				MAKE	FOR	EUGENE FIRE DEPARTMENT	SCALE	DATE
				FREIGHTLINER	FOR	BID #756	1:24	
				MODEL	DWG NO.	36483AD-SH1	DRAWN BY	12AUG21
30NOV21	DHE	CDK		M2-106			CHECKED BY	18AUG21
10SEP21	DHE	AZU					NICK HENDRICKS	
REV	DATE	BY	CH				SHEET SIZE	SHEET NO.
							D	1 OF 1