

**RIGHT SIDE COMPARTMENTS CONTAIN THE FOLLOWING:**

COMPARTMENT R51 CONTAINS:  
 - (2) TROUGHS FOR COILED HYDRAULIC HOSE  
 - (1) STD DEPTH ADJ SHELF  
 - (1) FLOOR MOUNTED TRAY

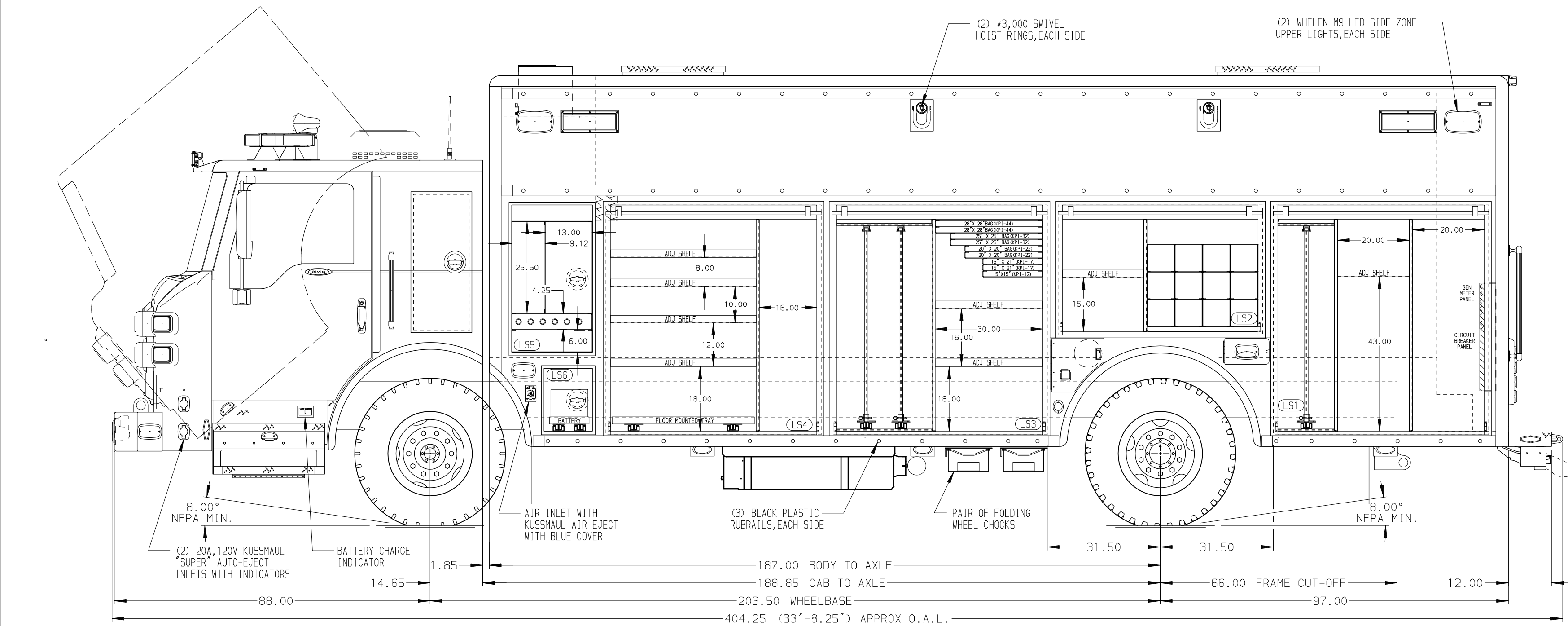
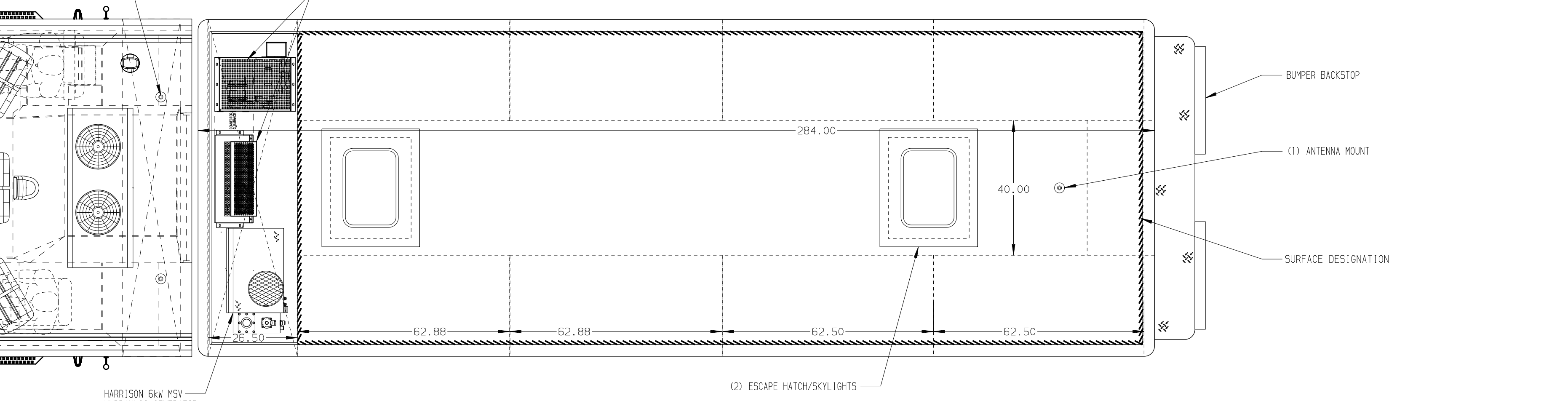
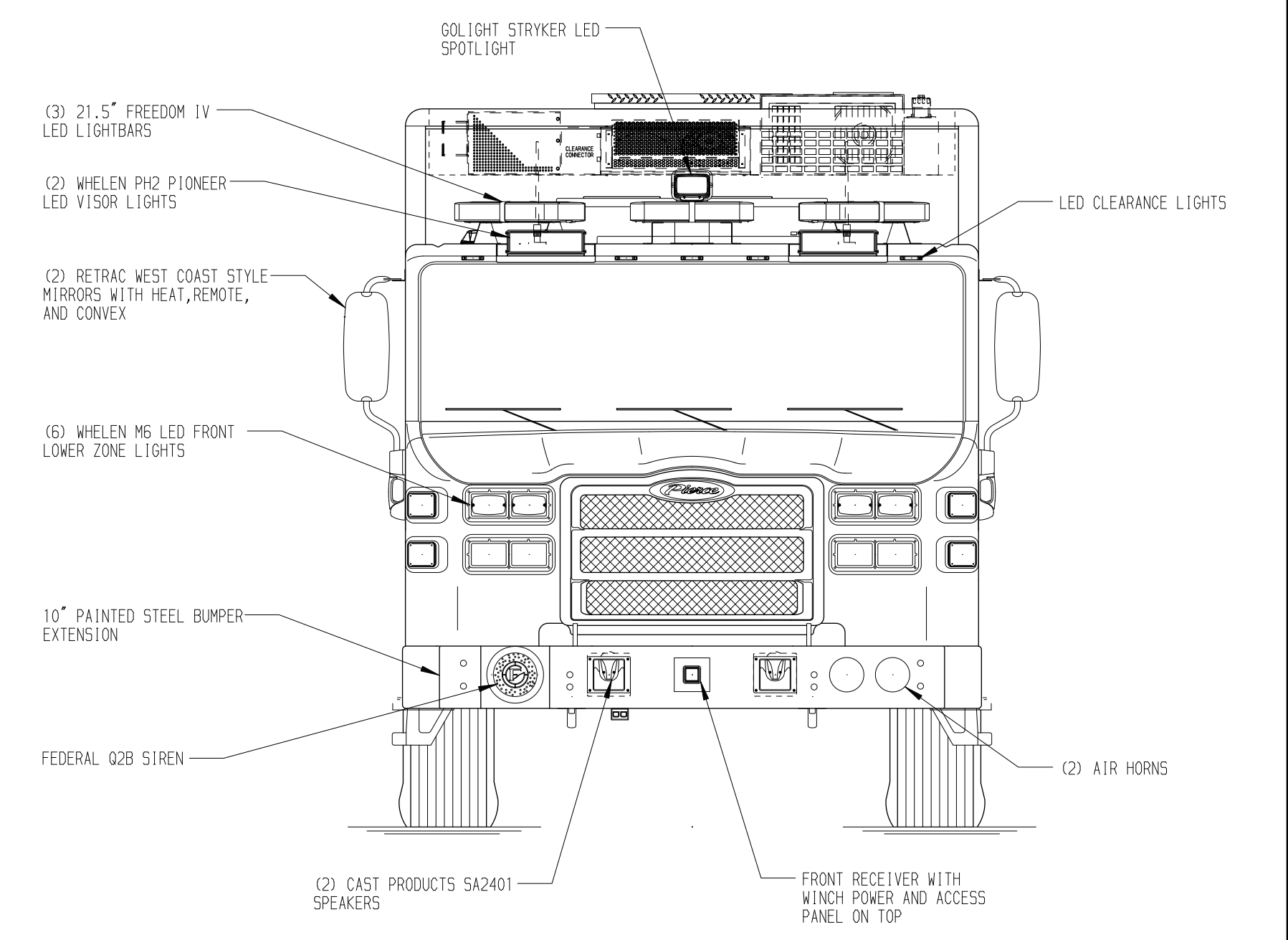
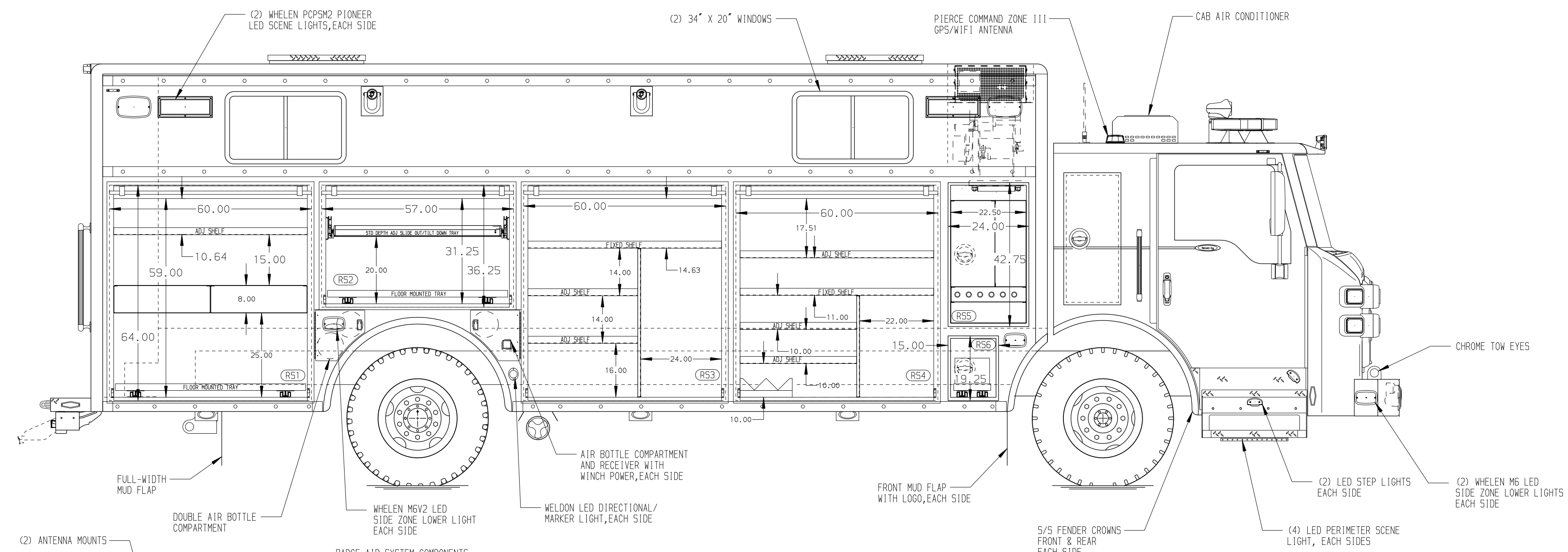
COMPARTMENT R52 CONTAINS:  
 - (1) FLOOR MOUNTED TRAY  
 - (1) STD DEPTH ADJ SLIDE OUT/TILT TRAY

COMPARTMENT R53 CONTAINS:  
 - (1) VERTICAL COMPARTMENT DIVIDER  
 - (2) STD DEPTH ADJ SHELVES  
 - (1) STD DEPTH FIXED SHELF

COMPARTMENT R54 CONTAINS:  
 - (1) VERTICAL COMPARTMENT DIVIDER  
 - (3) STD DEPTH ADJ SHELVES  
 - (1) STD DEPTH FIXED SHELF  
 - (1) V-SHAPED CYLINDER STORAGE RACK

COMPARTMENT R55 CONTAINS:  
 - (1) RACK FOR STOKES BASKET, CMC TRIPOD, PICKETS AND ROPE BAGS  
 - (1) ELECTRIC CORD REEL WITH 200' OF 10/3 BLACK CORD

COMPARTMENT R56 CONTAINS:  
 - CHASSIS BATTERIES



**LEFT SIDE COMPARTMENTS CONTAIN THE FOLLOWING:**

COMPARTMENT L51 CONTAINS:  
 - (2) VERTICAL COMPARTMENT DIVIDERS  
 - (1) STD DEPTH ADJ SHELF  
 - (1) STD DEPTH ADJ SLIDE OUT TOOLBOARD  
 - (1) CIRCUIT BREAKER PANEL  
 - (1) GENERATOR METER PANEL

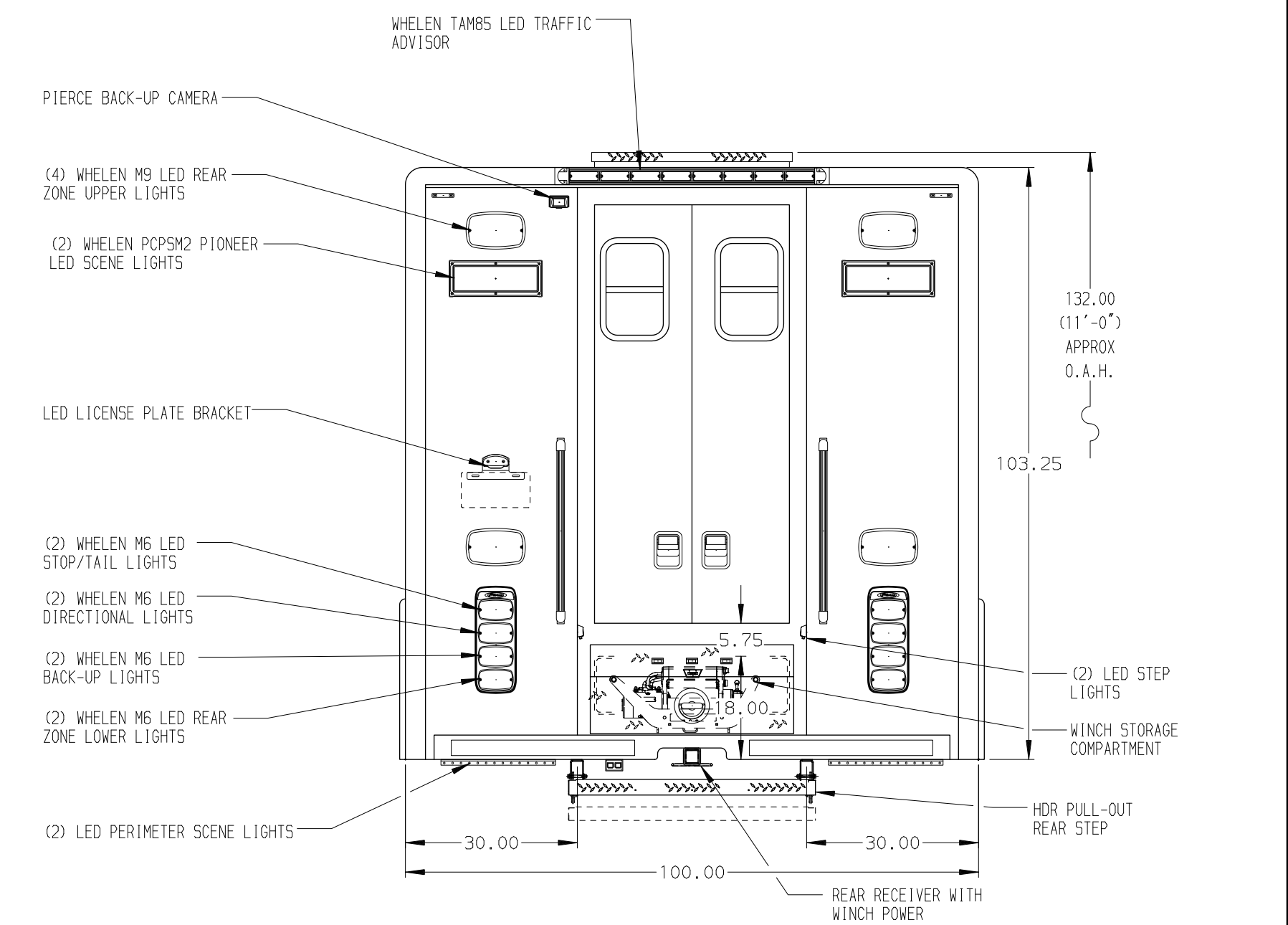
COMPARTMENT L52 CONTAINS:  
 - (1) VERTICAL COMPARTMENT DIVIDER  
 - (1) RACK FOR 12 SCBA BOTTLES  
 - (1) STD DEPTH ADJ SHELF

COMPARTMENT L53 CONTAINS:  
 - (1) VERTICAL COMPARTMENT DIVIDER  
 - (2) STD DEPTH ADJ SHELVES  
 - (2) STD DEPTH ADJ SLIDE OUT TOOLBOARDS  
 - (1) NINE SLOT AIR BAG RACK

COMPARTMENT L54 CONTAINS:  
 - (1) VERTICAL COMPARTMENT DIVIDER  
 - (4) STD DEPTH ADJ SHELVES  
 - (1) FLOOR MOUNTED TRAY  
 - (1) KUSSMAUL 40/20 CHARGER

COMPARTMENT L55 CONTAINS:  
 - (1) RACK FOR STOKES BASKET, CMC TRIPOD, PICKETS AND ROPE BAGS

COMPARTMENT L56 CONTAINS:  
 - CHASSIS BATTERIES



**NOTE**  
 DIMENSIONS SHOWN ARE APPROXIMATE AND ARE SUBJECT TO MINOR DEVIATIONS AS MAY OCCUR OR BE NECESSARY IN CONSTRUCTION. MINOR DETAILS NOT SHOWN.

**NOTES:**

- ONSPOT AUTOMATIC TIRE CHAINS
- WARN #9,000 PORTABLE RECEIVER STYLE WINCH
- POLISHED S/5 SCUFFPLATES ON CAB DOOR JAMBS
- FLOOR IN CAB SHALL BE PADDED RUBBER
- VIN-A-GRIP MATTING IN ALL COMPARTMENT SHELVES, TRAYS, AND FLOORS
- 20A, 120V 6-PLACE RECEPTACLE STRIP LOCATED ON LEFT SIDE OF ENGINE TUNNEL
- PIERCE LED LIGHTS IN ALL BODY COMPARTMENTS

MAXIMUM O.A.H. 11'-1"  
 MAXIMUM O.A.L. 33'-9"  
 SIDE ROLL AND FRONTAL IMPACT PROTECTION

CLEAR DOOR WIDTH KEY		CHASSIS DATA	
AMOR ROLL UP DOORS:	-2 1/4"	TITLE	HEAVY DUTY RESCUE WALKIN
CURTAIN ROLL UP DOORS:	-2 1/2"	FOR	SOUTH WINDSOR FIRE DEPARTMENT BID #752
PIERCE DOUBLE LAP DOORS:	-4 1/4"	DATE	19NOV21
PIERCE LIFT-UP LAP DOORS:	-1 1/2"	BY	DHE AZU
(EX: 60" F-F - 2 1/4" = 57 3/4" CLEAR) (F-F) = FRAME TO FRAME		DATE	23AUG21
		BY	DHE CDK
		CH	

**Pierce MANUFACTURING INC.**

JOB NO. 36484  
 SCALE 1:24  
 DATE  
 DRAWN BY DHE  
 02AUG21  
 CHECKED BY CDK  
 06AUG21  
 SHEET SIZE D  
 SHEET NO. 1 OF 1

CHASSIS DATA  
 MAKE PIERCE  
 MODEL VX1500  
 DWG NO. 36484AD-SH1  
 MICHAEL K HANRATTY