

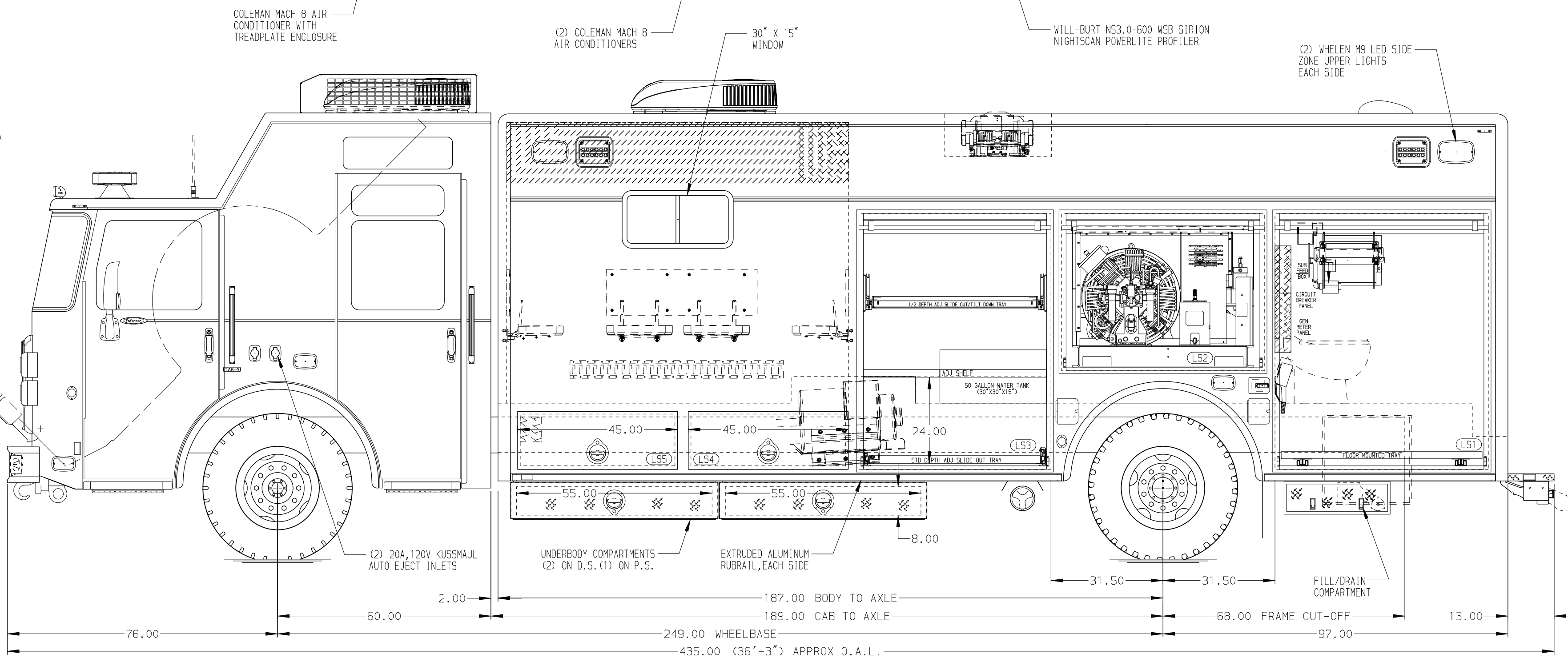
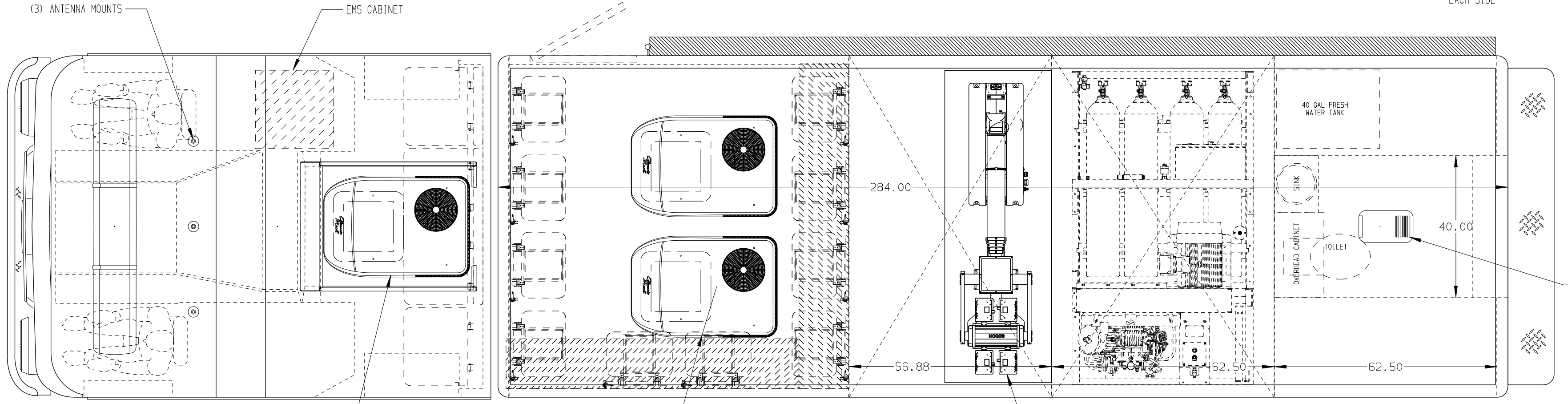
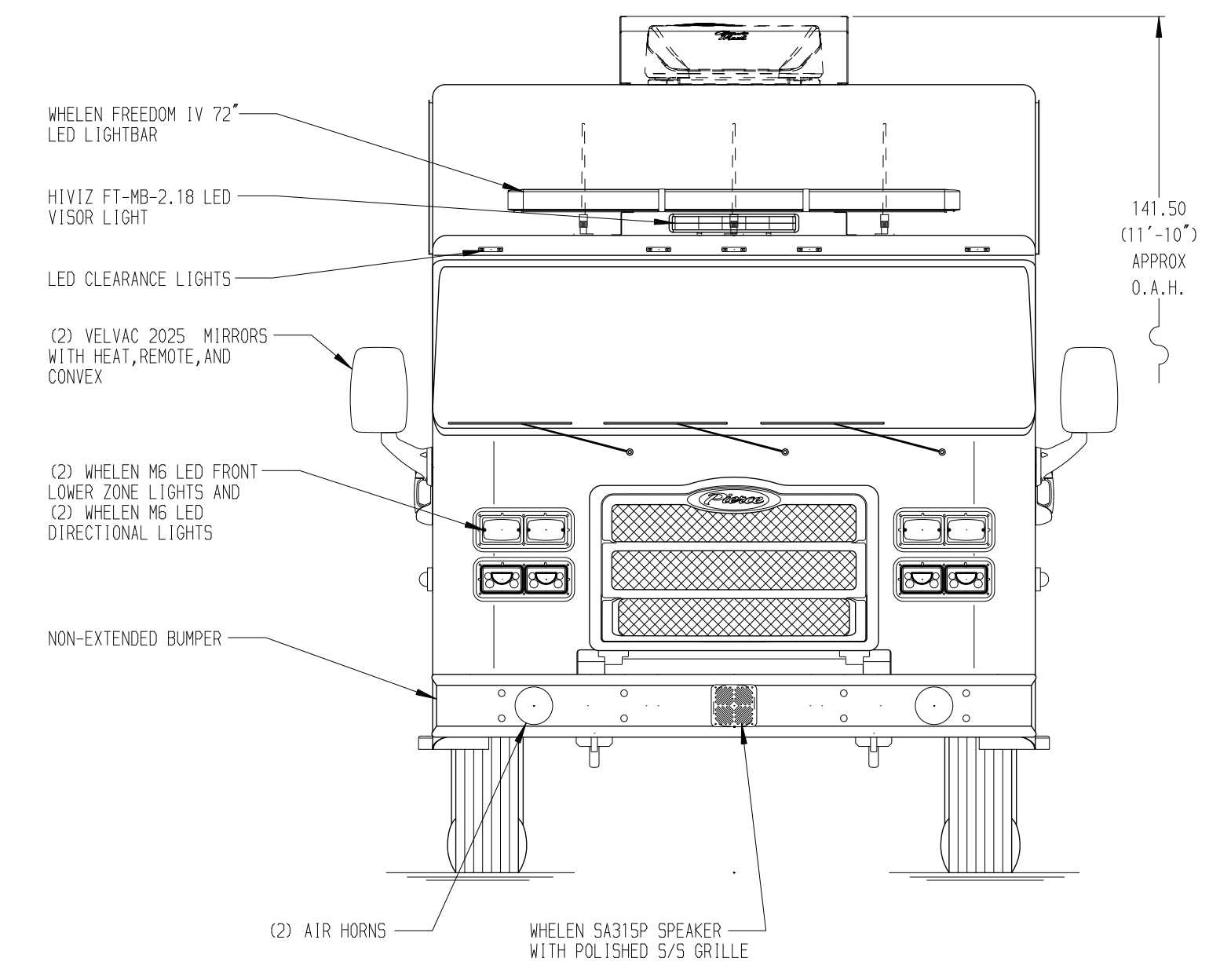
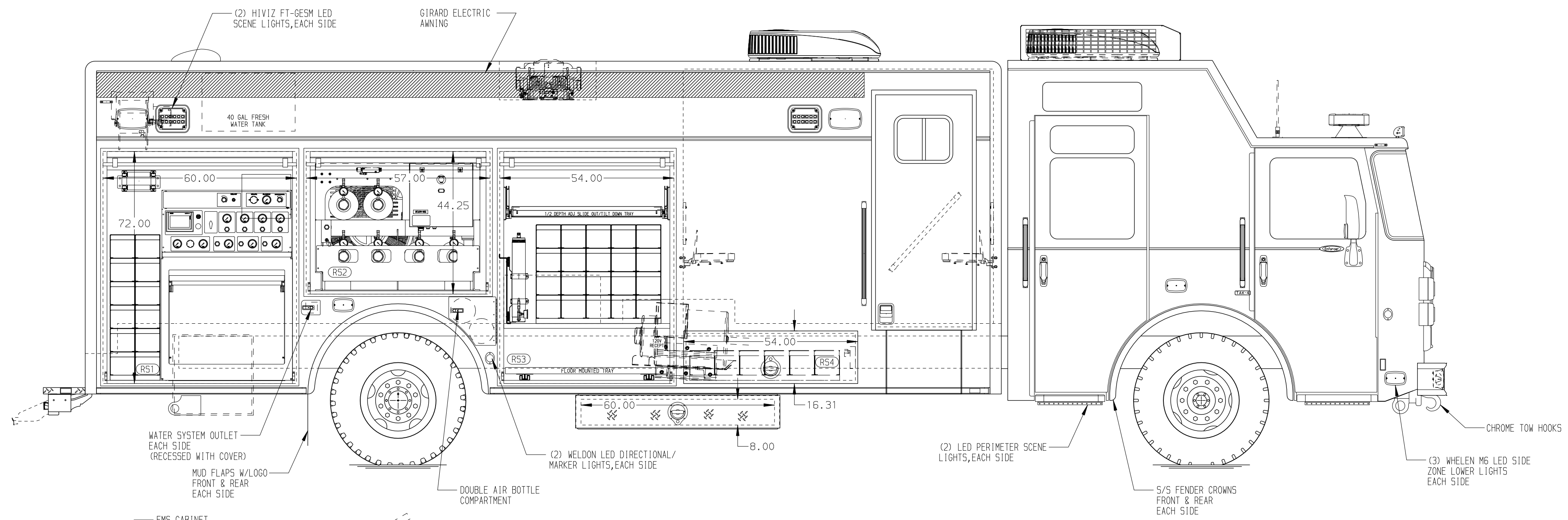
RIGHT SIDE COMPARTMENTS CONTAIN THE FOLLOWING:

COMPARTMENT R51 CONTAINS:
 - (1) RACK FOR 12 SCBA BOTTLES
 - (1) BAUER CP55.5-3M FILL ENCLOSURE
 - (1) CASCADE SYSTEM CONTROL PANEL
 - (1) COMPRESSOR CONTROL PANEL
 - (1) HIGH PRESSURE AIR REEL W/200' OF HOSE

COMPARTMENT R52 CONTAINS:
 - (1) BAUER K18.1-20-E3 BREATHING AIR COMPRESSOR

COMPARTMENT R53 CONTAINS:
 - (1) HORIZONTAL FLOOR EXTENSION
 - (1) RACK FOR 20 SCBA BOTTLES
 - (1) 1/2 DEPTH ADJ SLIDE OUT/TILT TRAY
 - (1) STD DEPTH FLOOR MOUNTED TRAY
 - (1) 15/20A, 120V DUPLEX RECEPTACLE
 - BREATHING AIR PURIFIERS

COMPARTMENT R54 CONTAINS:
 - (1) CAB LIFT CONTROLLER



LEFT SIDE COMPARTMENTS CONTAIN THE FOLLOWING:

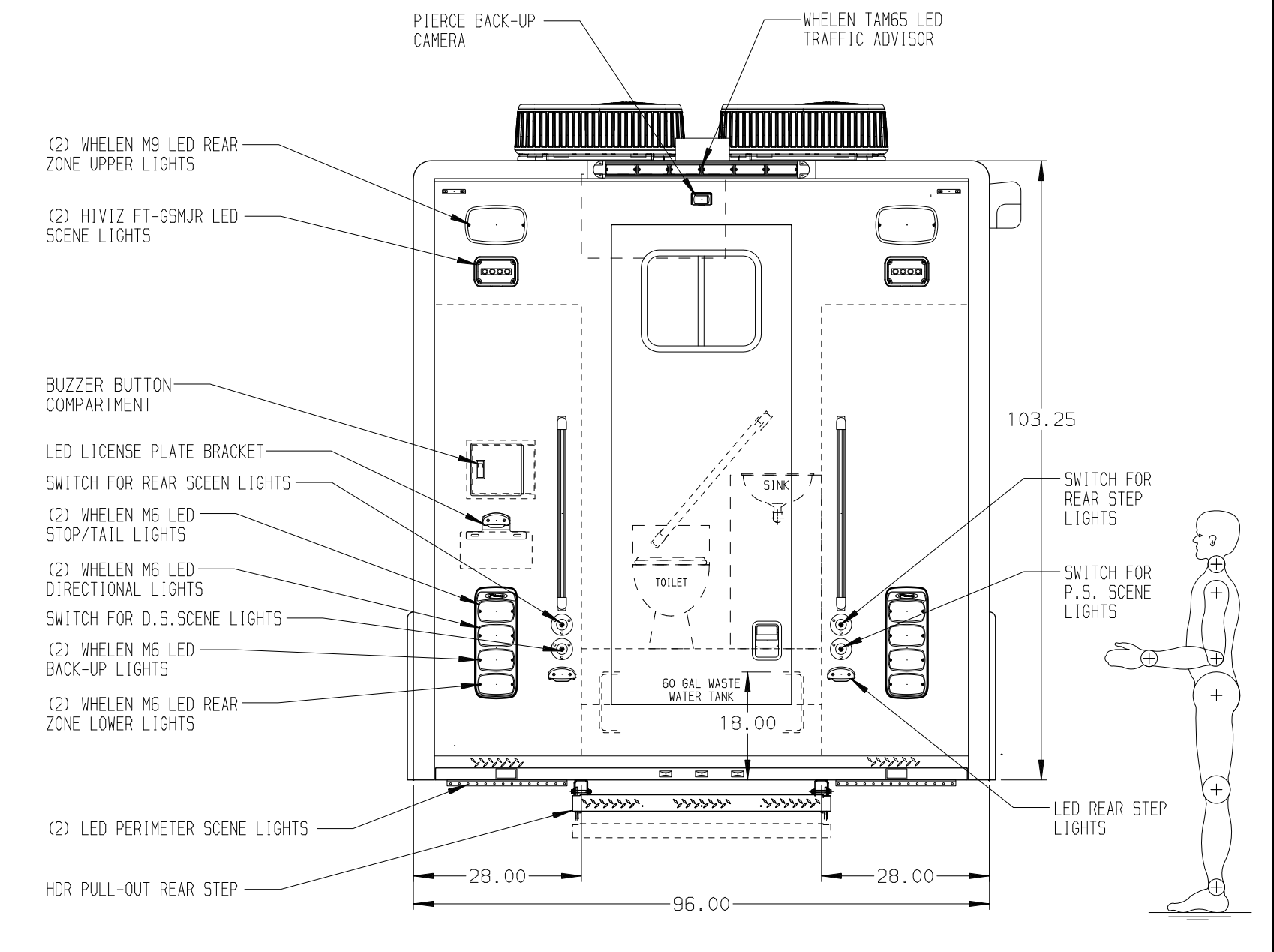
COMPARTMENT LS1 CONTAINS:
 - (1) SUB FEED BOX
 - (1) CIRCUIT BREAKER PANEL
 - (1) GENERATOR METER PANEL
 - (2) SUB FEED BOXES
 - (1) ELECTRIC CORD REEL WITH 300' OF 10/3 YELLOW CORD
 - (1) NIGHT SCAN CONTROLLER
 - (1) FLOOR MOUNTED TRAY

COMPARTMENT LS2 CONTAINS:
 - (1) BAUER K18.1-20-E3 BREATHING AIR COMPRESSOR

COMPARTMENT LS3 CONTAINS:
 - (1) STD DEPTH ADJ SHELF
 - (1) 50 GALLON WATER TANK WITH PUMP
 - (1) 1/2 DEPTH ADJ SLIDE OUT/TILT TRAY
 - (1) STD DEPTH FLOOR MOUNTED TRAY WITH SIDE SLIDES

COMPARTMENT LS4 CONTAINS:
 -

COMPARTMENT LS5 CONTAINS:
 - (1) IOTA 75AMP BATTERY CHARGER



NOTE
 DIMENSIONS SHOWN ARE APPROXIMATE AND ARE SUBJECT TO MINOR DEVIATIONS AS MAY OCCUR OR BE NECESSARY IN CONSTRUCTION. MINOR DETAILS NOT SHOWN.

NOTES:
 1. LIMA 40kW THREE PHASE GENERATOR LOCATED BETWEEN THE FRAME RAILS
 2. AIR INLET WITH DISCONNECT COUPLING LOCATED IN THE DRIVER'S SIDE STEP WELL OF CAB
 3. POLISHED 5/5 SCUFFPLATES ON CAB DOOR JAMBS
 4. FLOOR IN CAB AND CREW CAB TO BE PADDED RUBBER
 5. FIRECOM 5100D INTERCOM SYSTEM
 6. BATTERY CHARGE INDICATOR LOCATED ON DRIVER'S SEAT RISER
 7. 5/5 GUARDS ON ALL BODY ROLL-UP DOORS
 8. PIERCE LED LIGHT STRIPS IN ALL BODY COMPARTMENTS

REV	DATE	BY	CH	CHASSIS DATA
05JAN22	DHE	CDK	MAKE	
21DEC21	DHE	CDK	PIERCE	
11OCT21	DHE	CDK	MODEL	
			EN6024	

		JOB NO.	36490
		SCALE	DATE
TITLE	HEAVY DUTY RESCUE WALK-IN/NON-WALK-IN COMBO	DRAWN BY	DHE
FOR	TUCSON FIRE DEPARTMENT BID #671	CHECKED BY	CDK
DWG NO.	36490AD-SH1	SHEET SIZE	D
		SHEET NO.	1 OF 1