

RIGHT SIDE COMPARTMENTS CONTAIN THE FOLLOWING:

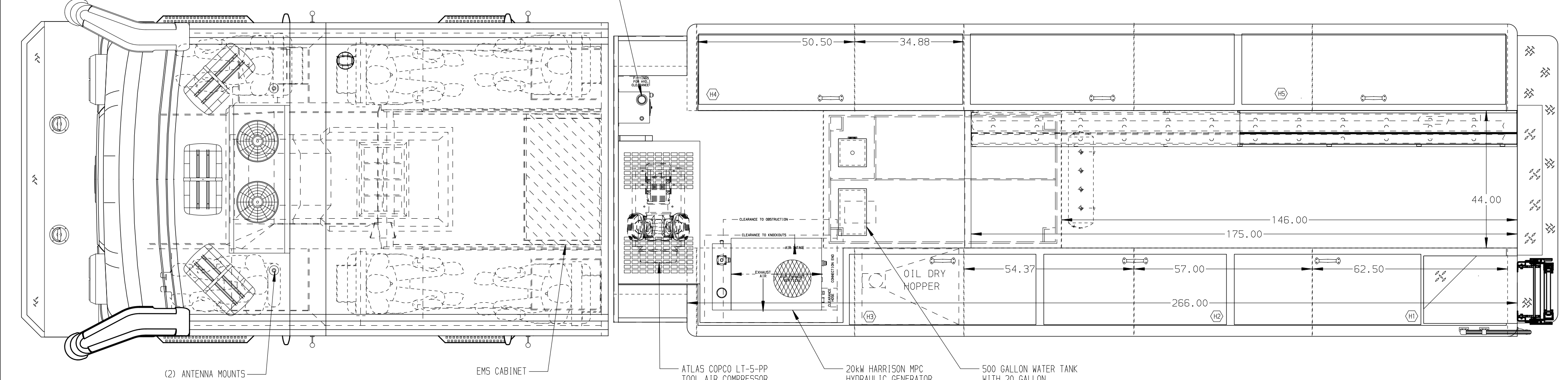
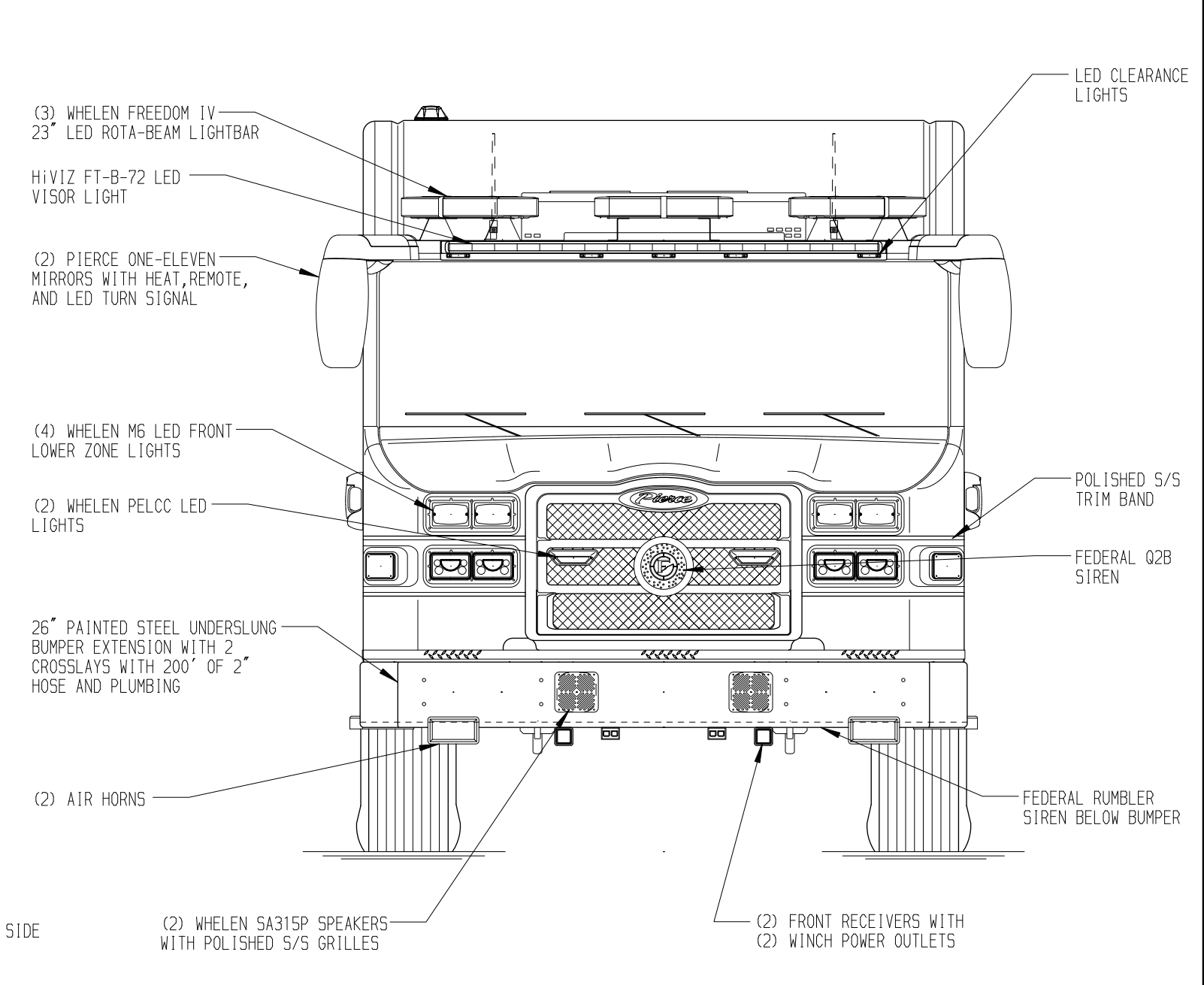
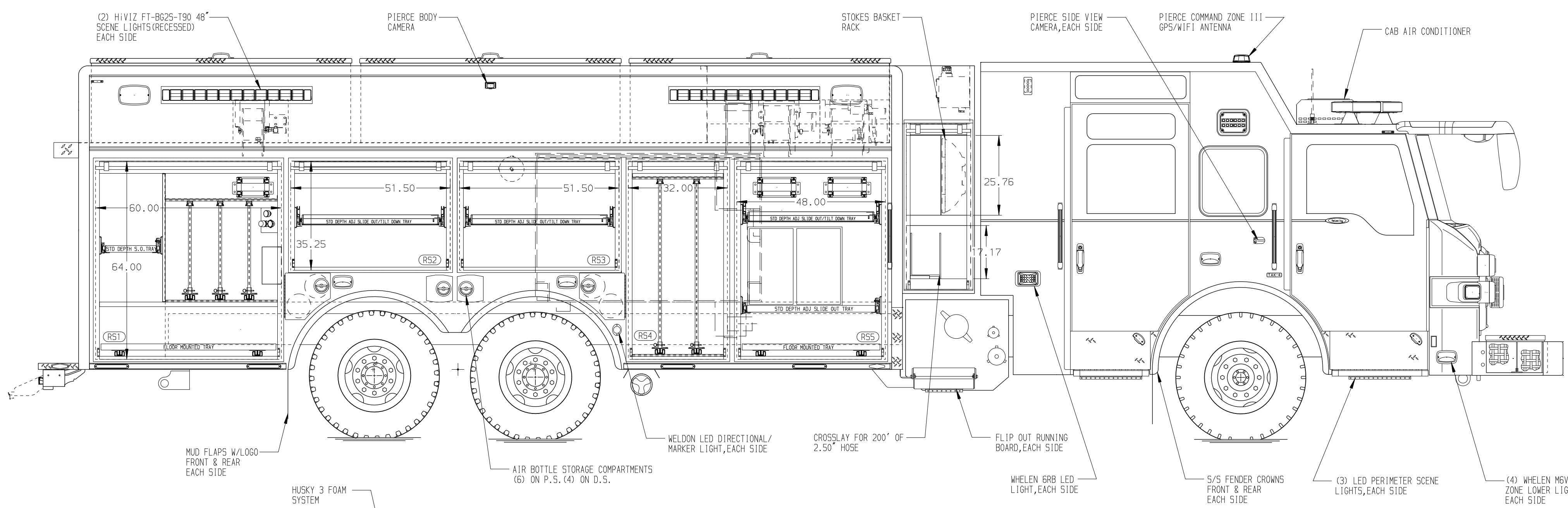
COMPARTMENT RS1 CONTAINS:
 - (1) STD DEPTH ADJ SLIDE OUT TRAY
 - (1) FLOOR MOUNTED TRAY
 - (3) STD DEPTH ADJ SLIDE OUT TOOLBOARDS
 - (1) HORIZONTAL FLOOR EXTENSION
 - (1) VERTICAL COMPARTMENT DIVIDER
 - (1) TOOL AIR REEL WITH 150' OF HOSE
 - REGULATOR AND GAUGES FOR AIR REEL
 - (1) ATLAS COPCO COMPRESSOR CONTROLLER

COMPARTMENT RS2 CONTAINS:
 - (1) STD DEPTH ADJ SLIDE OUT/TILT TRAY

COMPARTMENT RS3 CONTAINS:
 - (1) STD DEPTH ADJ SLIDE OUT/TILT TRAY

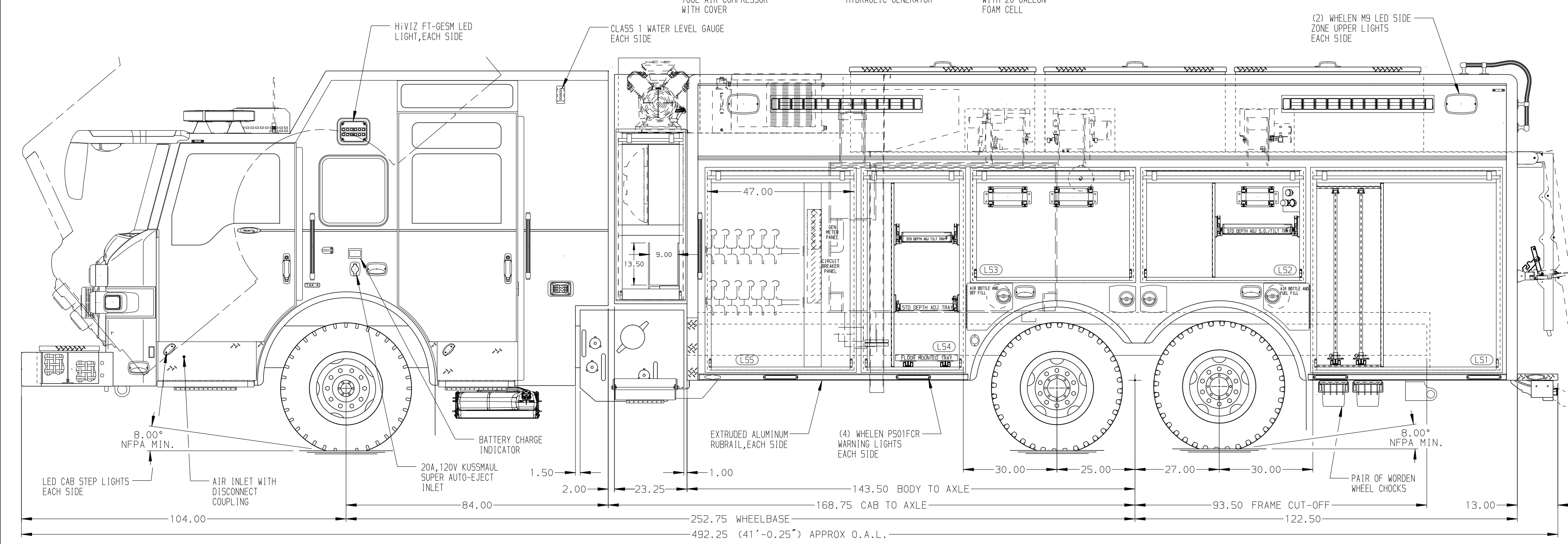
COMPARTMENT RS4 CONTAINS:
 - (2) STD DEPTH ADJ SLIDE OUT TOOLBOARDS

COMPARTMENT RS5 CONTAINS:
 - (1) STD DEPTH ADJ SLIDE OUT TRAY
 - (1) STD DEPTH ADJ SLIDE OUT/TILT TRAY
 - (1) FLOOR MOUNTED TRAY
 - (1) STORAGE MODULE
 - (1) ELECTRIC CORD REEL WITH 200' OF 10/3 YELLOW CORD
 - (1) HANNAY HYDRAULIC REEL WITH 100' OF 0.25" DUAL HOSE



REAR COMPARTMENT CONTAINS THE FOLLOWING:

COMPARTMENT B1 CONTAINS:
 - (1) HORIZONTAL FLOOR EXTENSION
 - (1) 90" DP ADJ SLIDE OUT TRAY
 - (1) 100" DP FLOOR MOUNTED SLIDE MASTER ELECTRIC SLIDE OUT TRAY WITH TOOLBOARD



LEFT SIDE COMPARTMENTS CONTAIN THE FOLLOWING:

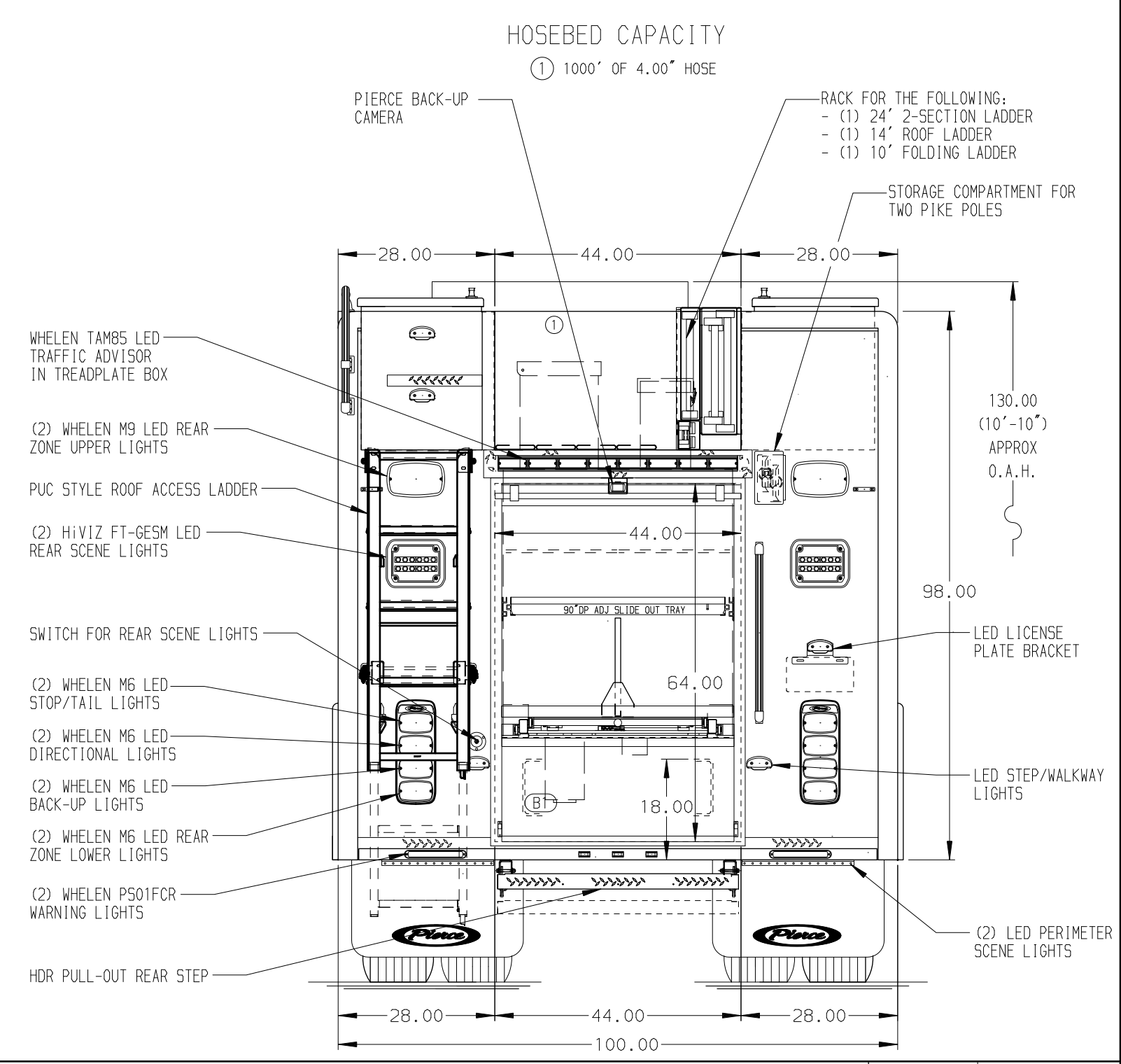
COMPARTMENT LS1 CONTAINS:
 - (2) STD DEPTH ADJ SLIDE OUT TOOLBOARDS
 - (1) VERTICAL COMPARTMENT DIVIDER
 - (1) HYDRAULIC REEL WITH 100' OF HOSE

COMPARTMENT LS2 CONTAINS:
 - (1) STD DEPTH ADJ SLIDE OUT/TILT TRAY
 - (1) VERTICAL COMPARTMENT DIVIDER
 - (1) TOOL AIR REEL WITH 150' OF HOSE
 - REGULATOR AND GAUGES FOR AIR REEL

COMPARTMENT LS3 CONTAINS:
 - (1) ELECTRIC CORD REEL WITH 200' OF 10/3 YELLOW CORD
 - (1) HANNAY HYDRAULIC REEL WITH 100' OF 0.25" DUAL HOSE

COMPARTMENT LS4 CONTAINS:
 - (1) STD DEPTH ADJ SLIDE OUT TRAY
 - (1) STD DEPTH ADJ SLIDE OUT/TILT TRAY
 - (1) VERTICAL COMPARTMENT DIVIDER
 - (1) OIL DRY HOPPER

COMPARTMENT LS5 CONTAINS:
 - PAC TRAC LOCATED ON REAR BACK WALL OF COMPARTMENT
 - (1) CIRCUIT BREAKER PANEL
 - (1) GENERATOR METER PANEL



NOTE
 DIMENSIONS SHOWN ARE APPROXIMATE AND ARE SUBJECT TO MINOR DEVIATIONS AS MAY OCCUR OR BE NECESSARY IN CONSTRUCTION. MINOR DETAILS NOT SHOWN.

NOTES:
 1. PIERCE 1500 GPM PUC PUMP
 2. POLISHED S/S SCUFFPLATES ON CAB DOOR JAMBS
 3. FLOOR IN CAB AND CREW CAB TO BE PADDED RUBBER
 4. KUSSMULL PUMP PLUS 1200 CHARGER LOCATED BEHIND THE DRIVER'S SEAT
 5. PIERCE LED STRIP LIGHTS IN ALL BODY AND HATCH COMPARTMENTS

CLEAR DOOR WIDTH KEY		CHASSIS DATA	
AMOR ROLL UP DOORS:	-2 1/4"	03DEC21	DHE AZU
CURTLE ROLL UP DOORS:	-2 1/2"	24SEP21	DHE AZU
PIERCE DOUBLE LIP DOORS:	-4 1/4"	REV	DATE BY CH
PIERCE LIFT-UP LAP DOORS:	-1 1/2"		
(EX: 60" F-F - 2 1/4" = 57 3/4" CLEAR) (F-F) = FRAME TO FRAME		VXFR8420	

		JOB NO.	36498
		SCALE	DATE
TITLE	HEAVY DUTY RESCUE NON-WALKIN/PUC WITH 500 GAL WATER TANK W/20 GAL FOAM LAKESIDE FIRE DISTRICT BID #761	DRAWN BY	DHE 26AUG21
FOR		CHECKED BY	AZU 30JUN21
DWG NO.	36498AD	SHEET SIZE	SHEET NO.
			D 1 OF 1