

PUMPER BODY

Medium Aluminum 2nd Gen Pumper

CHASSIS

Enforcer Chassis

CHASSIS

AXLE, FRONT, CUSTOM

19,500 Lb TAK-4 Axle

AXLE, REAR

27,000 Lb Dana Axle

ENGINE

450 HP Cummins L9 Engine

TRANSMISSION

Allison 5th Gen, 3000 EVS P

BUMPER

26" Underslung

CAB

7010 Enforcer Cab

BODY

WATER TANK

750 Gallon Poly Water Tank

COMPT, PUMPER, REAR

44.50" FF RollUp Rear Compt

COMPT, PUMPER, LEFT SIDE

152" RollUp Full Height & Depth Front & Rear

COMPT, PUMPER, RIGHT SIDE

152" RollUp Full Height Front & Rear FDLER

FIRE SUPPRESSION

PUMPHOUSE

45" Control Zone Side Mount

PUMP

1500 GPM Waterous CSU

CROSSLAYS, 1.50"

1.50" Crosslay Not Required

CROSSLAYS, 2.50"

2.50" Crosslay Not Required

SPEEDLAYS

Speedlays Not Required

GENERATOR

Generator Not Required

Foam System

Husky 3 Single Agent Foam System

Foam Cell

20 Gallon Foam Cell, Not Reduced Water

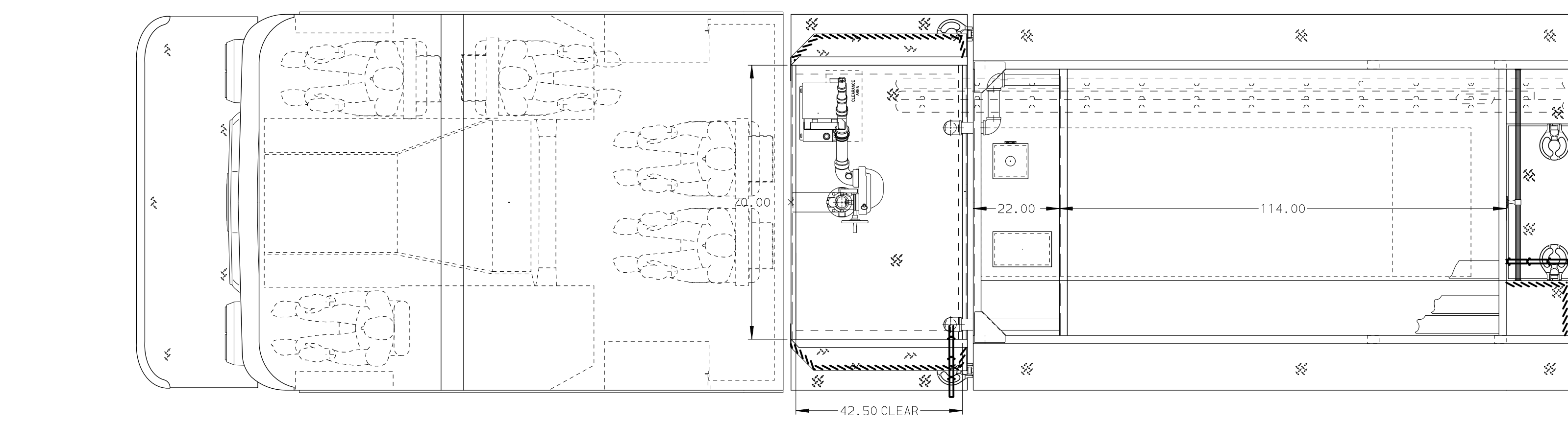
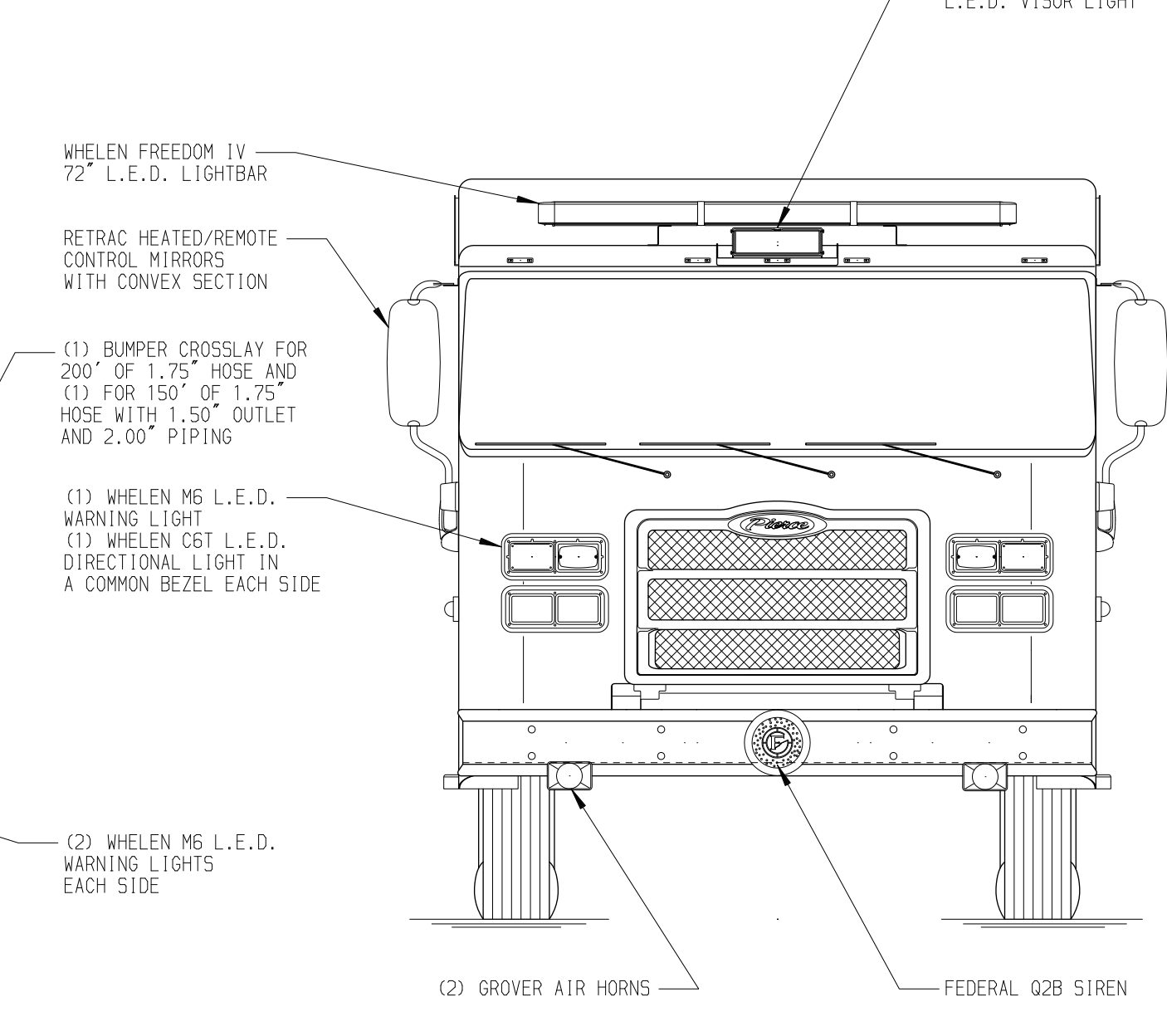
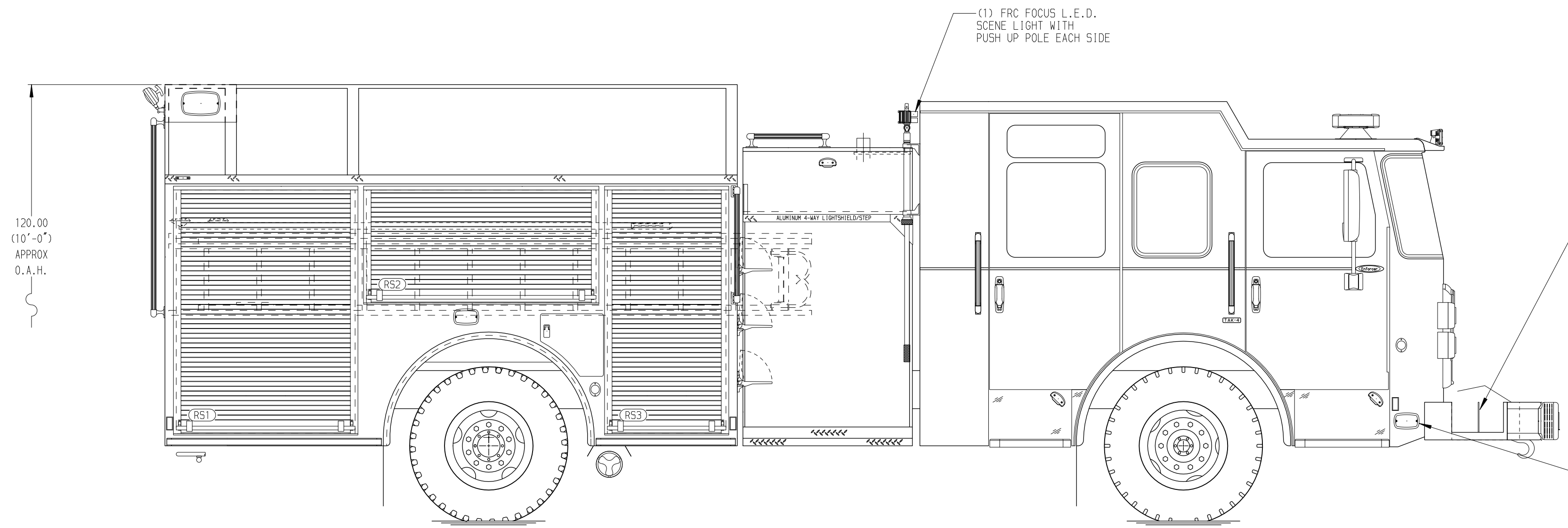
Side Roll and Frontal Impact Protection

NOTE

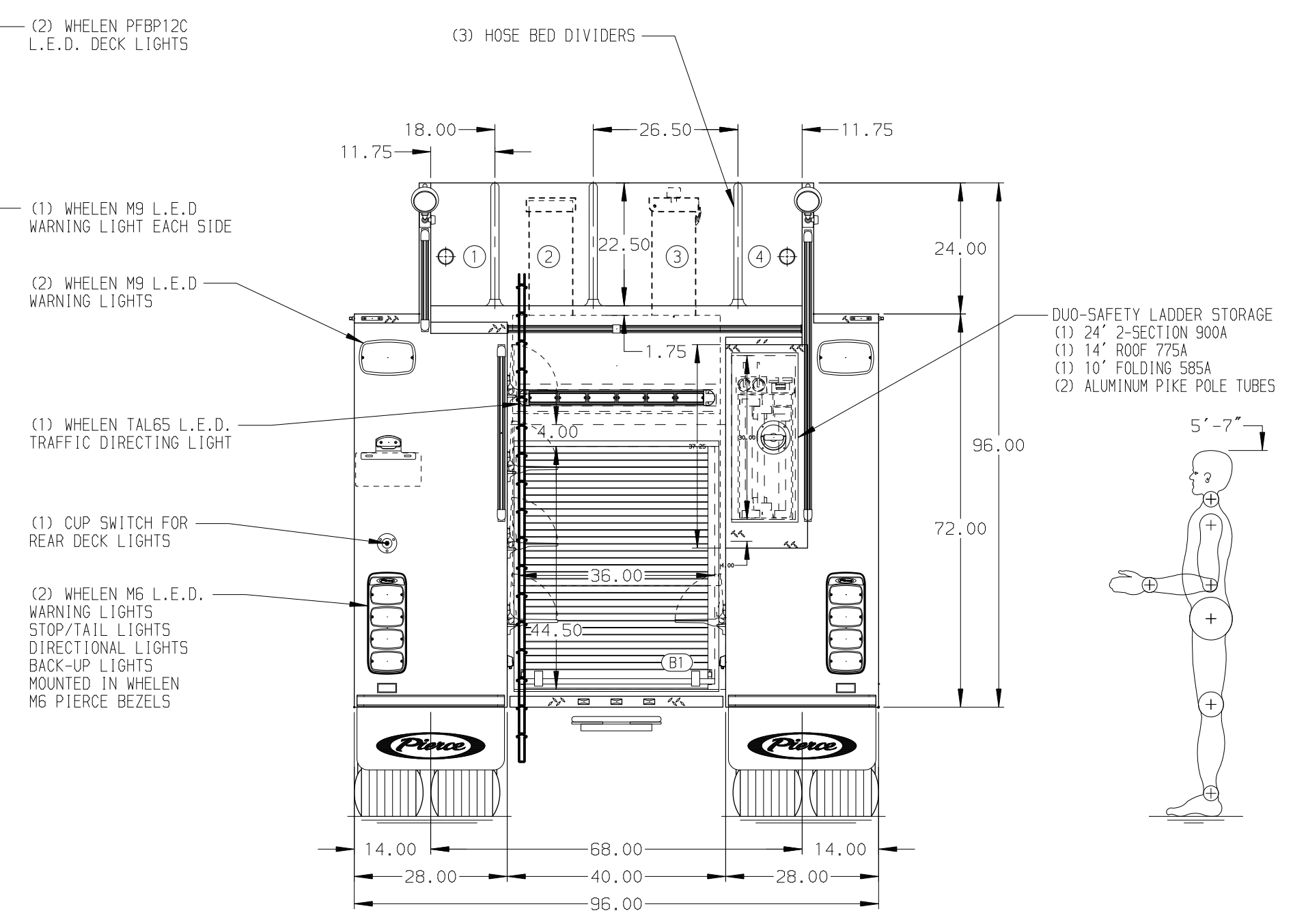
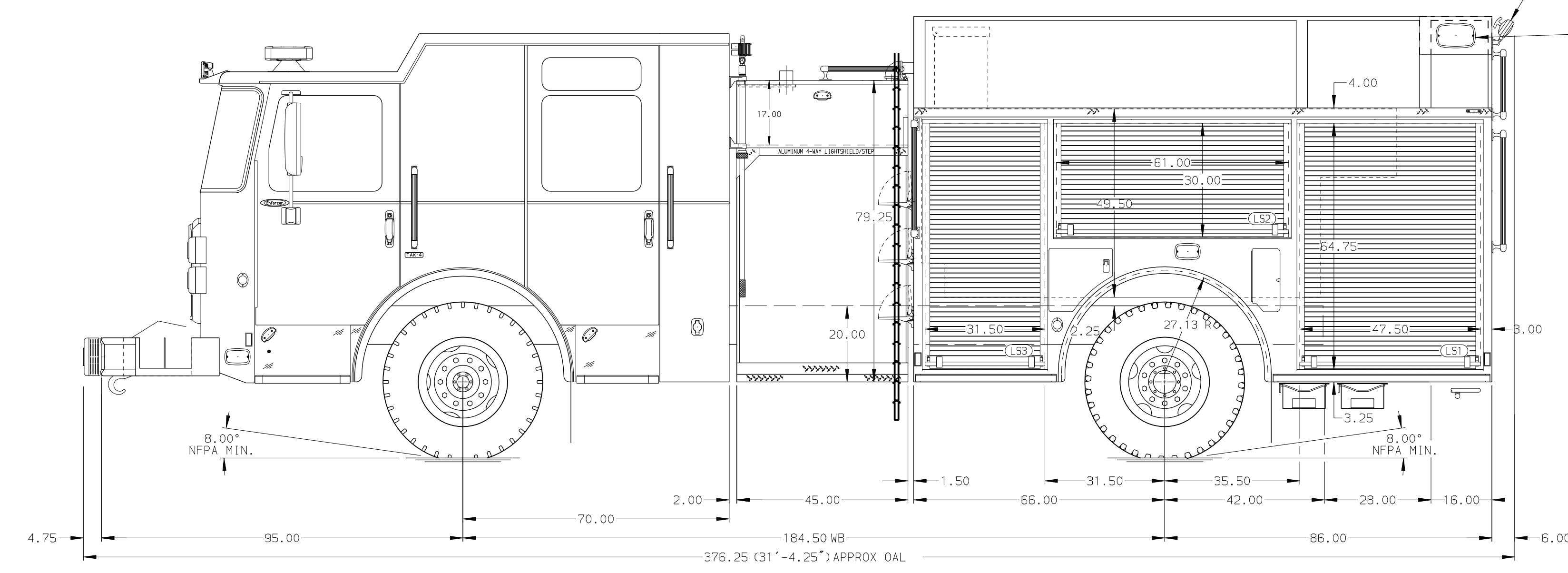
DIMENSIONS SHOWN ARE APPROXIMATE AND ARE SUBJECT TO MINOR DEVIATIONS AS MAY OCCUR OR BE NECESSARY IN CONSTRUCTION. MINOR DETAILS NOT SHOWN.

- ONE 1.50" OUTLET WITH 2.00" PIPING AND SHIVEL LOCATED IN CENTER BUMPER TRAY.
- SHORELINE RECEPTACLE WITH KISSMALL SUPER AUTO-EJECT LOCATED ON DRIVER SIDE BEHIND CREW CAB DOOR
- AIR INLET WITH DISCONNECT COUPLING IN THE DRIVER SIDE STEPIWELL
- BATTERY CHARGER LOCATED IN COMPARTMENT PER SHOP ORDER
- BATTERY CHARGE INDICATOR LOCATED ON THE DRIVER SIDE SEAT RISER
- SEVEN ADJUSTABLE SHELVES IN COMPARTMENTS PER SHOP ORDER
- THREE FLOOR MOUNTED SLIDE-OUT TRAY IN COMPARTMENT PER SHOP ORDER
- ONE TOOLBOARD LOCATED IN COMPARTMENT PER SHOP ORDER
- TWO PEGBOARDS LOCATED ON BACK WALL IN COMPARTMENT PER SHOP ORDER
- EIGHT SCBA BRACKETS LOCATED IN COMPARTMENT PER SHOP ORDER

- ONE WHELEN SA315 SPEAKER LOCATED BEHIND BUMPER



HOSEBED CAPACITY	
BED 1	500' OF 3.00" D.J. POLY HOSE
BED 2	400' OF 5.00" D.J. POLY HOSE
BED 3	600' OF 5.00" D.J. POLY HOSE
BED 4	500' OF 3.00" D.J. POLY HOSE



- DUO-SAFETY LADDER STORAGE
- 24" 2-SECTION 900A
 - 14" ROOF 775A
 - 10" FOLDING 585A
 - ALUMINUM PIKE POLE TUBES

	JOB NO.	36511																
	SCALE	DATE																
	TITLE	Pierce Pumper Approval Drawing																
	FOR	Winslow Fire Department																
<table border="1"> <thead> <tr> <th>REV</th> <th>DATE</th> <th>BY</th> <th>CH</th> </tr> </thead> <tbody> <tr> <td>01SEP21</td> <td>MMF</td> <td>COL</td> <td>MAKE</td> </tr> <tr> <td>18AUG21</td> <td>MMF</td> <td>COL</td> <td>PIERCE</td> </tr> <tr> <td>27MAY21</td> <td>MMF</td> <td>COL</td> <td>MODEL</td> </tr> </tbody> </table>	REV	DATE	BY	CH	01SEP21	MMF	COL	MAKE	18AUG21	MMF	COL	PIERCE	27MAY21	MMF	COL	MODEL	DWG NO.	36511AD
REV	DATE	BY	CH															
01SEP21	MMF	COL	MAKE															
18AUG21	MMF	COL	PIERCE															
27MAY21	MMF	COL	MODEL															
		SHEET NO.	1 OF 1															