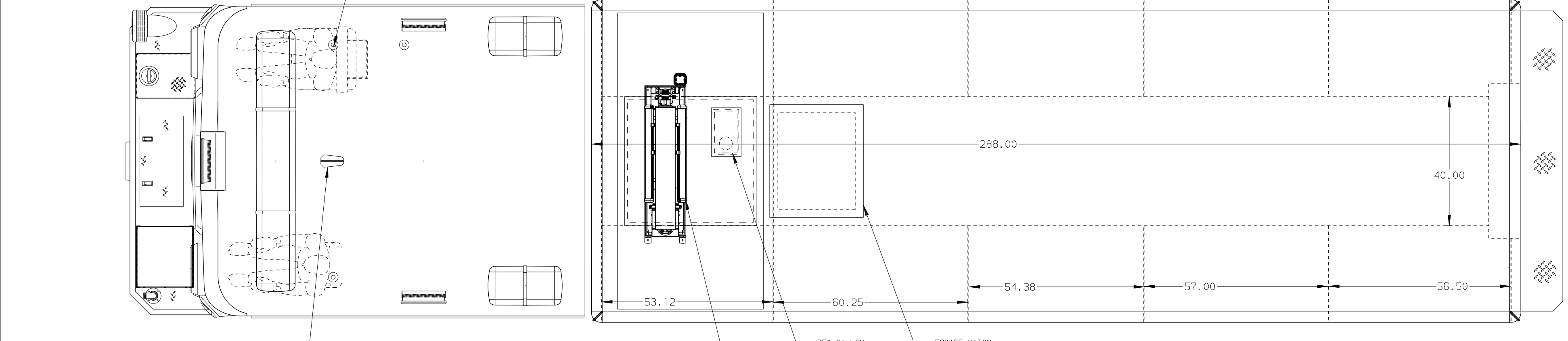
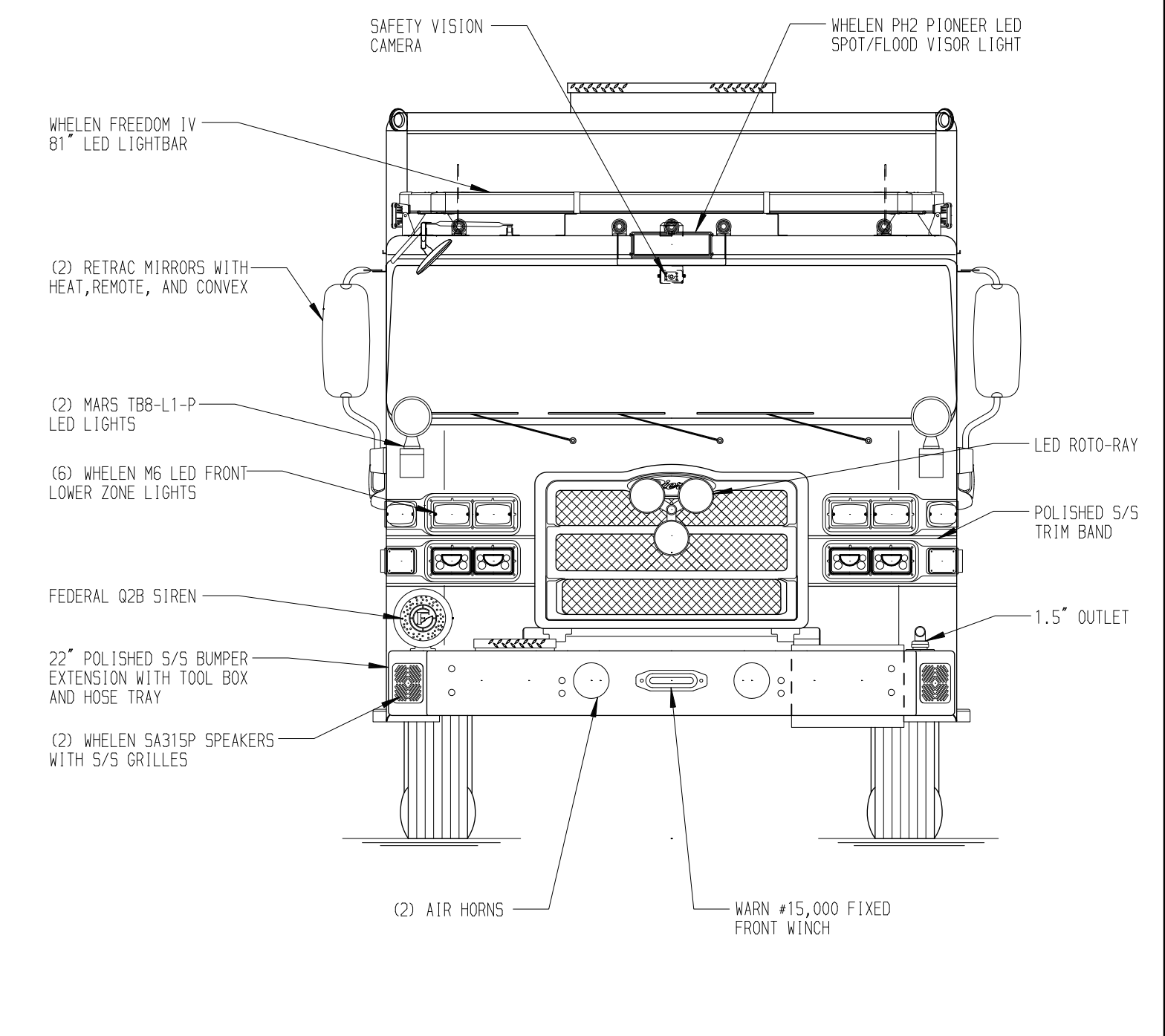
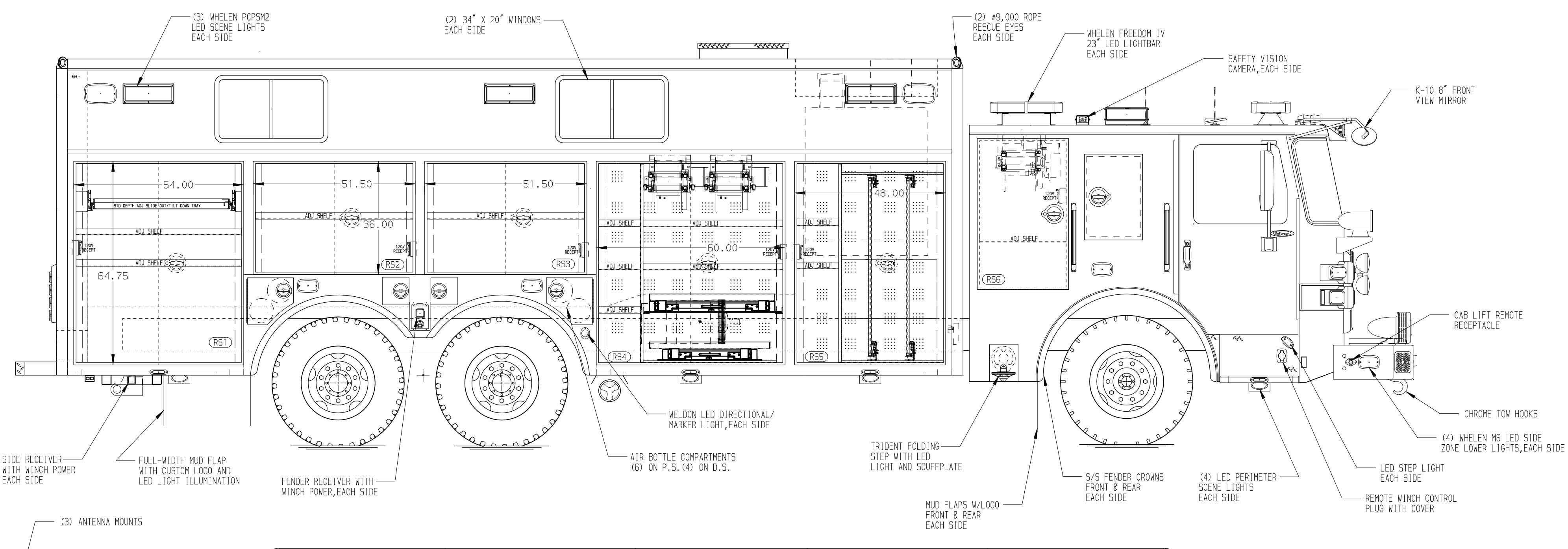
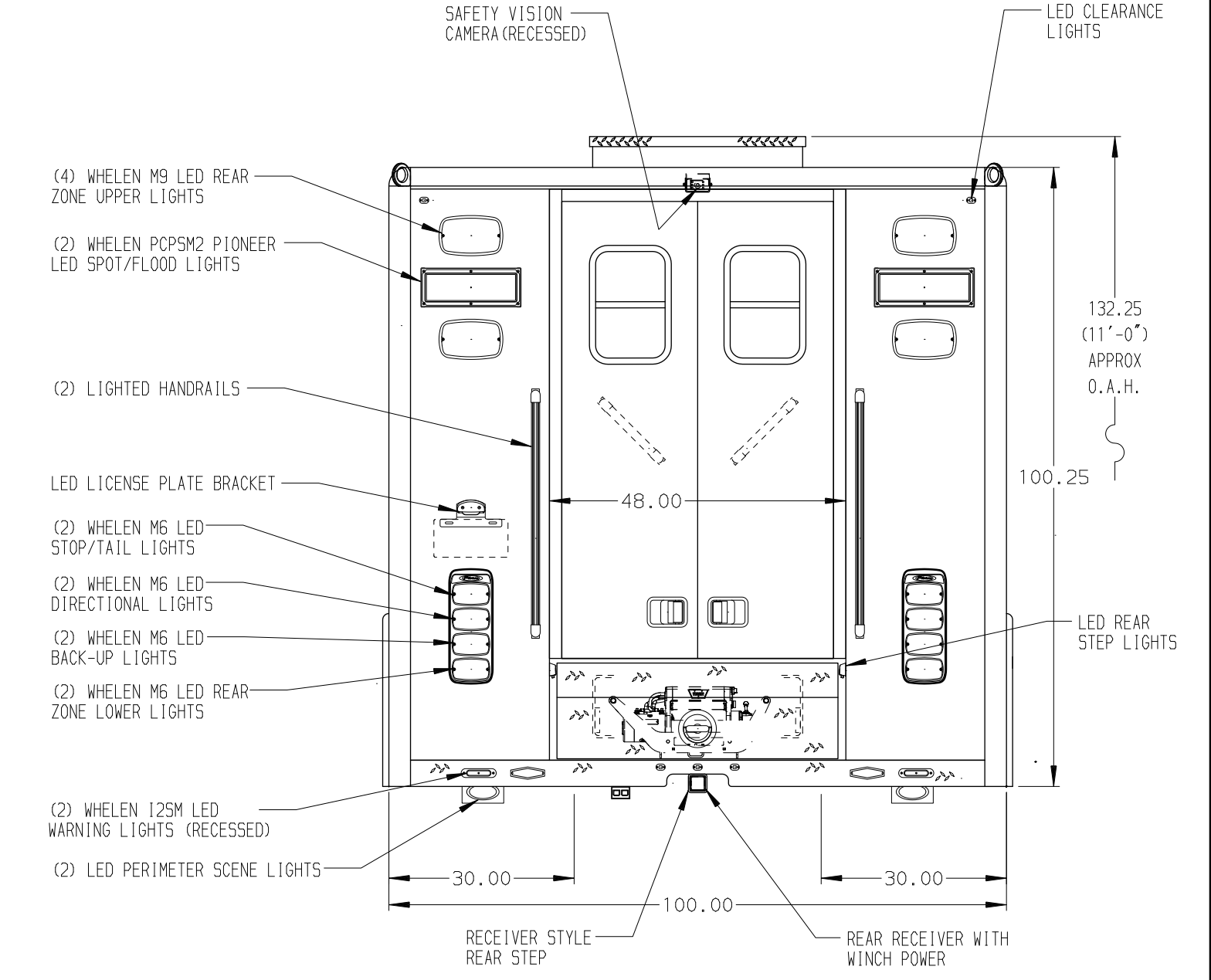
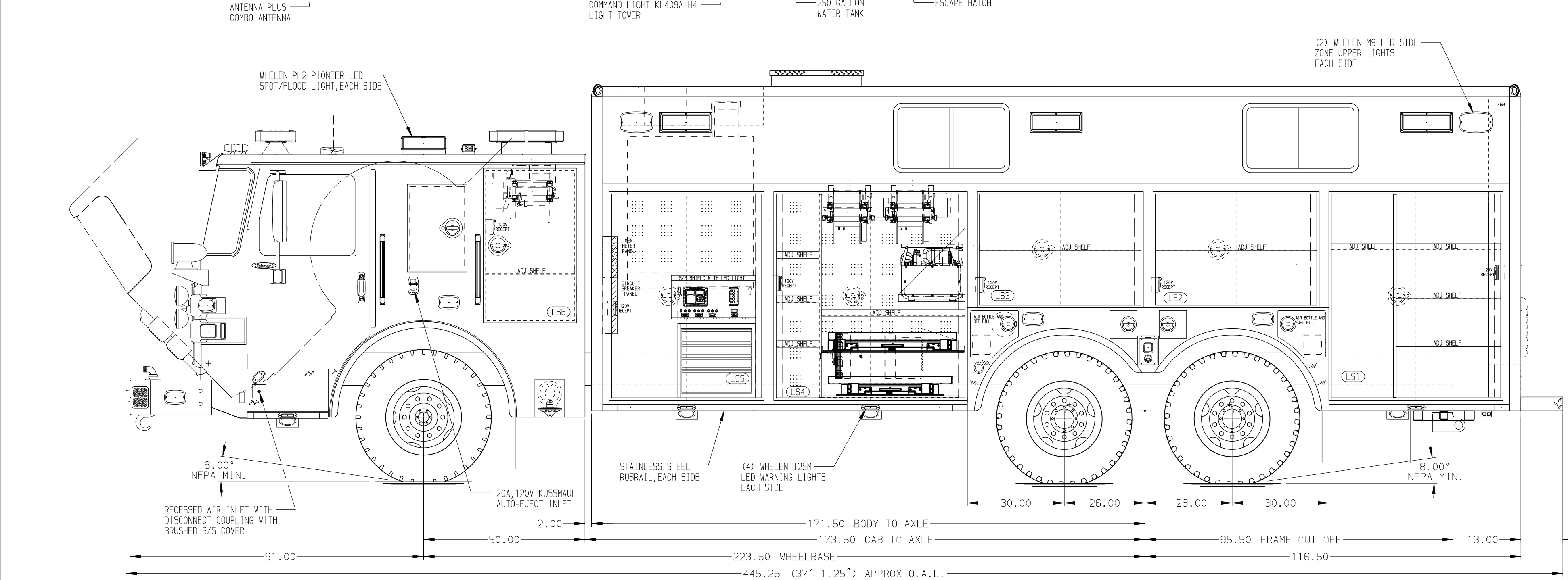


- RIGHT SIDE COMPARTMENTS CONTAIN THE FOLLOWING:**
- COMPARTMENT R51 CONTAINS:
 - (2) STANDARD DEPTH ADJ SHELVES
 - (1) STD DEPTH ADJ SLIDE OUT/TILT TRAY
 - (1) 15/20A, 120V DUPLEX RECEPTACLE
 - COMPARTMENT R52 CONTAINS:
 - (1) STANDARD DEPTH ADJ SHELF
 - (1) 15/20A, 120V DUPLEX RECEPTACLE
 - COMPARTMENT R53 CONTAINS:
 - (1) STANDARD DEPTH ADJ SHELF
 - (1) 15/20A, 120V DUPLEX RECEPTACLE
 - COMPARTMENT R54 CONTAINS:
 - (1) VERTICAL PEGBOARD DIVIDER
 - PEGBOARD ON SIDES AND BACK WALL OF COMPARTMENT
 - (3) STANDARD DEPTH ADJ SHELVES
 - (2) SPECIAL DEPTH ADJ SHELVES
 - (1) FLOOR MOUNTED ON-SCENE TRAY
 - (1) 15/20A, 120V DUPLEX RECEPTACLE
 - (1) 30A, 240V T.L. RECEPTACLE
 - (2) HYDRAULIC REELS W/100' OF HOSE
 - (2) FOLD OUT ROLLER GUIDES
 - COMPARTMENT R55 CONTAINS:
 - (1) CAB LIFT CONTROLLER
 - (1) VERTICAL PEGBOARD DIVIDER
 - PEGBOARD ON SIDES AND BACK WALL OF COMPARTMENT
 - (2) STANDARD DEPTH ADJ SHELVES
 - (2) SLIDE OUT TOOLBOARDS W/DUAL SLIDES
 - (1) 15/20A, 120V DUPLEX RECEPTACLE
 - (1) FOLD OUT ROLLER GUIDE
 - COMPARTMENT R56 CONTAINS:
 - (1) 1/2 DEPTH ADJ SHELF
 - 1/4" POLY ON COMPARTMENT FLOOR
 - (1) ELECTRIC CORD REEL WITH 200' OF 10/3 BLACK CORD
 - (1) 15/20A, 120V DUPLEX RECEPTACLE
 - (1) FOLD OUT ROLLER GUIDE



- LEFT SIDE COMPARTMENTS CONTAIN THE FOLLOWING:**
- COMPARTMENT L51 CONTAINS:
 - (1) VERTICAL PEGBOARD DIVIDER
 - (4) STANDARD DEPTH ADJ SHELVES
 - (1) 15/20A, 120V DUPLEX RECEPTACLE
 - COMPARTMENT L52 CONTAINS:
 - (1) STANDARD DEPTH ADJ SHELF
 - (1) 15/20A, 120V DUPLEX RECEPTACLE
 - COMPARTMENT L53 CONTAINS:
 - (1) STANDARD DEPTH ADJ SHELF
 - (1) 15/20A, 120V DUPLEX RECEPTACLE
 - COMPARTMENT L54 CONTAINS:
 - (1) VERTICAL PEGBOARD DIVIDER
 - PEGBOARD ON SIDES AND BACK WALL OF COMPARTMENT
 - (1) GUSSETED SHELF FOR POWER UNIT
 - (3) STANDARD DEPTH ADJ SHELVES
 - (1) SPECIAL DEPTH ADJ SHELF
 - (1) SPECIAL DEPTH ON-SCENE TRAY
 - (1) FLOOR MOUNTED ON-SCENE TRAY
 - (1) 15/20A, 120V DUPLEX RECEPTACLE
 - (1) 30A, 240V T.L. RECEPTACLE
 - (2) HYDRAULIC REELS W/100' OF HOSE
 - (2) FOLD OUT ROLLER GUIDES
 - COMPARTMENT L55 CONTAINS:
 - PEGBOARD ON SIDES AND BACK WALL OF COMPARTMENT
 - (1) 4-DRAWER C-TECH CABINET
 - (1) CIRCUIT BREAKER PANEL
 - (1) GENERATOR METER PANEL
 - (1) COMMAND LIGHT CONTROLLER
 - (1) 15/20A, 120V DUPLEX RECEPTACLE
 - COMPARTMENT L56 CONTAINS:
 - (1) 1/2 DEPTH ADJ SHELF
 - 1/4" POLY ON COMPARTMENT FLOOR
 - (1) ELECTRIC CORD REEL WITH 200' OF 10/3 BLACK CORD
 - (1) 15/20A, 120V DUPLEX RECEPTACLE
 - (1) FOLD OUT ROLLER GUIDE



NOTE
DIMENSIONS SHOWN ARE APPROXIMATE AND ARE SUBJECT TO MINOR DEVIATIONS AS MAY OCCUR OR BE NECESSARY IN CONSTRUCTION. MINOR DETAILS NOT SHOWN.

- NOTES:**
- ONSPOT AUTOMATIC TIRE CHAINS LOCATED BETWEEN THE FRAME RAILS
 - WARN #10,000 ZEON PORTABLE RECEIVER
 - POLISHED 5/5 SCUFFPLATES ON CAB DOOR JAMBS
 - FLOOR IN CAB TO BE PADDED RUBBER
 - KUSSMAUL PUMP PLUS 1200 CHARGER LOCATED BEHIND DRIVER'S SEAT
 - PIERCE LED STRIP LIGHTS IN ALL BODY COMPARTMENTS
 - HALE CBP 250 GPM SINGLE STAGE WATER PUMP
 - ONAN 300W SINGLE PHASE 110 DRIVEN GENERATOR WITH SPLASH GUARD LOCATED BETWEEN THE FRAME RAILS
 - (2) PINNABLE #9,000 ROPE ANCHORS SHIPPED LOOSE

NOTE:
LAP DOORS HAVE BEEN SHOWN IN HIDDEN LINES TO CLEARLY IDENTIFY THE EQUIPMENT IN EACH COMPARTMENT. DASHED LINES ON SIDES ARE DOORS IN OPEN POSITION

CLEAR DOOR WIDTH KEY

AMOR ROLL UP DOORS:	-2 1/4"
CORTITE ROLL UP DOORS:	-2 1/2"
PIERCE DOUBLE LAP DOORS:	-4 1/4"
PIERCE LIFT-UP LAP DOORS:	-1 1/2"

(EX: 60" F-F - 2 1/4" = 57 3/4" CLEAR)
(F-F) = FRAME TO FRAME

CUSTOMER APPROVAL		Pierce MANUFACTURING INC.		JOB NO.	36533
APPROVED BY:				SCALE	1:24
DATE:				DATE	
TITLE	HEAVY DUTY RESCUE WALKIN	FOR	WALDORF VOLUNTEER FIRE DEPARTMENT	DRAWN BY	DHE
MAKE	PIERCE	FOR	BID #638	CHECKED BY	AZU
MODEL	EN5000	BY	RANDY SCHWARTZ	SHEET SIZE	D
REV	010CT21	DATE		DWG NO.	36533AD-SH1
BY	DHE	CH		SHEET NO.	1 OF 1