

Pumper, PUC

BODY

Pumper, PUC, Aluminum

CHASSIS

Enforcer Chassis, PUC

CHASSIS AXLE, FRONT, CUSTOM

20,000 Lb Dana Axle

AXLE, REAR

31,000 Lb Dana Axle

ENGINE

500 HP Cummins X12 Engine

TRANSMISSION

Allison 5th Gen, 4500 EVS P

BUMPER

19" Extended Painted Steel

CAB

7010 Enforcer Cab, PUC

BODY

WATER TANK

1000 Gallon Poly Water Tank

COMPT, PUMPER, REAR

Tool Compartment w/Tailboard, PUC

COMPT, PUMPER, LEFT SIDE

189" RollUp Full Height & Depth Front & Rear, PUC

COMPT, PUMPER, RIGHT SIDE

189" RollUp Full Height & Depth Front & Rear, PUC

FIRE SUPPRESSION

PUMPHOUSE

Control Zone, PUC

PUMP

1500 GPM Pierce PUC

CROSSLAYS, 1.50"

(2) 1.50", Poly Trays, 200"

CROSSLAYS, 2.50"

(1) 2.50", Poly Tray, 200"

GENERATOR

Generator Not Required

Foam System

Husky 3 Single Agent Foam System

Foam Cell

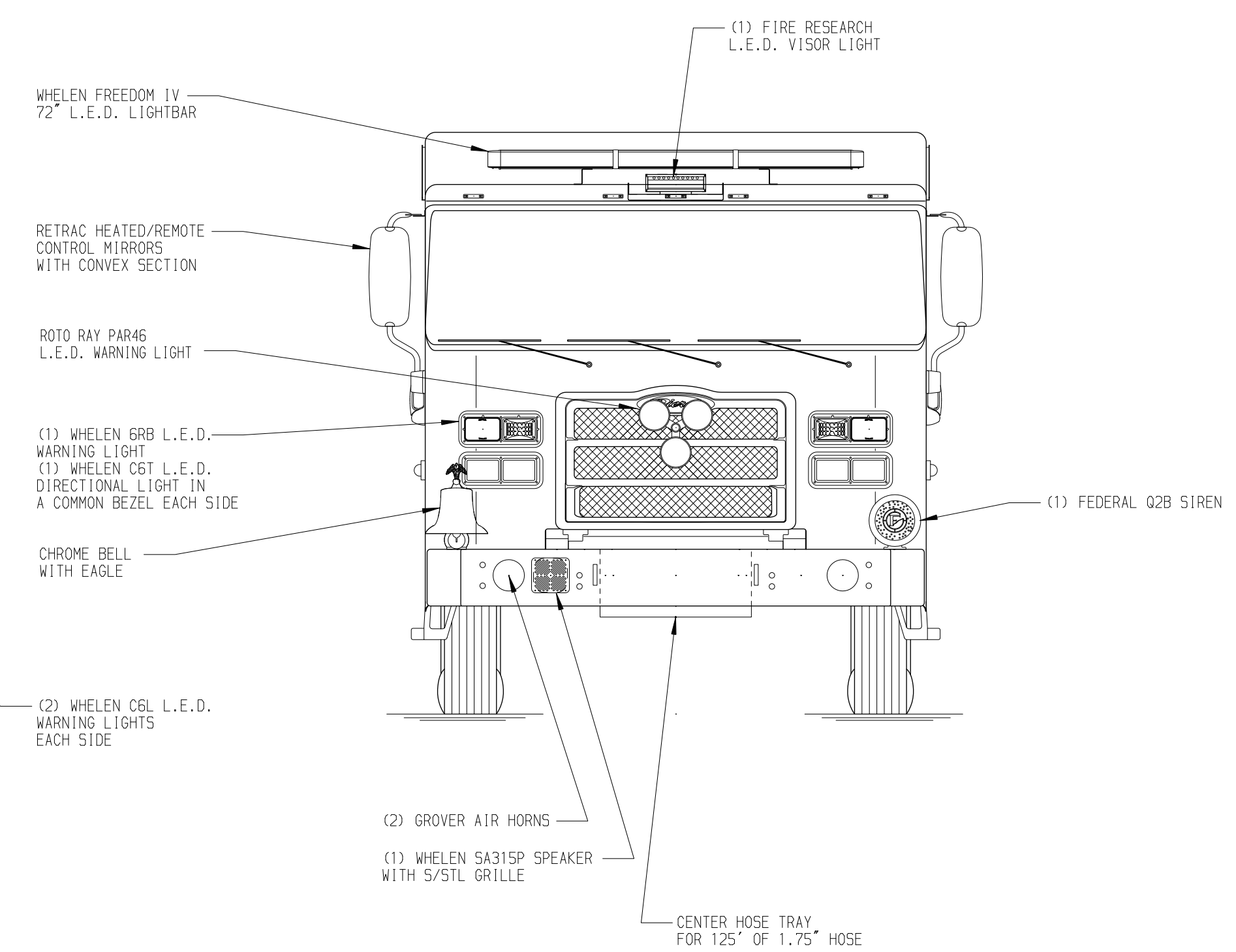
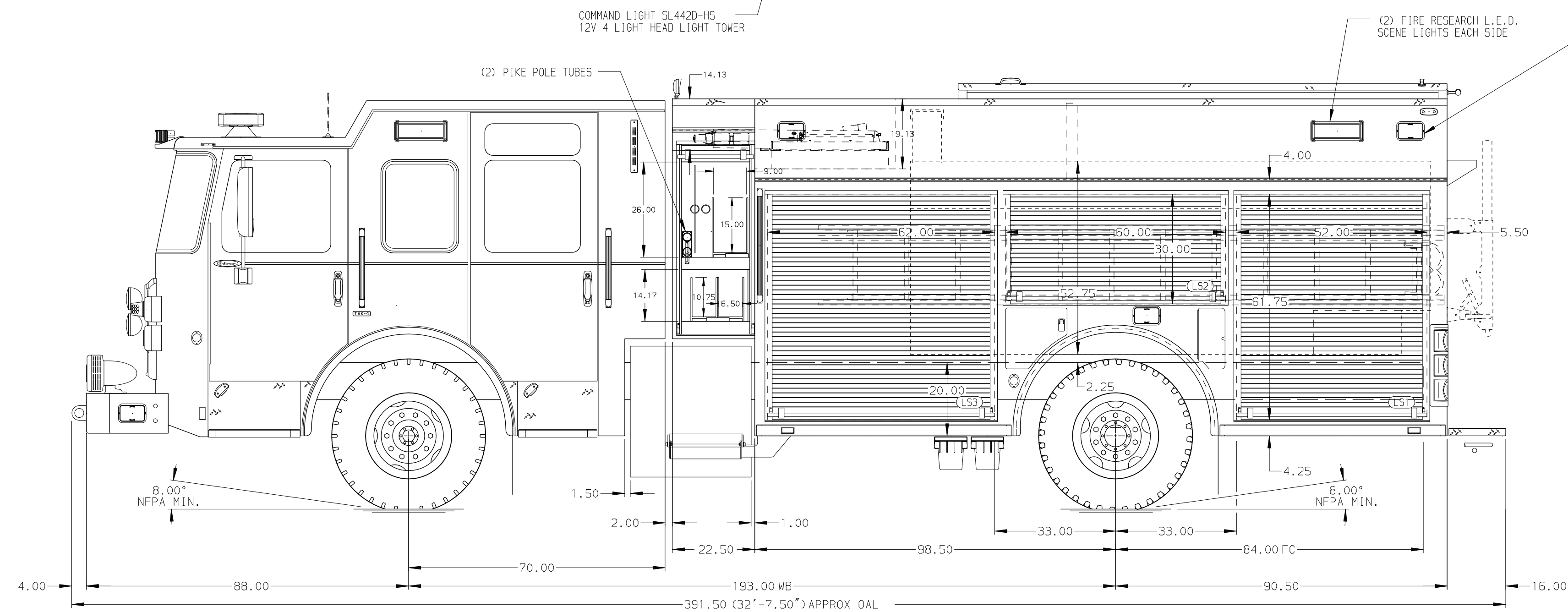
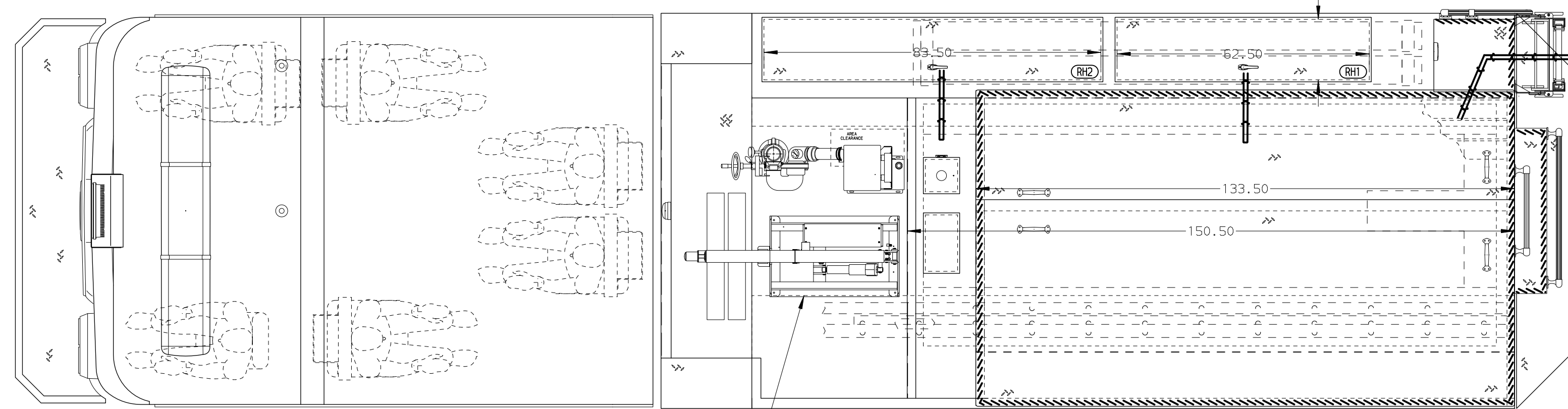
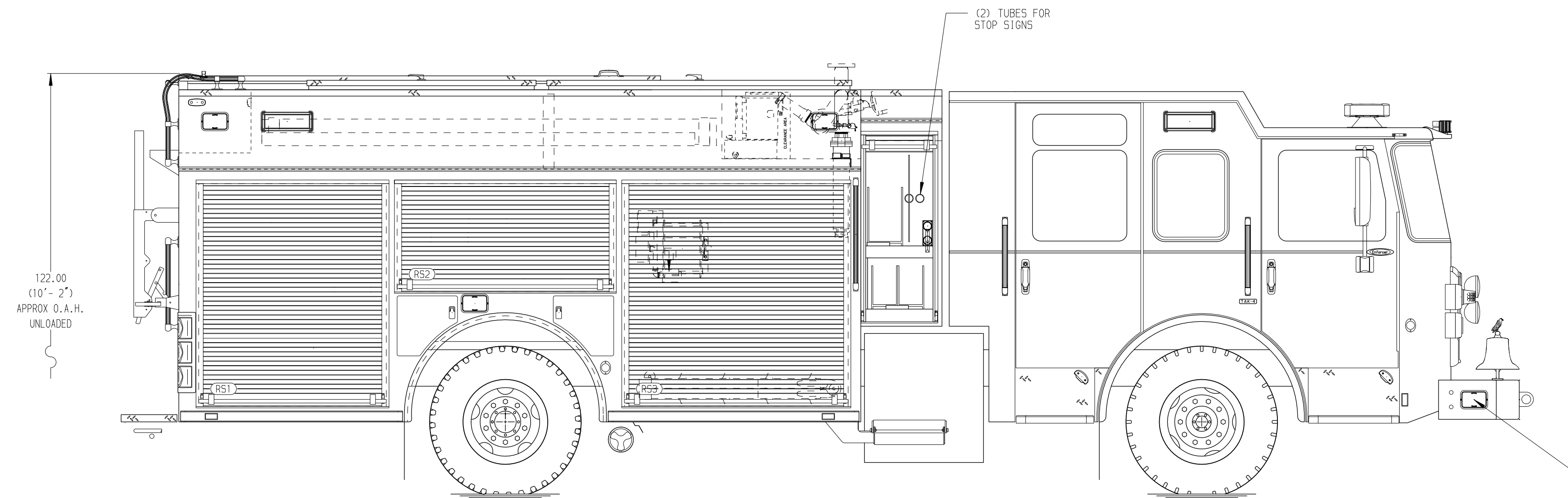
20 Gallon Foam Cell, Not Reduced Water, PUC

Side Roll and Frontal Impact Protection

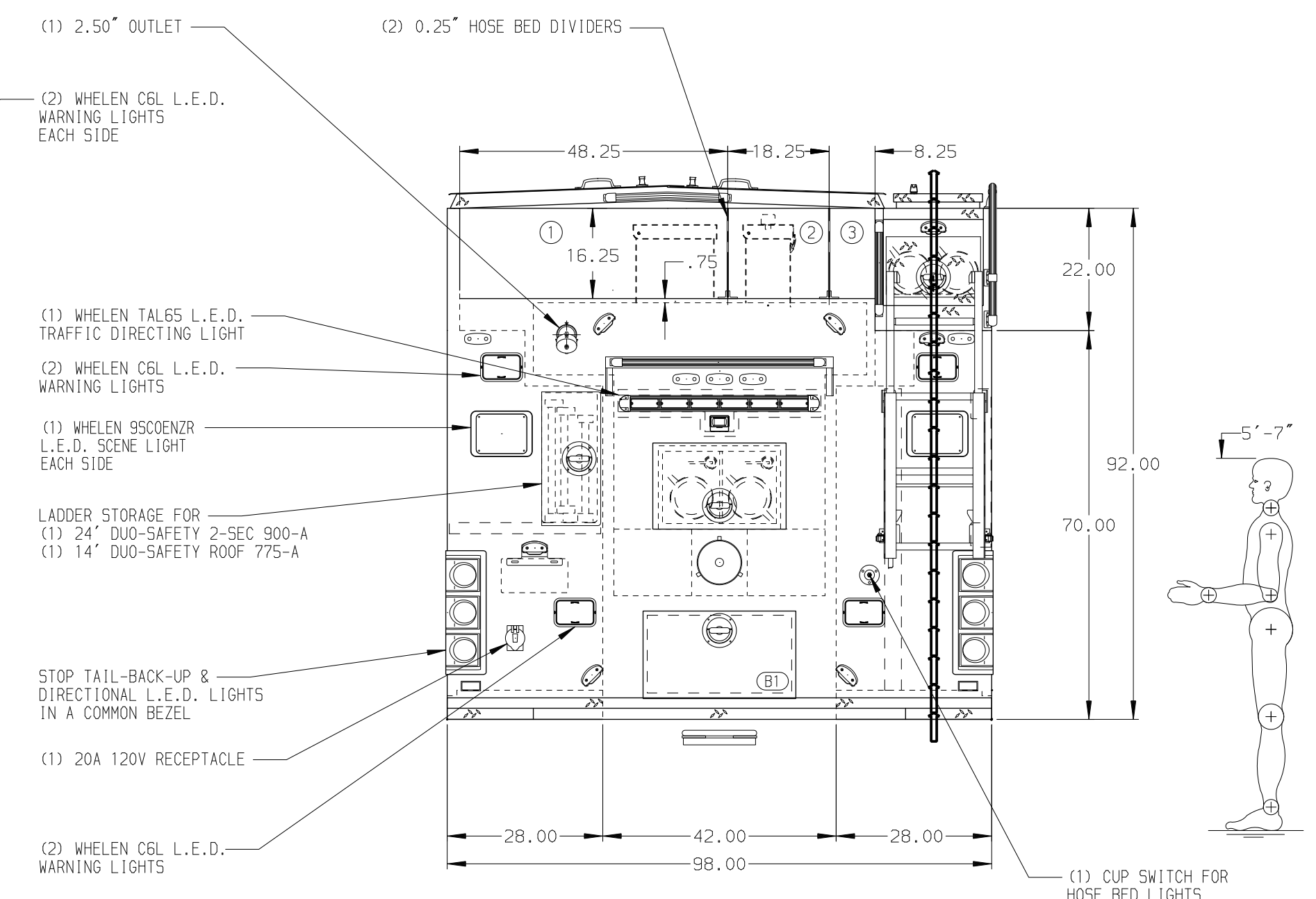
MAXIMUM O.A.H. 122.00"

NOTE
DIMENSIONS SHOWN ARE APPROXIMATE AND ARE SUBJECT TO MINOR DEVIATIONS AS MAY OCCUR OR BE NECESSARY IN CONSTRUCTION. MINOR DETAILS NOT SHOWN.

- ONE 1.50" OUTLET WITH 2.00" PIPING AND SWIVEL LOCATED IN CENTER BUMPER TRAY
- SHORELINE RECEPTACLE WITH KUSSMAUL SUPER AUTO-EJECT LOCATED ON DRIVER SIDE SEAT RISER
- AIR INLET WITH DISCONNECT COUPLING IN THE DRIVER SIDE SEAT RISER
- BATTERY CHARGER LOCATED IN COMPARTMENT PER SHOP ORDER
- BATTERY CHARGE INDICATOR LOCATED ON THE DRIVER SIDE SEAT RISER
- TEN ADJUSTABLE SHELVES IN COMPARTMENTS PER SHOP ORDER
- ONE FLOOR MOUNTED SLIDE-OUT TRAY IN COMPARTMENT PER SHOP ORDER
- TWO SWING-OUT TOOLBOARDS LOCATED PER SHOP ORDER
- LITTLE GIANT LADDER MODEL 17 REVOLUTION XE LOCATED PER SHOP ORDER
- HANNAY ELECTRIC CORD REEL (E1618-17-18) FOR 150' OF 10/3 CABLE LOCATED PER SHOP ORDER
- NORCOLD REFRIGERATOR NR751BB LOCATED PER SHOP ORDER
- KUSSMAUL INVERTER LOCATED PER SHOP ORDER



HOSEBED CAPACITY	
BED 1	1000' OF 5.00" D.J. POLY HOSE
BED 2	500' OF 2.50" D.J. POLY HOSE
BED 3	300' OF 1.75" D.J. POLY HOSE



		JOB NO.	36544
		SCALE	DATE
Pierce PUC Pumper Approval Drawing		DRAWN BY	MMF
Lodi Area Fire Department		CHECKED BY	COL
DWG NO. 36544AD		SHEET SIZE	SHEET NO.
		D	1 OF 1

REV	DATE	BY	CH	ENFORCER
21DEC21	MMF	DTJ	MAKE	CHASSIS DATA
08DEC21	MMF	DTJ	PIERCE	FOR
06OCT21	MMF	PJP	MODEL	