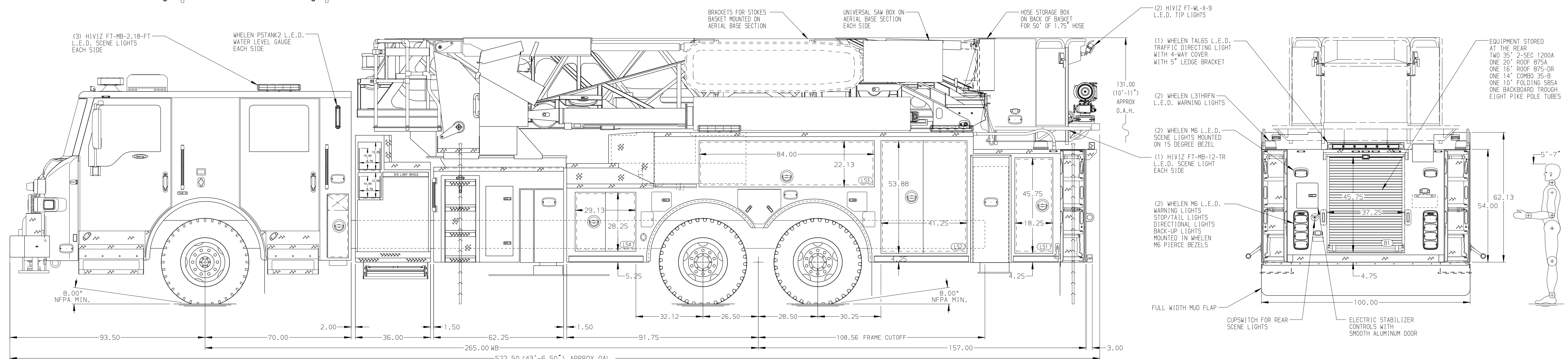


<b>BODY</b> 100' Ascendant Aerial Tower Alum Body COMPT, LEFT SIDE Full Height Lap Doors COMPT, RIGHT SIDE Full Height Lap Doors	<b>WATER TANK</b> 300 Gal/Lon Poly Water Tank Foam System Foam System Not Required Foam Cell Foam Cell Not Required
---	--



<b>CHASSIS</b> Velocity Chassis (Big Block) ENGINE 525 HP DD13 Engine	<b>CAB</b> 7000 Velocity FR Cab BUMPER 15" Painted Aluminum	<b>AXLE, FRONT, CUSTOM</b> 24,000 Lb TAK-4 Axle AXLE, REAR 54,000 Lb Meritor Axle	<b>TRANSMISSION</b> Allison 5th Gen, 4000 EV5 P	<b>PUMPHOUSE</b> 36" Control Zone Side Mount PUMP 2000 GPM Waterous S100	<b>CROSSLAYS, 1.50"</b> (2) 1.50", With Trays, 200' <b>CROSSLAYS, 2.50"</b> 2.50" Crosslay Not Required	<b>SPEEDLAYS</b> Speedlays Not Required <b>GENERATOR</b> Generator Not Required
--	--	--	--	---	--	--

**NOTE**  
DIMENSIONS SHOWN ARE APPROXIMATE AND ARE SUBJECT TO MINOR DEVIATIONS AS MAY OCCUR OR BE NECESSARY IN CONSTRUCTION. MINOR DETAILS NOT SHOWN.

- SHORELINE RECEPTACLE WITH KUSSMALL SUPER AUTO-EJECT LOCATED ON DRIVER SIDE OF THE CAB
- AIR INLET/OUTLET LOCATED ON THE DRIVER SIDE PUMP PANEL
- BATTERY CHARGER LOCATED BEHIND DRIVER'S SEAT
- BATTERY CHARGE INDICATOR LOCATED ON DRIVER SIDE OF THE CAB
- L.E.D. LIGHT STRIPS WITH STAINLESS STEEL PROTECTIVE COVER LOCATED IN HOSE BED
- FOUR 5/8" SCUFFPLATE (8.00" HIGH) ON INSIDE DOOR OF COMPARTMENTS PER SHOP ORDER
- SIX ADJUSTABLE FULL WIDTH/FULL DEPTH SHELVES IN COMPARTMENTS PER SHOP ORDER
- ONE ADJUSTABLE TILTING SLIDE-OUT TRAY IN COMPARTMENT PER SHOP ORDER
- FOUR FLOOR MOUNTED SLIDE-OUT TRAYS IN COMPARTMENTS PER SHOP ORDER
- TWO ADJUSTABLE TOOL BOARDS MOUNTED TO SLIDE-OUT TRAY IN COMPARTMENTS PER SHOP ORDER
- ONE SWING-OUT ALUMINUM TOOL BOARD IN COMPARTMENT PER SHOP ORDER
- ONE CATCH 3-DRAWER ASSEMBLY IN COMPARTMENT PER SHOP ORDER
- ONE 120V DUPLEX RECEPTACLE LOCATED IN CAB PER SHOP ORDER
- TWO 120V DUPLEX RECEPTACLES LOCATED IN COMPARTMENTS PER SHOP ORDER
- DC POWER TO AERIAL BASKET
- NON-RAISED AERIAL PEDESTAL
- 3-in-1 LYFECOMBO BRACKETS AT AERIAL BASKET

<b>Pierce MANUFACTURING INC.</b>		JOB NO.	36545
TITLE		SCALE	DATE
100' ASCENDANT AERIAL TOWER AND BODY ASSEMBLY		1:24	29JUL21
FOR		CHECKED BY	29JUL21
CARTERSVILLE FIRE DEPARTMENT		NDA	
DWG NO.		SHEET SIZE	SHEET NO.
36545AD		D	1 OF 1