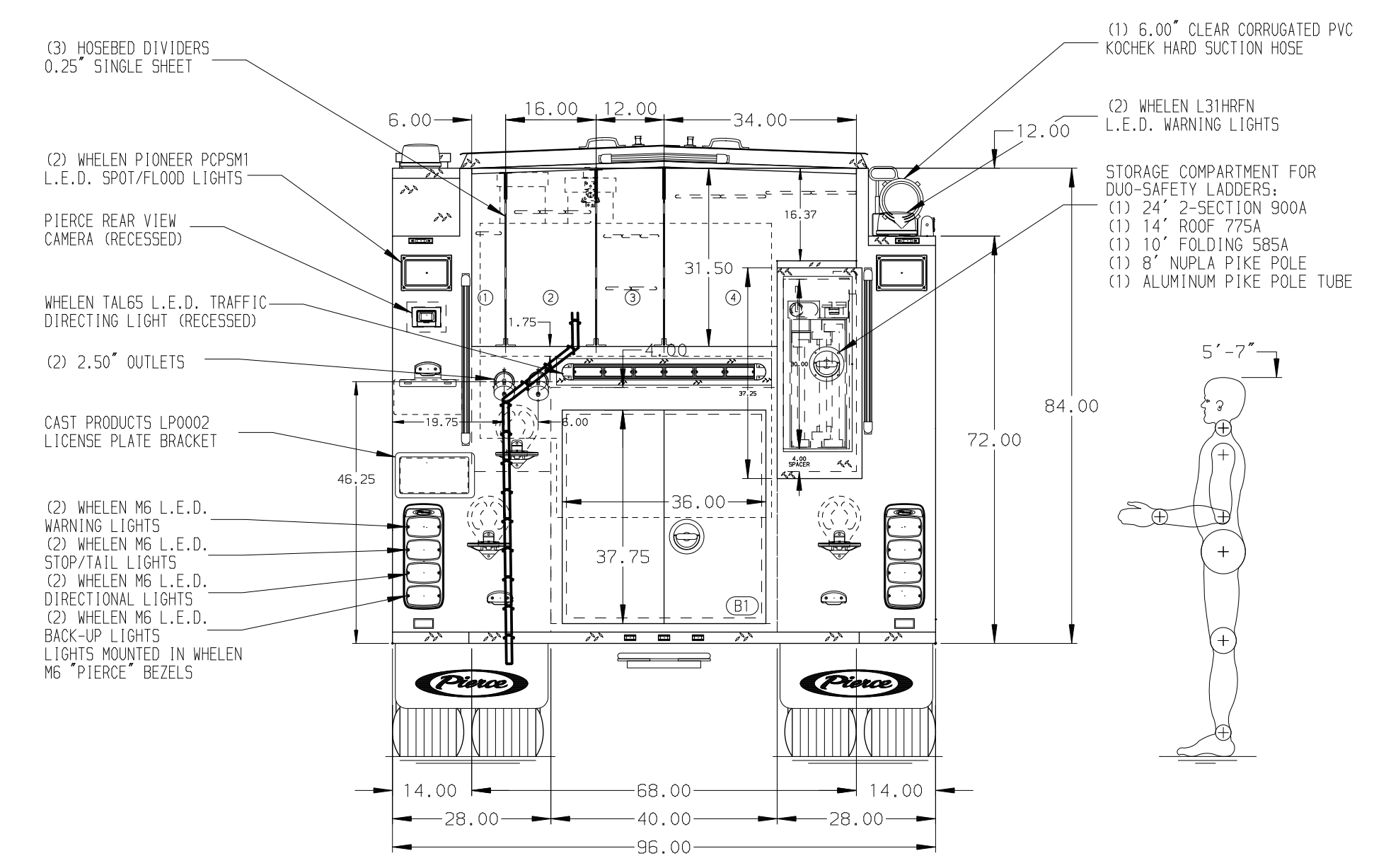
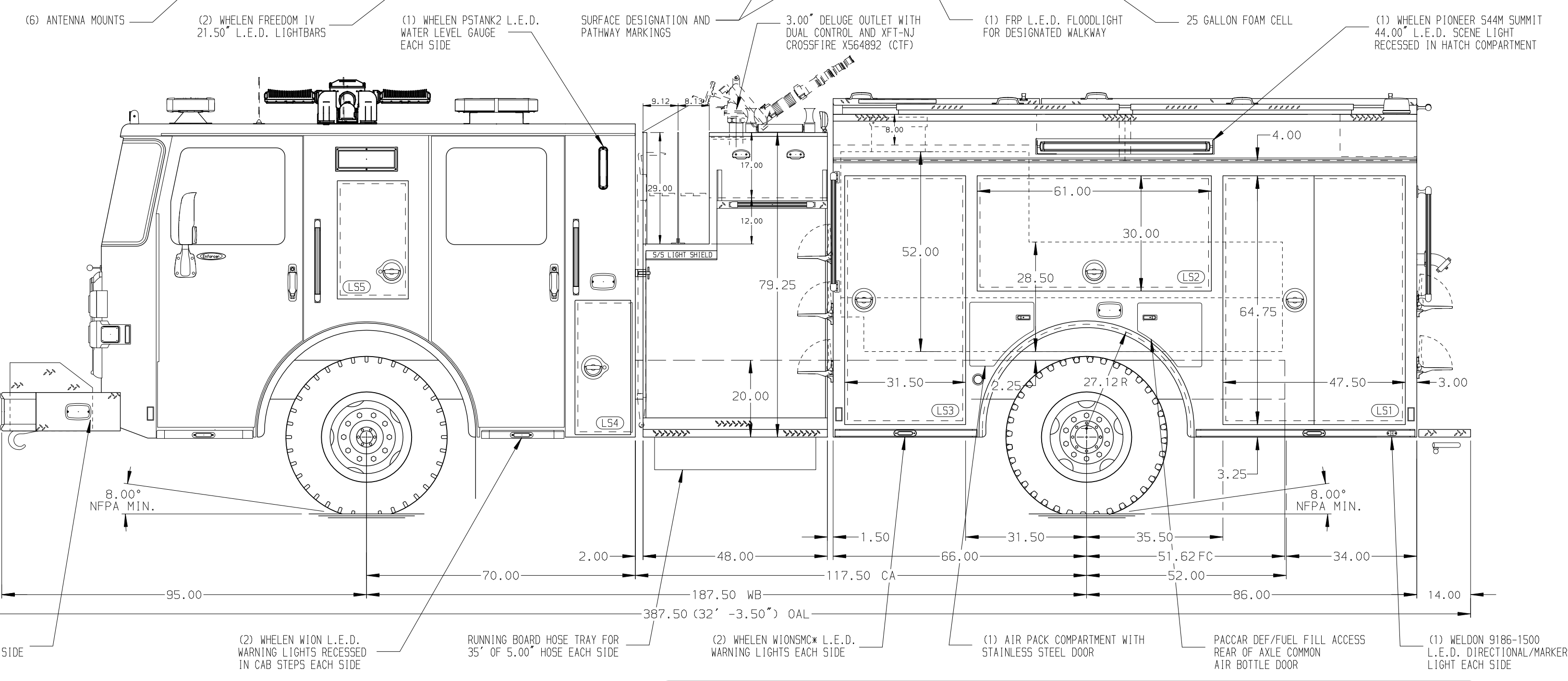


- HOSEBED CAPACITIES**
- ① - 200' OF 2.50" D.J. POLY HOSE (SINGLE STACK)
 - ② - 700' OF 2.50" D.J. POLY HOSE (TRIPLE STACK)
 - ③ - 300' OF 1.75" D.J. POLY HOSE ON TOP OF 200' OF 2.50" D.J. POLY HOSE
 - ④ - 800' OF 5.00" D.J. POLY HOSE



ALUMINUM BODY

SIDE ROLL AND FRONTAL IMPACT PROTECTION

NOTE
DIMENSIONS SHOWN ARE APPROXIMATE AND ARE SUBJECT TO MINOR DEVIATIONS AS MAY OCCUR OR BE NECESSARY IN CONSTRUCTION. MINOR DETAILS NOT SHOWN.

1. BATTERY CHARGER LOCATED BEHIND THE DRIVER'S SEAT
2. DUAL L.E.D. LIGHT STRIPS LOCATED ON THE FRONT OF THE HOSEBED
3. REVERSED HINGED DOOR ON COMPARTMENT L53
4. PARTITION BETWEEN COMPARTMENTS L51/B1 AND R51/B1
5. LITTLE GIANT REVOLUTION XE 12017-MODEL 17 LADDER IN COMPARTMENT R52
6. WORDEN SUPER GRIPPER WHEEL CHOCKS AND MOUNTING BRACKETS TBD AT FINAL

CHASSIS DATA	TITLE	1500-D-725P, 700G WATER W/ 25G FOAM, 152" FDLR BODY LADDERS BTWN TANK & SS, (2) CROSSLAYS, DELUGE
MAKE	FOR	COSUMNES COMMUNITY SERVICES DISTRICT ELK GROVE, CALIFORNIA
MODEL	DWG NO.	36558AD-SH1
ENFORCER	REV	

		JOB NO.	36558
		SCALE	1:24
		DATE	
		DRAWN BY	JJB
		CHECKED BY	BSE
		DATE	060CT21
		SHEET SIZE	D
		SHEET NO.	1 OF 2