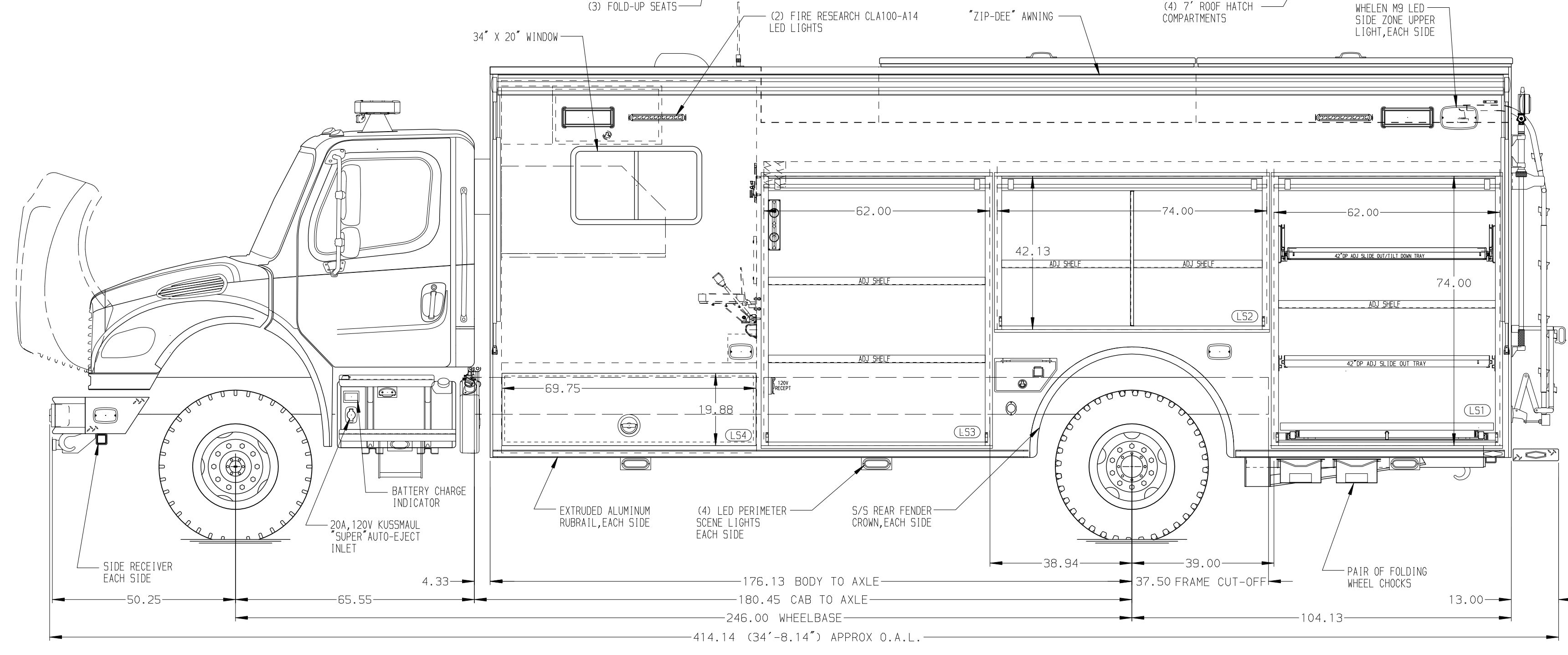
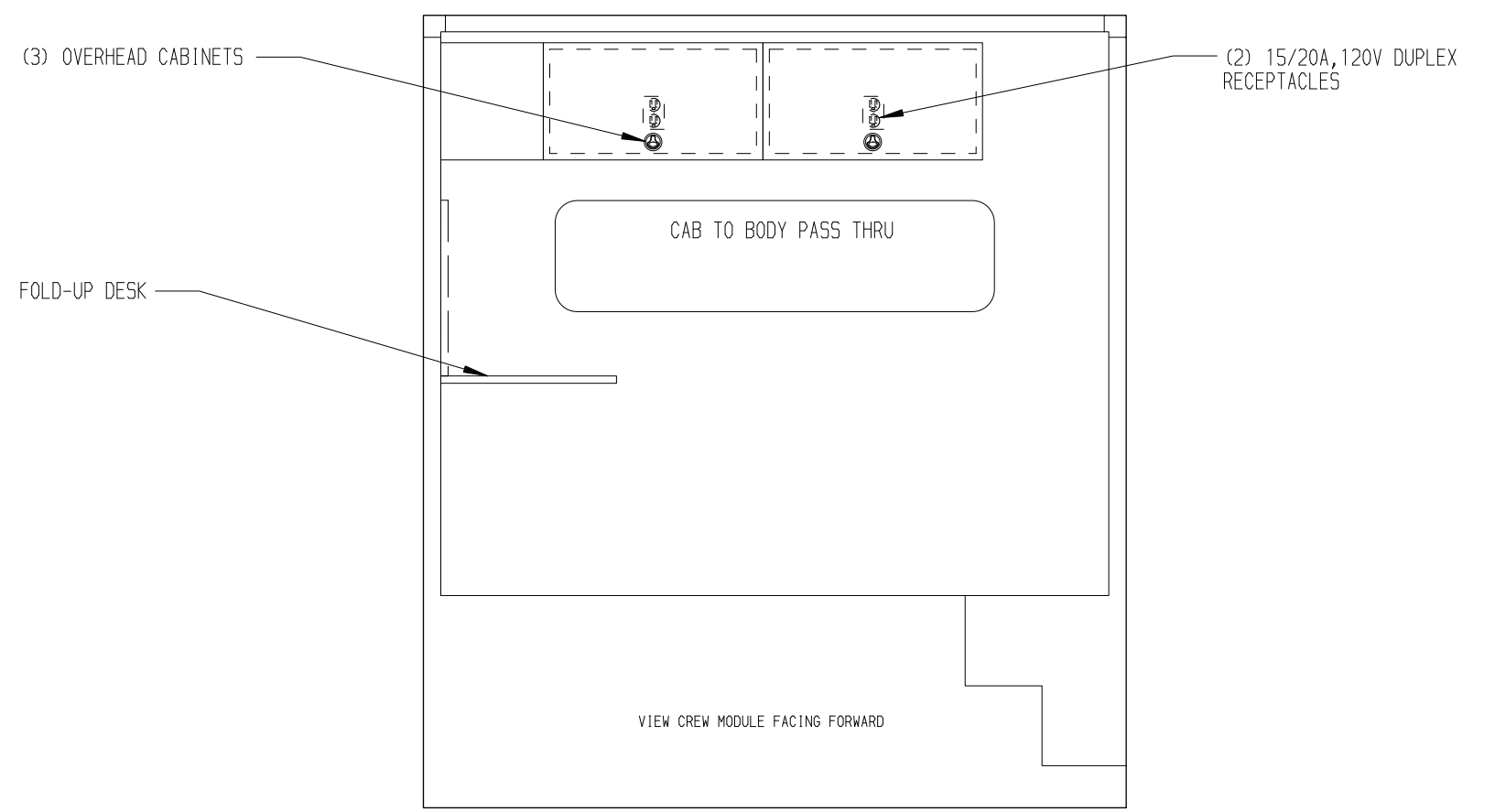
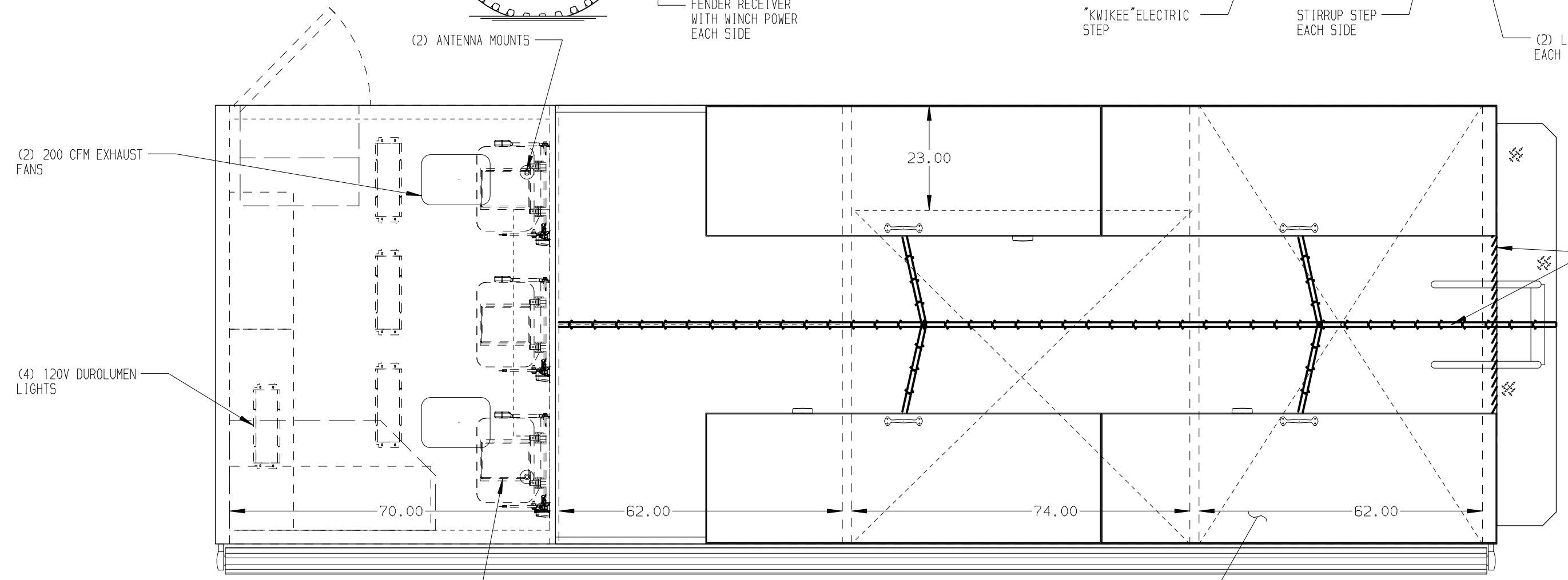
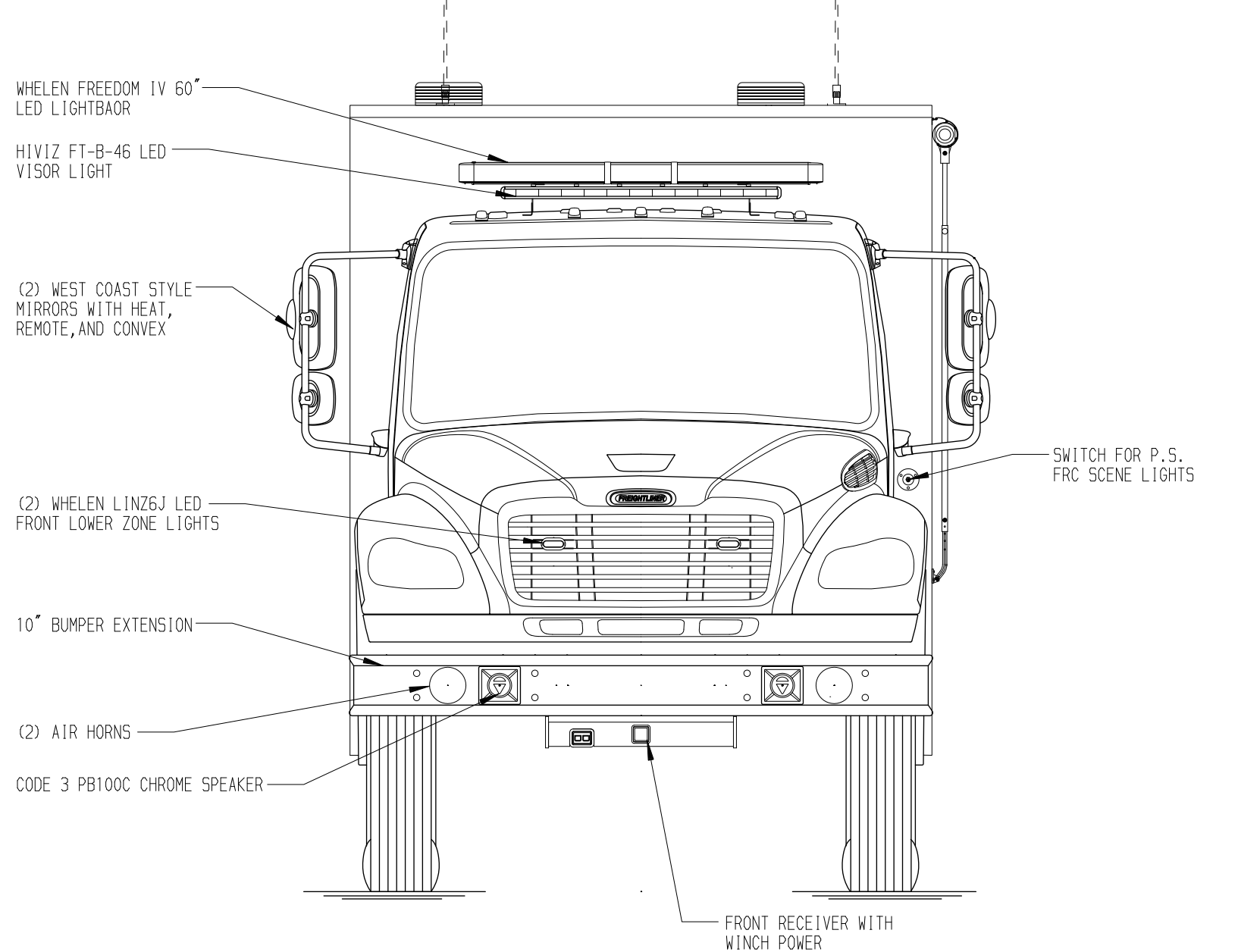
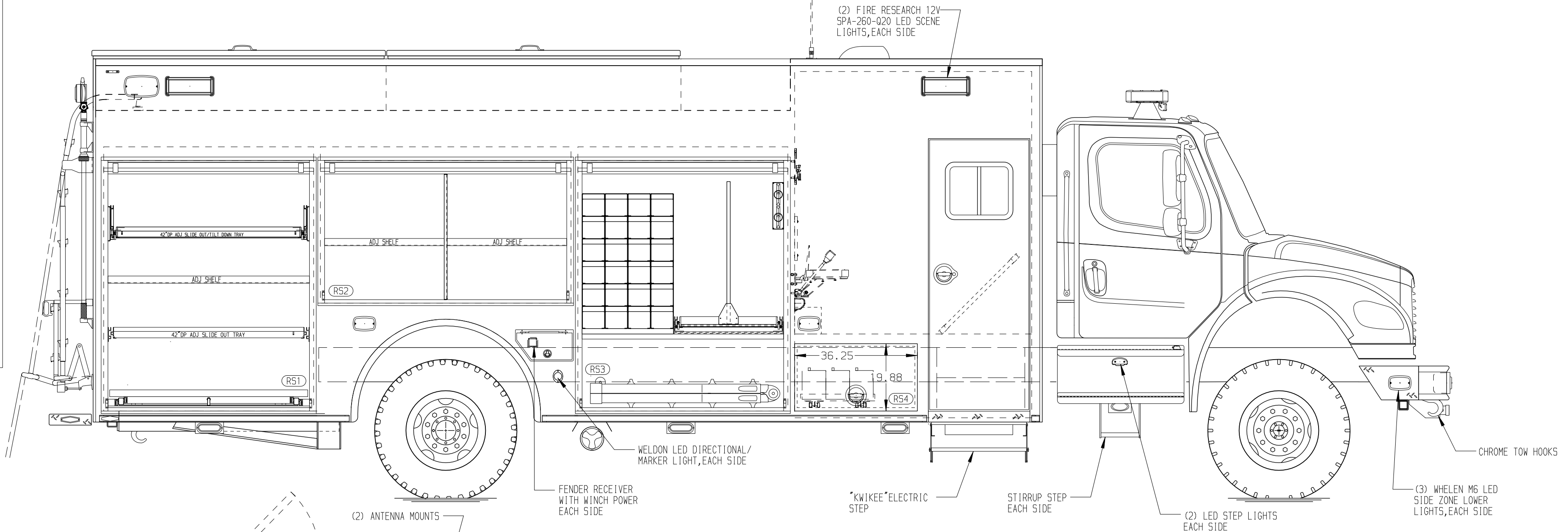
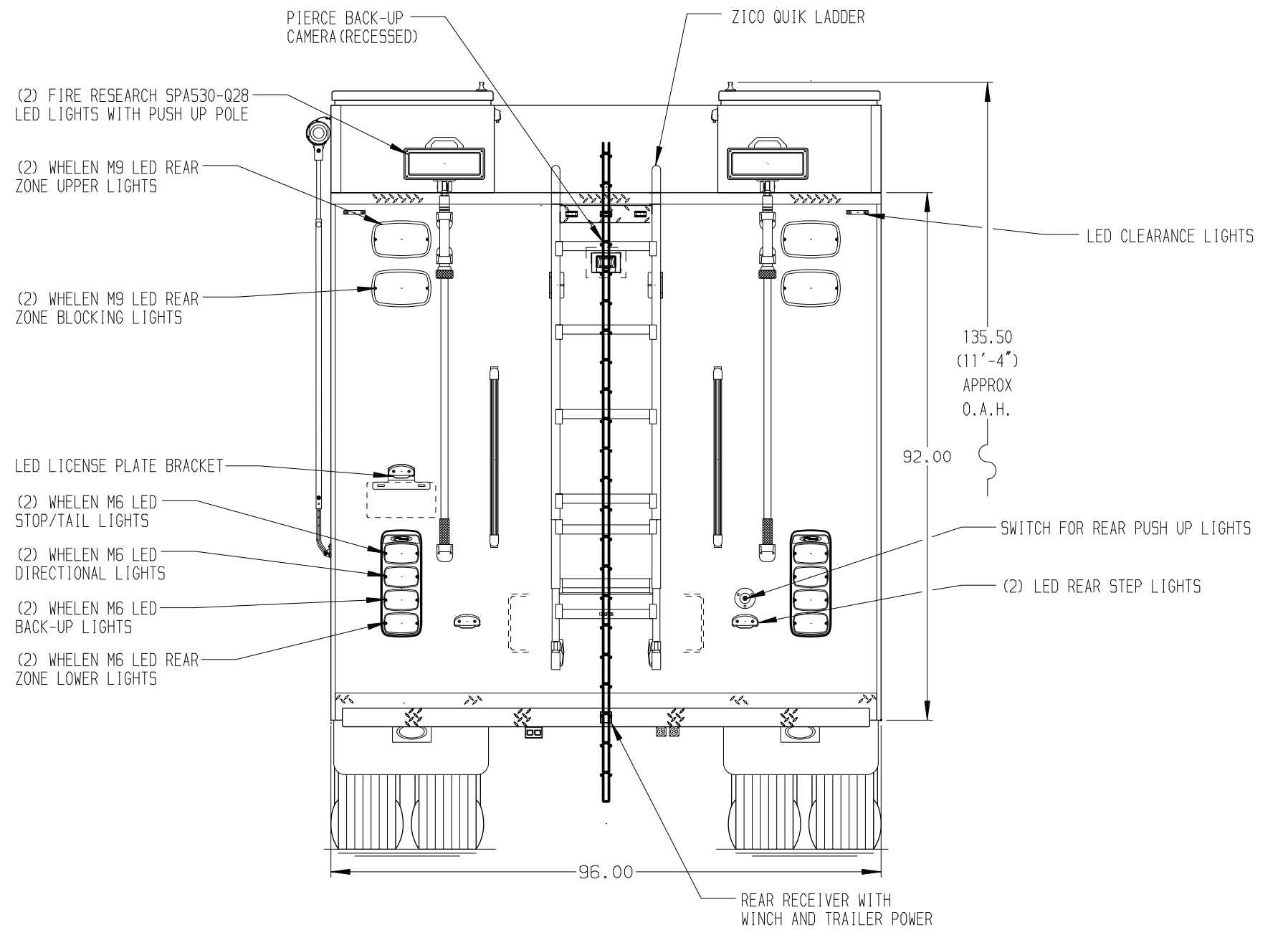


- RIGHT SIDE COMPARTMENTS CONTAIN THE FOLLOWING:**
- COMPARTMENT RS1 CONTAINS:
 - (1) 42" DP ADJ SHELF
 - (1) 2-WAY FLOOR MOUNTED SLIDEMASTER TRAY
 - (1) 42" DP ADJ SLIDE OUT/TILT TRAY
 - (1) 42" DP ADJ SLIDE OUT TRAY
 - COMPARTMENT RS2 CONTAINS:
 - (1) VERTICAL COMPARTMENT DIVIDER
 - (2) 21" DP ADJ SHELVES
 - COMPARTMENT RS3 CONTAINS:
 - (1) VERTICAL REAR WALL DIVIDER
 - (1) RACK FOR 24 SCBA BOTTLES
 - (1) 42" DP SLIDE OUT TOOLBOARD (NO HOLES)
 - (1) HORIZONTAL FLOOR EXTENSION
 - (1) LITTLE GIANT LADDER
 - (1) RACK FOR 2 PIKE POLES
 - COMPARTMENT RS4 CONTAINS:
 - (3) 12V CHASSIS BATTERIES
 - (1) FLOOR MOUNTED TRAY



- LEFT SIDE COMPARTMENTS CONTAIN THE FOLLOWING:**
- COMPARTMENT LS1 CONTAINS:
 - (1) 42" DP ADJ SHELF
 - (1) 2-WAY FLOOR MOUNTED SLIDEMASTER TRAY
 - (1) 42" DP ADJ SLIDE OUT/TILT TRAY
 - (1) 42" DP ADJ SLIDE OUT TRAY
 - COMPARTMENT LS2 CONTAINS:
 - (1) VERTICAL COMPARTMENT DIVIDER
 - (2) 62" DP ADJ SHELVES
 - COMPARTMENT LS3 CONTAINS:
 - (1) KUSSMAUL PUMP PLUS 1200 CHARGER
 - (2) 42" DP ADJ SHELVES
 - (1) VERTICAL REAR WALL DIVIDER
 - (1) 15/20A, 120V DUPLEX RECEPTACLE
 - (1) RACK FOR 2 PIKE POLES
 - COMPARTMENT LS4 CONTAINS:
 -
 -
 -



NOTE
DIMENSIONS SHOWN ARE APPROXIMATE AND ARE SUBJECT TO MINOR DEVIATIONS AS MAY OCCUR OR BE NECESSARY IN CONSTRUCTION. MINOR DETAILS NOT SHOWN.

- NOTES:**
1. WARN #9,000 PORTABLE RECEIVER STYLE WINCH
 2. FIRECOM 5200D DUAL RADIO INTERCOM SYSTEM
 3. PULL STRAPS ON ALL BODY ROLL-UP DOORS
 4. LED LIGHTS IN ALL BODY AND HATCH COMPARTMENTS

CLEAR DOOR WIDTH KEY		CHASSIS DATA	
AMDR ROLL UP DOORS:	-2 1/4"	MAKE	
CORTITE ROLL UP DOORS:	-2 1/2"	MODEL	
PIERCE DOUBLE LAP DOORS:	-4 1/4"	REV	
PIERCE LIFT-UP LAP DOORS:	-1 1/2"	DATE	
(EX: 60" F-F - 2 1/4" = 57 3/4" CLEAR) (F-F) = FRAME TO FRAME		BY	
		CH	

		JOB NO.	36574
		SCALE	DATE
TITLE	ENCORE RESCUE VEHICLE	DRAWN BY	DHE
FOR	CRW. 62.74.42	CHECKED BY	CDK
	CITY OF VALDEZ	SHEET SIZE	SHEET NO.
	BID #887	D	1 OF 1
DWG NO.	36574AD		