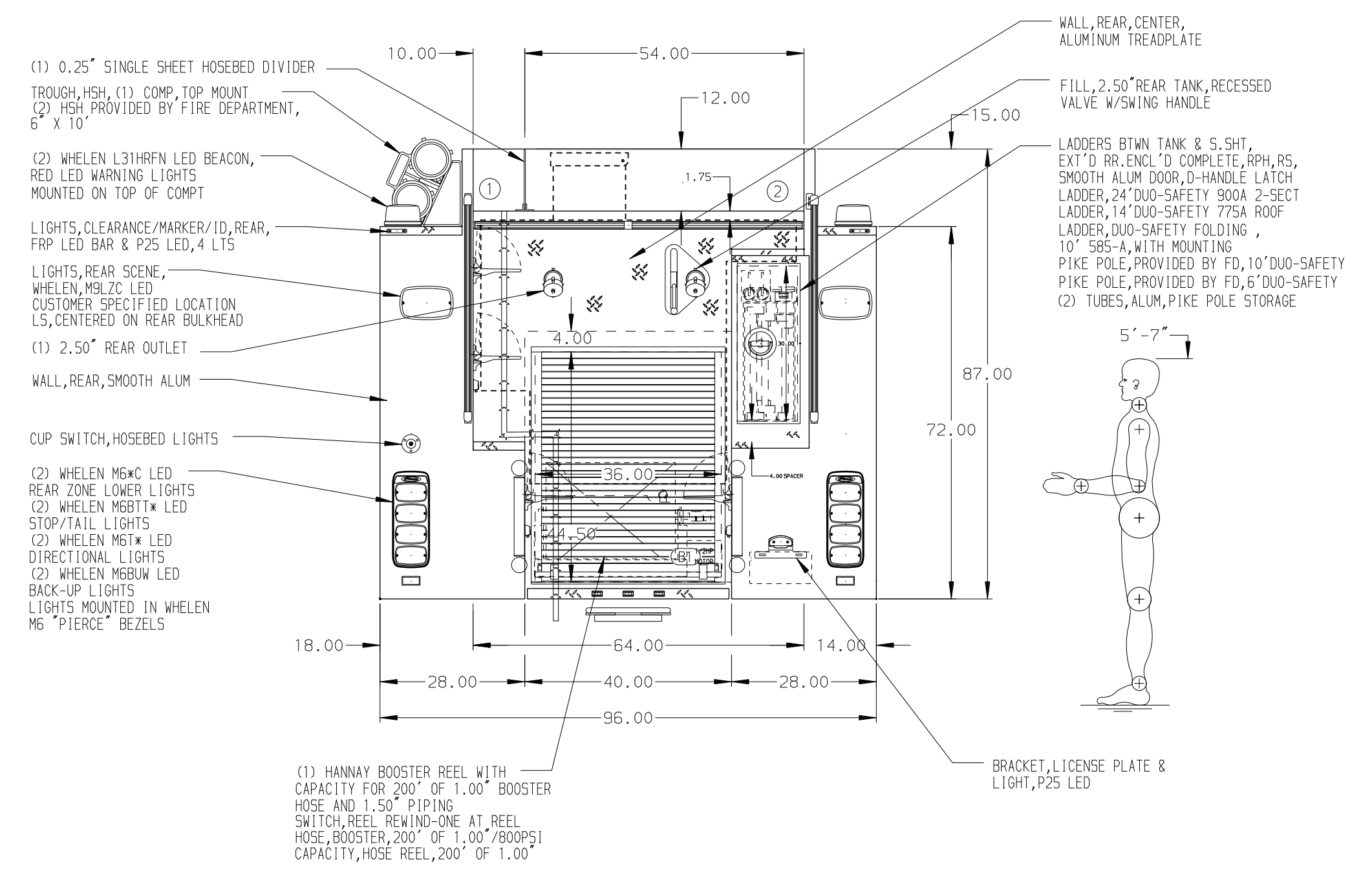
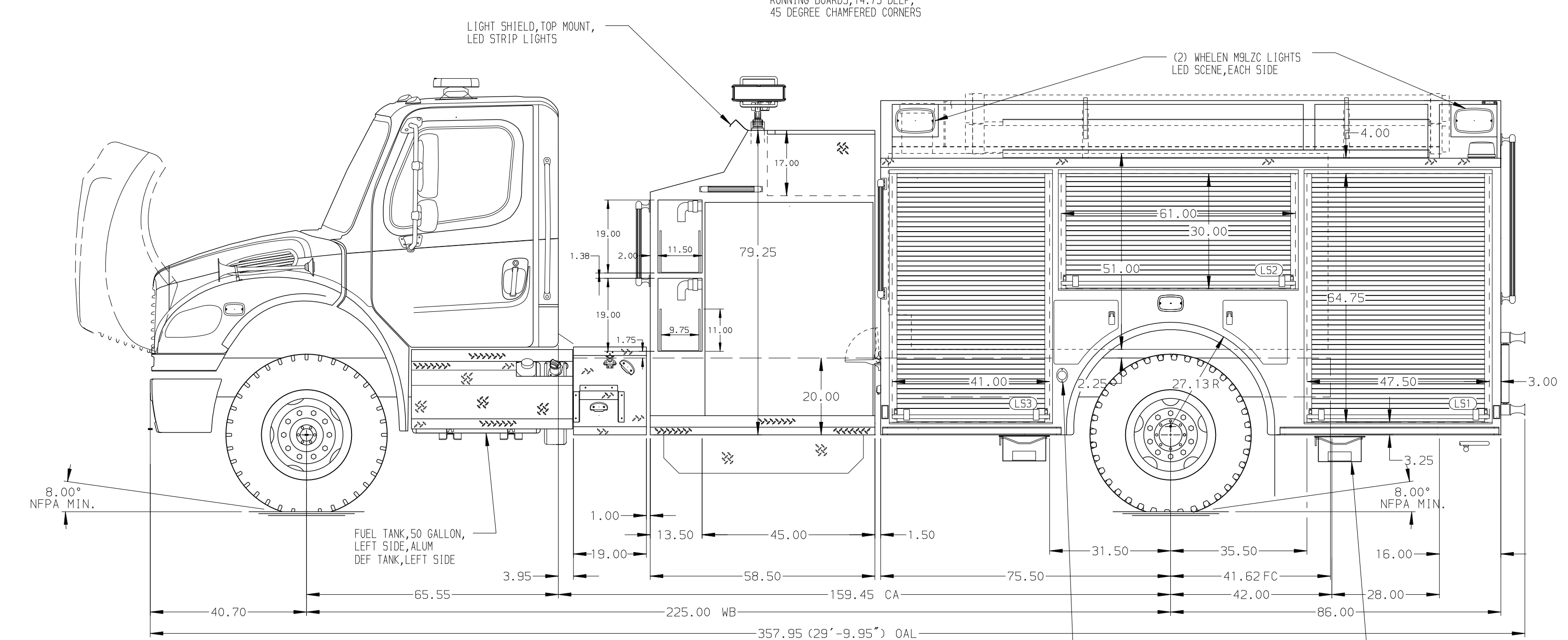


HOSEBED CAPACITIES

① 200' OF 2.50" D.J. POLY HOSE

② 1200' OF 3.00" D.J. POLY HOSE



ALUMINUM BODY

NOTE  
DIMENSIONS SHOWN ARE APPROXIMATE AND ARE SUBJECT TO MINOR DEVIATIONS AS MAY OCCUR OR BE NECESSARY IN CONSTRUCTION. MINOR DETAILS NOT SHOWN.

REV	DATE	BY	CH	CHASSIS DATA	TITLE
16DEC21		RHU	DDR	MAKE	1250-D-1000P, 161" BDY, FULL HEIGHT FRONT & REAR FOLDER
16DEC21		JLA	DDR	FL	45" TOP MNT W/19" WALKWAY, (2) 1.5" SPD LAYS W/POLY TRAYS
10NOV21		RHU	DDR	MODEL	FOR JOHNSTON FIRE DEPARTMENT
				M2-106	JOHNSTON, SOUTH CAROLINA

**Pierce** MANUFACTURING INC.  
BRADENTON, FLORIDA

JOB NO. 36618  
SCALE 1:24 DATE  
DRAWN BY JLA 23AUG21  
CHECKED BY RWI 26AUG21  
SHEET SIZE D SHEET NO. 1 OF 1

DWG NO. 36618AD