

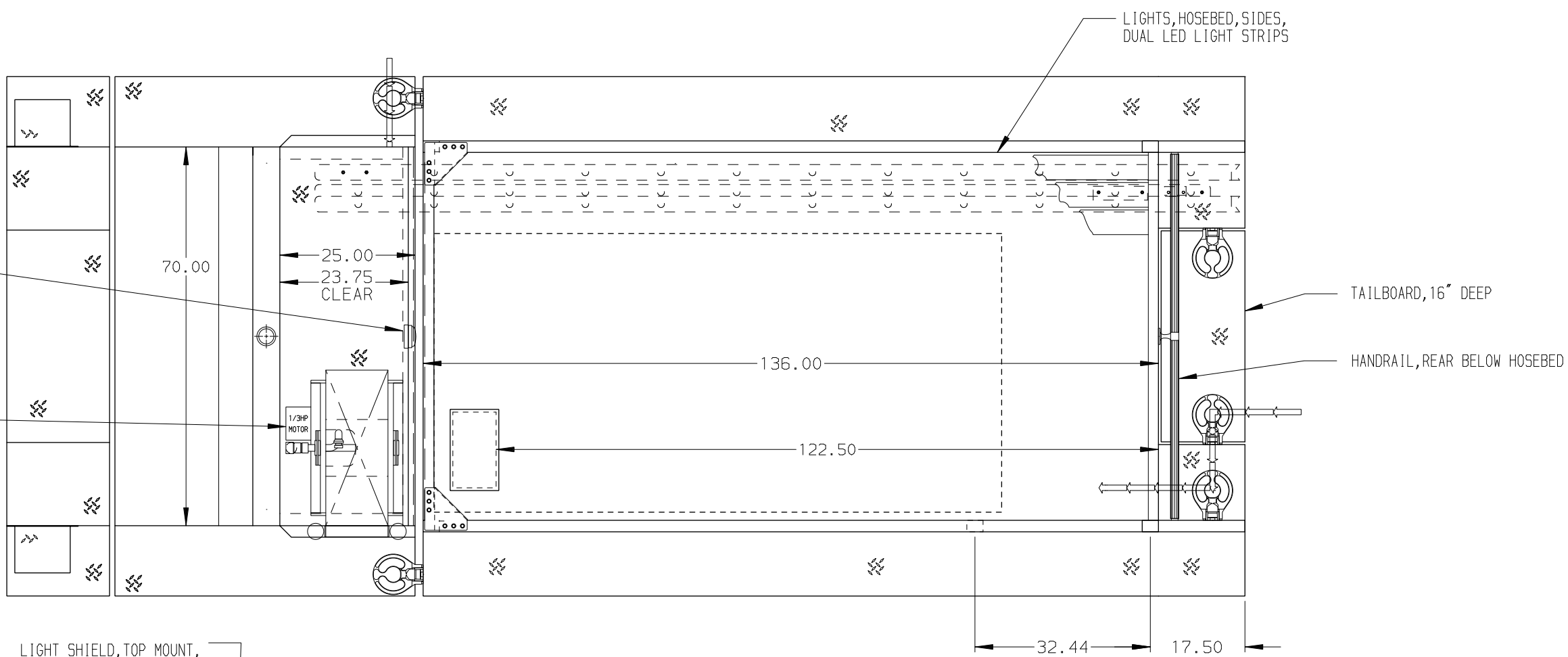
TOW BAR, UNDER TAILBOARD

RUBRAIL, ALUM EXTRUDED AT SIDE & TREADPLATE AT REAR OF BODY

(1) COMPT, EXTINGUISHER IN FENDER PANEL, 8.50" SQUARE, POLISH DOOR FLUSH LIFT & TURN LATCH, EACH SIDE

FENDER CROWNS, REAR, W/REMOVABLE LINER

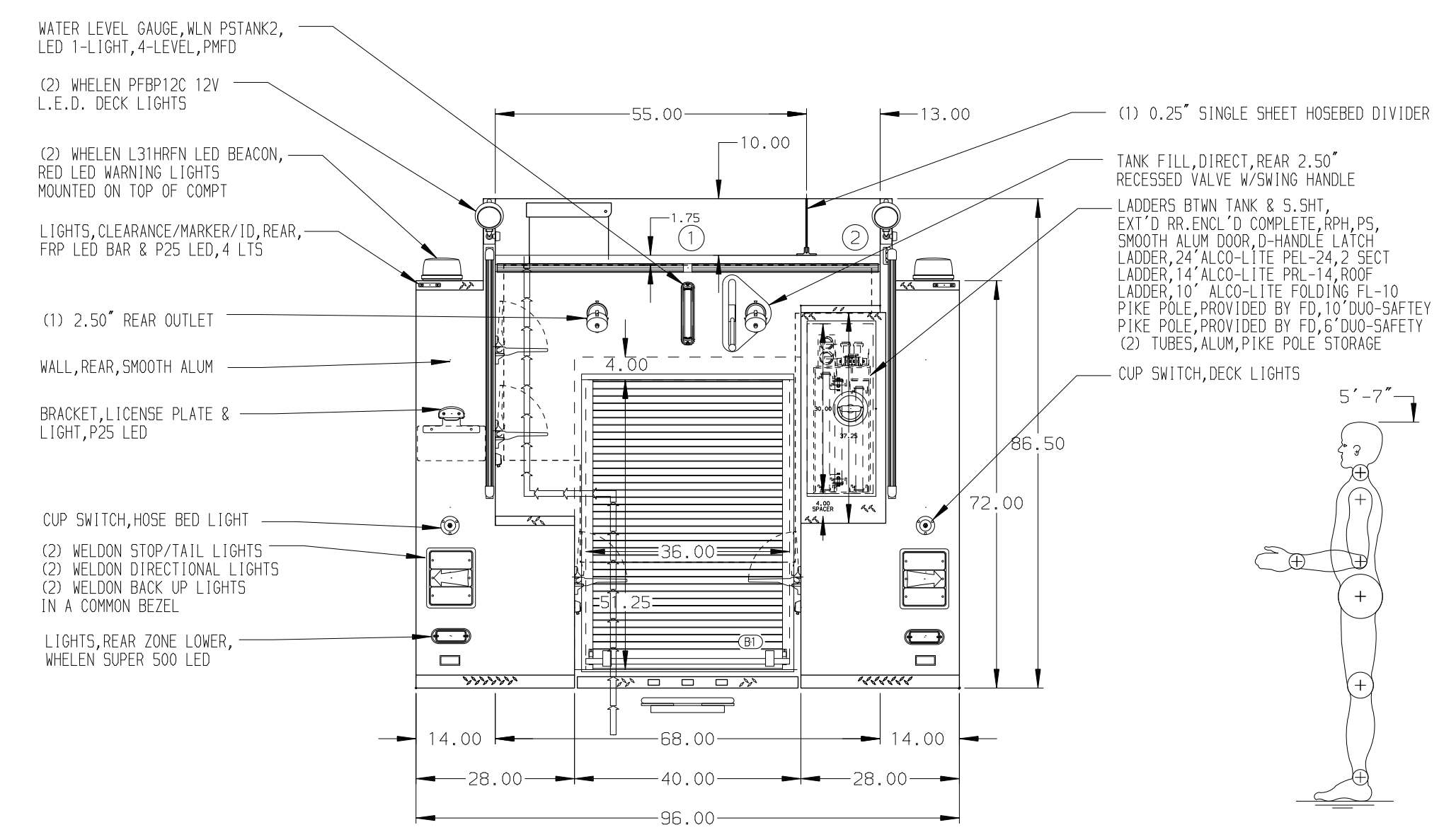
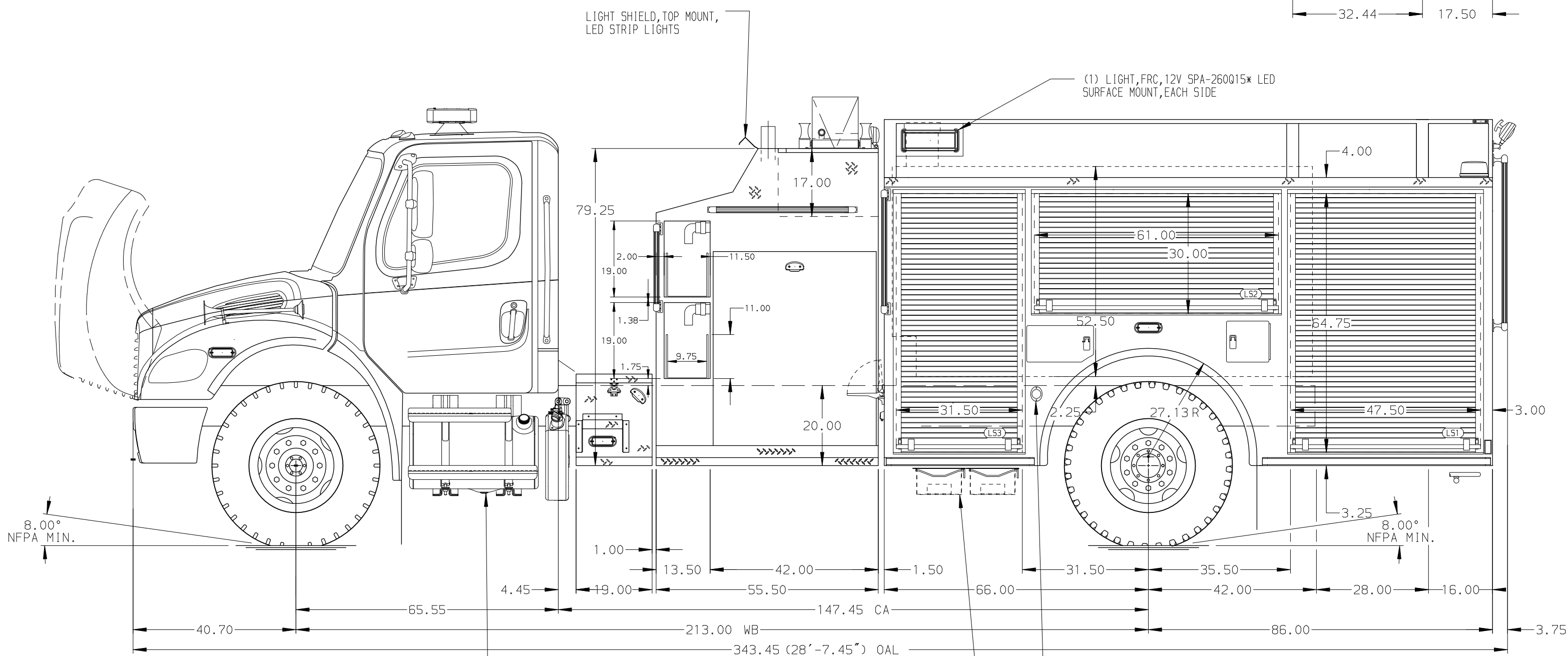
PIERCE LOGO MUD FLAPS, FRONT AND REAR



HOSEBED CAPACITIES

① 1500' OF 2.50" D.J. POLYESTER HOSE

② 400' OF 1.50" D.J. POLYESTER HOSE



ALUMINUM BODY

NOTE
DIMENSIONS SHOWN ARE APPROXIMATE AND ARE SUBJECT TO MINOR DEVIATIONS AS MAY OCCUR OR BE NECESSARY IN CONSTRUCTION. MINOR DETAILS NOT SHOWN.

						JOB NO.	36633
						SCALE	DATE
						1:24	
						DRAWN BY	09AUG21
						JLA	
						CHECKED BY	11AUG21
						RWI	
						SHEET SIZE	SHEET NO.
						D	1 OF 1
REV	DATE	BY	CH	CHASSIS DATA	TITLE	1250-D-1000 POLY, 152" BODY, L5&R5 FULL HEIGHT 42" TOP MOUNT W/19" WALKWAY, (2) 1.5" SPEEDLAYS	
19NOV21	JLA	DDR		MAKE	FOR	SCOTT COUNTY FOREST, MISSISSIPPI	
29OCT21	JLA	DDR		FL	DWG NO.	36633AD	
20AUG21	JLA	RWI		MODEL			
				M2-106			