

**PUMPER BODY**

Medium Aluminum 2nd Gen Pumper

**CHASSIS**

Sober FR Chassis

**CHASSIS AXLE, FRONT, CUSTOM**

18,000 Lb Dana Axle

**AXLE, REAR**

24,000 Lb Dana Axle

**ENGINE**

450 HP Cummins L9 Engine

**TRANSMISSION**

Allison 5th Gen, 3000 EVS P

**BUMPER**

22" Extended Painted Steel

**CAB**

6010 Sober FR Cab

**BODY**

**WATER TANK**

500 Gallon Poly Water Tank

**COMPT, PUMPER, REAR**

30.75" FF RollUp Rear Compt

**COMPT, PUMPER, LEFT SIDE**

152" RollUp Full Height Front & Rear FDLR

**COMPT, PUMPER, RIGHT SIDE**

152" RollUp Full Height Front & Rear FDLR

**FIRE SUPPRESSION PUMPHOUSE**

45" Control Zone Side Mount

**PUMP**

1500 GPM Waterous CSU

**CROSSLAYS, 1.50"**

(2) 1.50" Standard Capacity

**CROSSLAYS, 2.50"**

2.50" Crosslay Not Required

**SPEEDLAYS**

Speedlays Not Required

**GENERATOR**

Generator Not Required

**Foam System**

Foam System Not Required

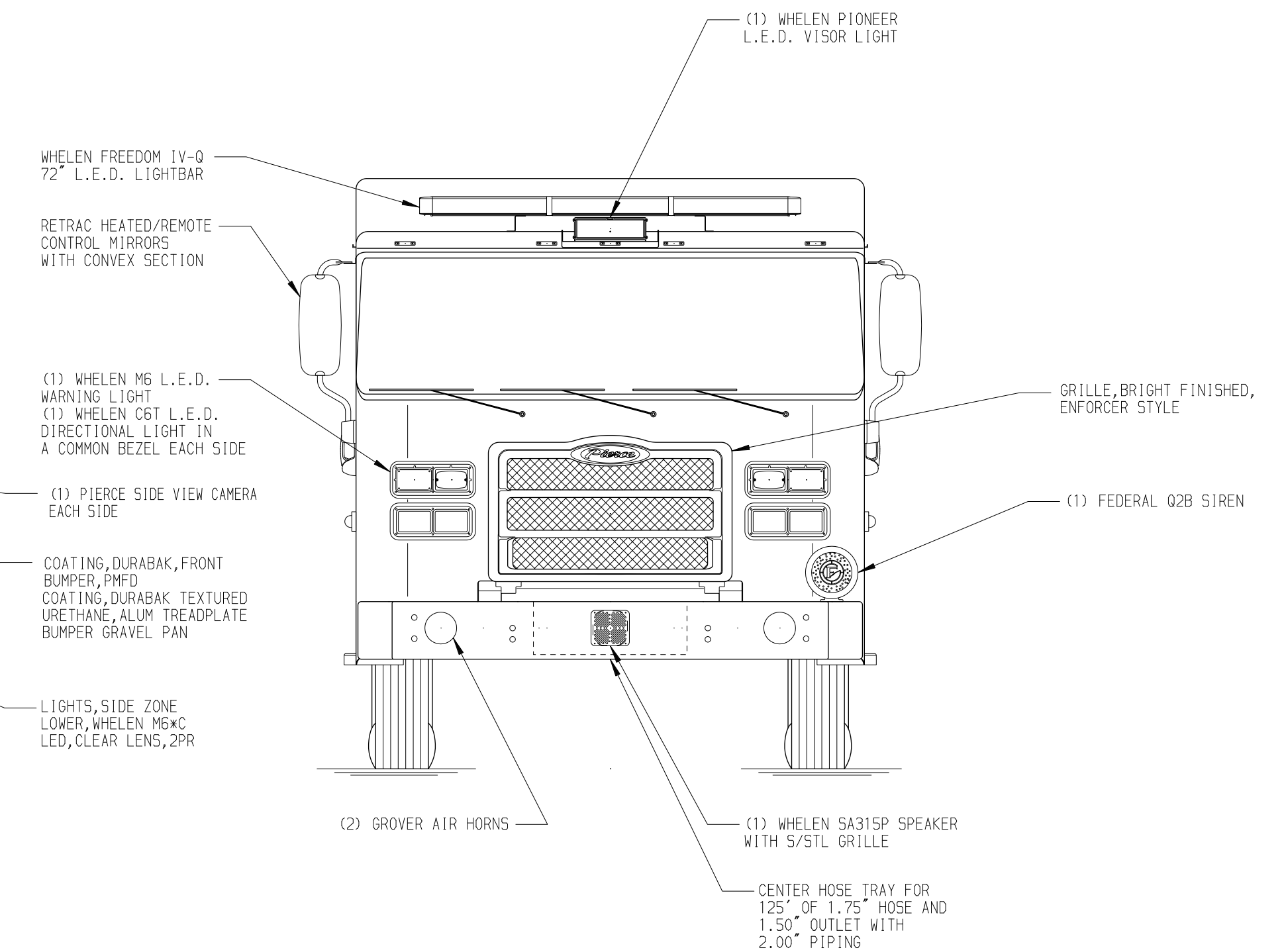
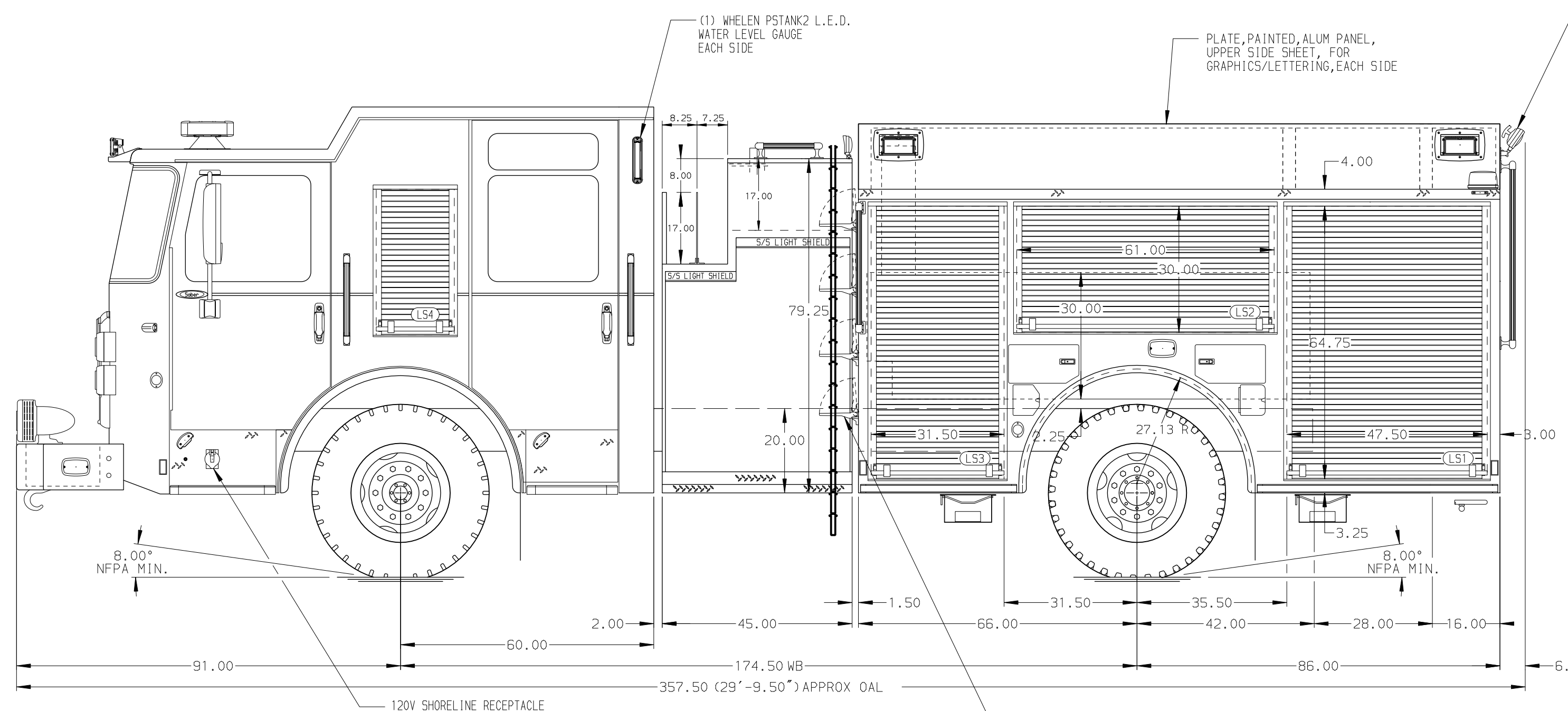
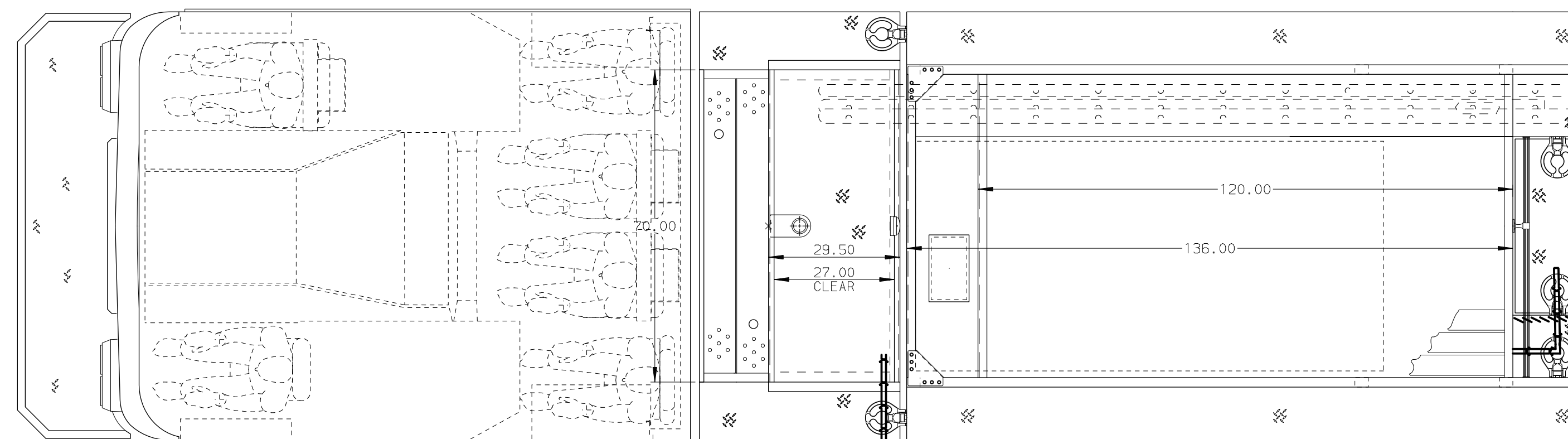
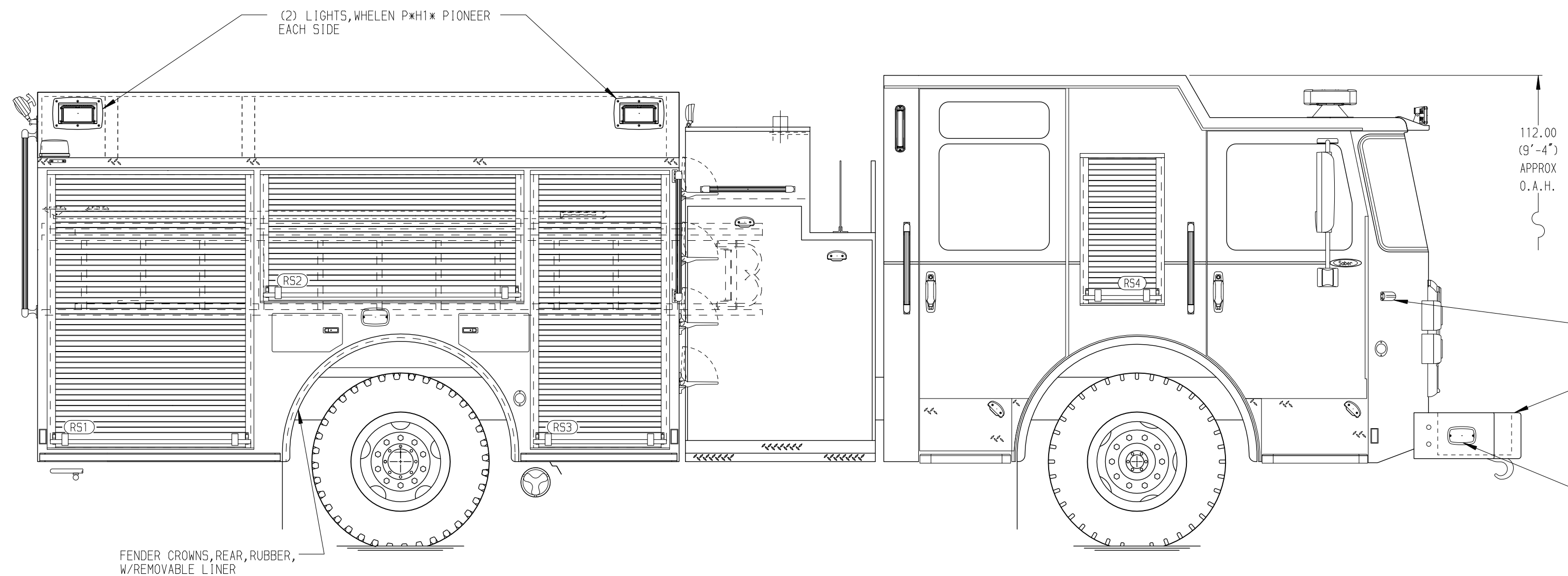
**Foam Cell**

Foam Cell Not Required

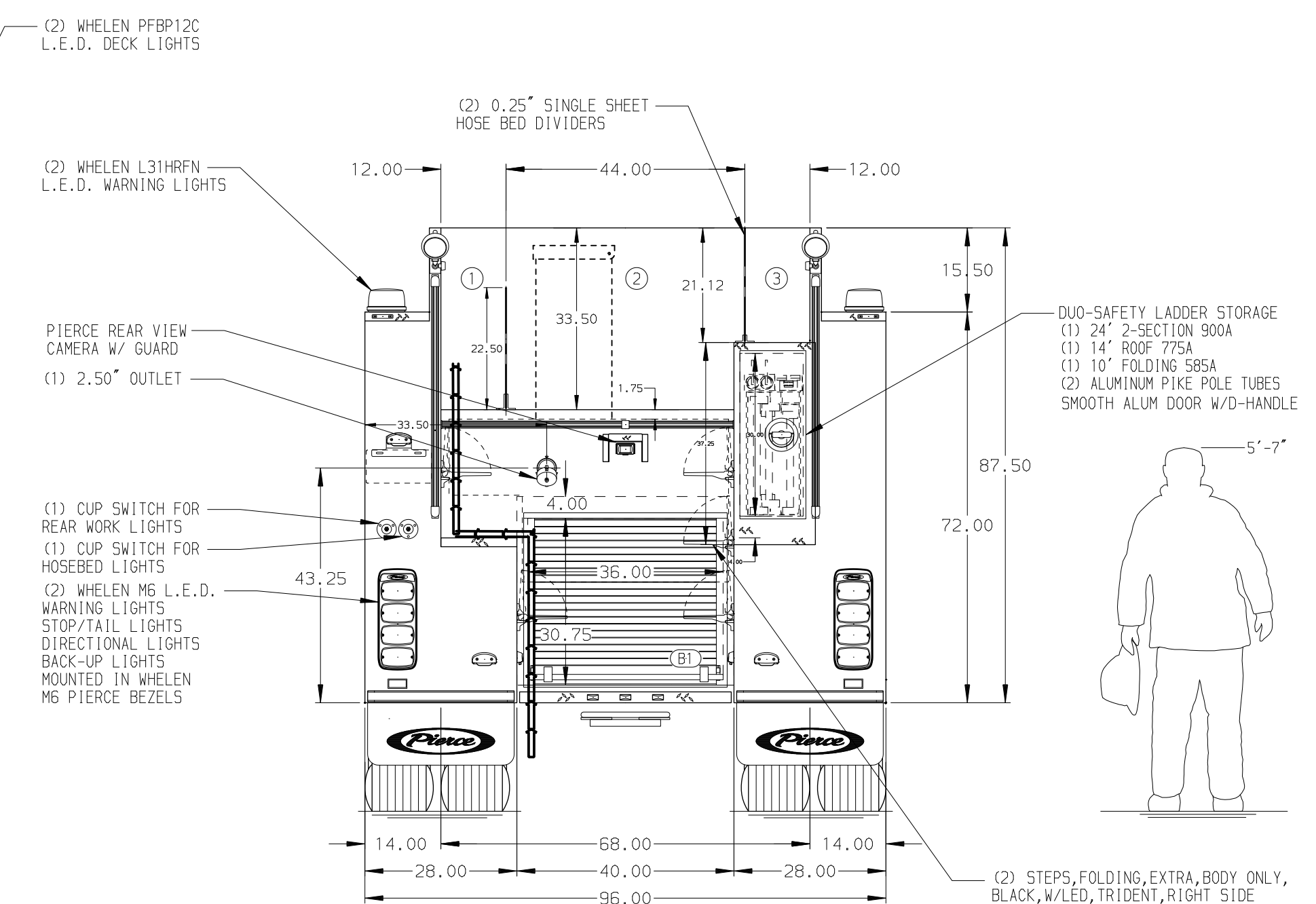
Side Roll and Frontal Impact Protection

**NOTE**

DIMENSIONS SHOWN ARE APPROXIMATE AND ARE SUBJECT TO MINOR DEVIATIONS AS MAY OCCUR OR BE NECESSARY IN CONSTRUCTION. MINOR DETAILS NOT SHOWN.



HOSEBED CAPACITY	
<b>BED 1</b>	500' OF 3.00" D.J. POLY HOSE
<b>BED 2</b>	1000' OF 5.00" D.J. POLY HOSE
<b>BED 3</b>	500' OF 3.00" D.J. POLY HOSE



<b>Pierce MANUFACTURING INC.</b>		JOB NO.	36648
		SCALE	1:24 DATE
		DRAWN BY	MMF 08APR21
		CHECKED BY	COL 12APR21
		SHEET SIZE	SHEET NO.
		D	1 OF 1

				CHASSIS DATA	TITLE	Pierce Pumper Approval Drawing
				MAKE	FOR	Clinton Fire Department
24SEP21	JLA	NAS		PIERCE	DWG NO.	36648AD
28JUL21	JAF	NAS		MODEL		
REV	DATE	BY	CH	SABER FR		