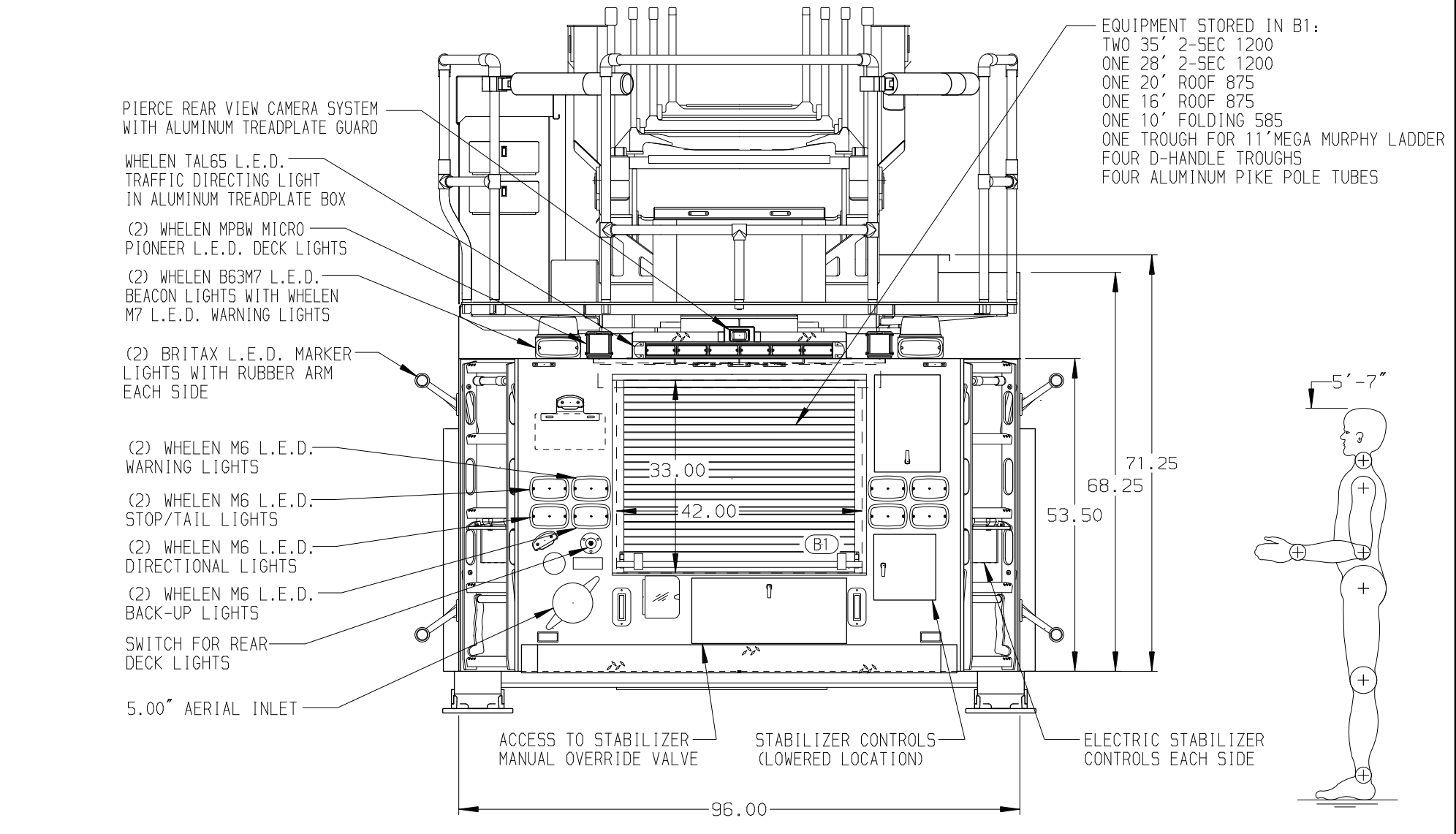


ALUMINUM BODY MAXIMUM O.A.H. 140.00" SIDE ROLL AND FRONTAL IMPACT PROTECTION

NOTE
DIMENSIONS SHOWN ARE APPROXIMATE AND ARE SUBJECT TO MINOR DEVIATIONS AS MAY OCCUR OR BE NECESSARY IN CONSTRUCTION. MINOR DETAILS NOT SHOWN.

1. FRONT SUSPENSION WITH 3" JOUNCE
2. BATTERY CHARGER LOCATED BEHIND THE DRIVER'S SEAT
3. BATTERY CHARGER INDICATOR LOCATED ON DRIVER'S SEAT RISER
4. SHORELINE RECEPTACLE WITH KUSSMAIL SUPER AUTO-EJECT LOCATED ON DRIVER'S SEAT RISER
5. L.E.D. LIGHT STRIPS LOCATED IN THE HOSE BED PER SHOP ORDER
6. FOUR ADJUSTABLE FULL WIDTH/FULL DEPTH SHELVES IN COMPARTMENT PER ORDER
7. ONE ADJUSTABLE SLIDE-OUT TRAY IN COMPARTMENT PER ORDER
8. ONE FLOOR MOUNTED SLIDE-OUT TRAY WITH SLIDEMASTER SLIDES IN COMPARTMENT PER ORDER
9. TWO SWING-OUT TOOL BOARDS WITH PEGBOARD PATTERN IN COMPARTMENT PER ORDER
10. ONE 120V DUPLEX RECEPTACLE LOCATED IN COMPARTMENT PER ORDER
11. TRIDENT FOLDING STEPS ON AERIAL DEVICE
12. 21.00" AERIAL LIGHTING RETRACTION
13. STABILIZERS MODIFIED FOR 18" GROUND PENETRATION
14. L.E.D. LIGHTING ON AERIAL LADDER SECTIONS
15. FIRE RESEARCH 3-WAY INTERCOM SYSTEM BETWEEN AERIAL TIP, PUMP PANEL AND TURNTABLE
16. LIFTING EYE ROPE RESCUE ATTACHMENT AT AERIAL TIP
17. 1500 GPM HIGH FLOW WATERWAY
18. AERIAL PEDESTAL LOWERED 1.00"
19. 5.00" STORZ ELBOW FOR AERIAL INLET SHIPPED LOOSE
20. PULL STRAP ON DOOR FOR TWO COMPARTMENTS PER ORDER
21. ONE ADJUSTABLE SHELF WITH SPECIAL SIZE IN COMPARTMENT PER ORDER
22. TWO FULL WIDTH/DEPTH FLOOR MOUNTED SLIDE-OUT TRAYS WITH SIDE SLIDES IN COMPARTMENTS PER ORDER
23. ONE CTECH 3-DRAWER ASSEMBLY IN COMPARTMENT PER ORDER
24. TWO ADJUSTABLE TOOL BOARDS MOUNTED TO SLIDE-OUT TRAY IN COMPARTMENT PER ORDER
25. ONE VERTICAL PARTITION WITH SPECIAL DEPTH LOCATED IN COMPARTMENT PER ORDER
26. ALUMINUM PEGBOARD ON BACK WALL OF THREE COMPARTMENTS PER ORDER
27. ONE NYLON STRAP WITH VELCRO SHIPPED LOOSE
28. ONE 120V DUPLEX RECEPTACLE LOCATED IN CAB PER ORDER
29. AIR OUTLET WITH SHUT-OFF VALVE LOCATED ON DRIVER'S SIDE PUMP PANEL
30. TRIDENT FOLDING STEPS ON AERIAL DEVICE



		JOB NO.	36653
		SCALE	DATE
Pierce MANUFACTURING INC. FOR PORTLAND FIRE DEPARTMENT PORTLAND, ME	TITLE	107' ASCENDANT HSL AERIAL LADDER AND BODY ASSEMBLY	
	MAKE	400 GALLON WATER TANK	
	MODEL	DRAWN BY JGA 060CT21	
REV	DATE	CHECKED BY NDA 080CT21	SHEET NO.
10JAN22	SHU CW1		1 OF 1
DWG NO.		36653AD	