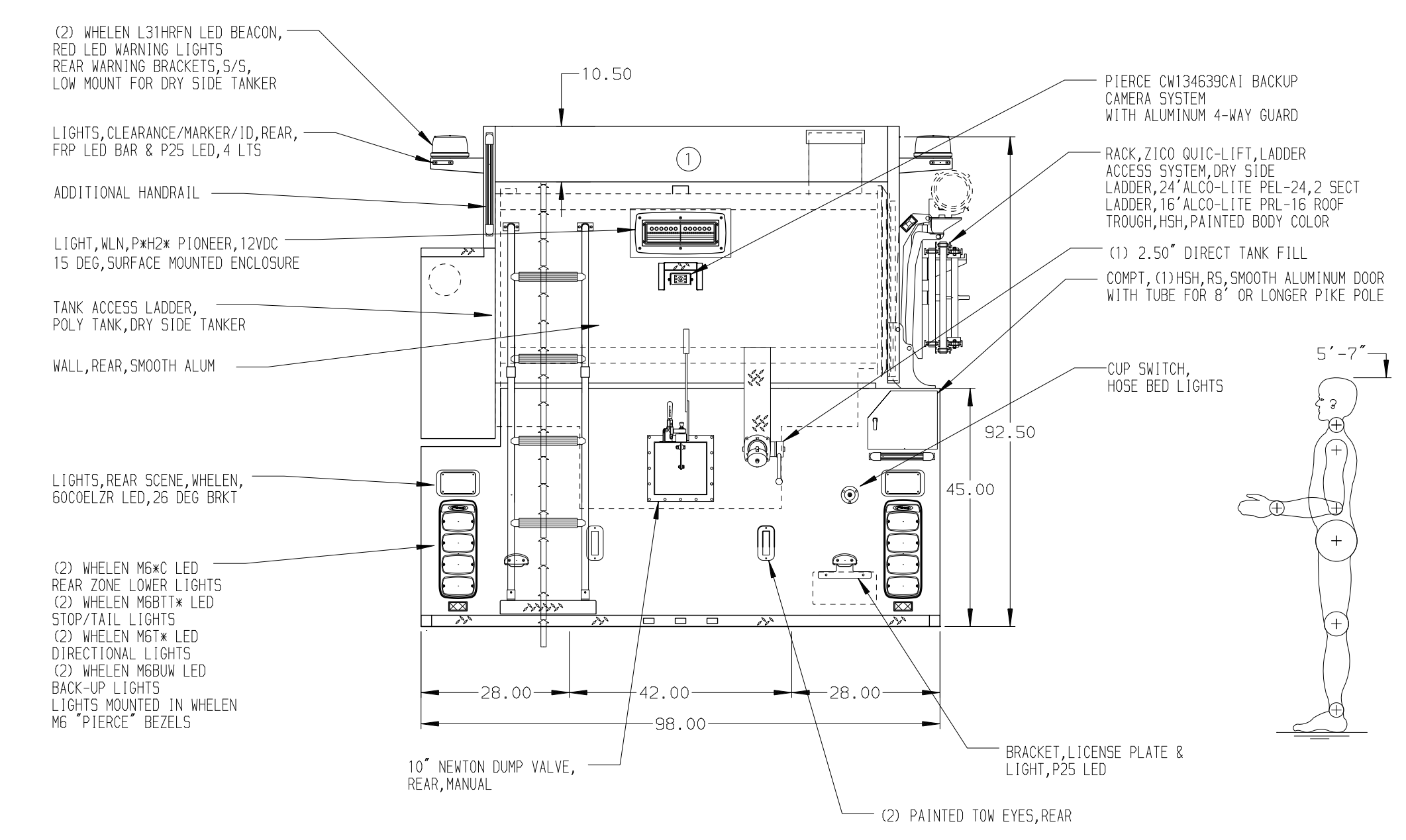
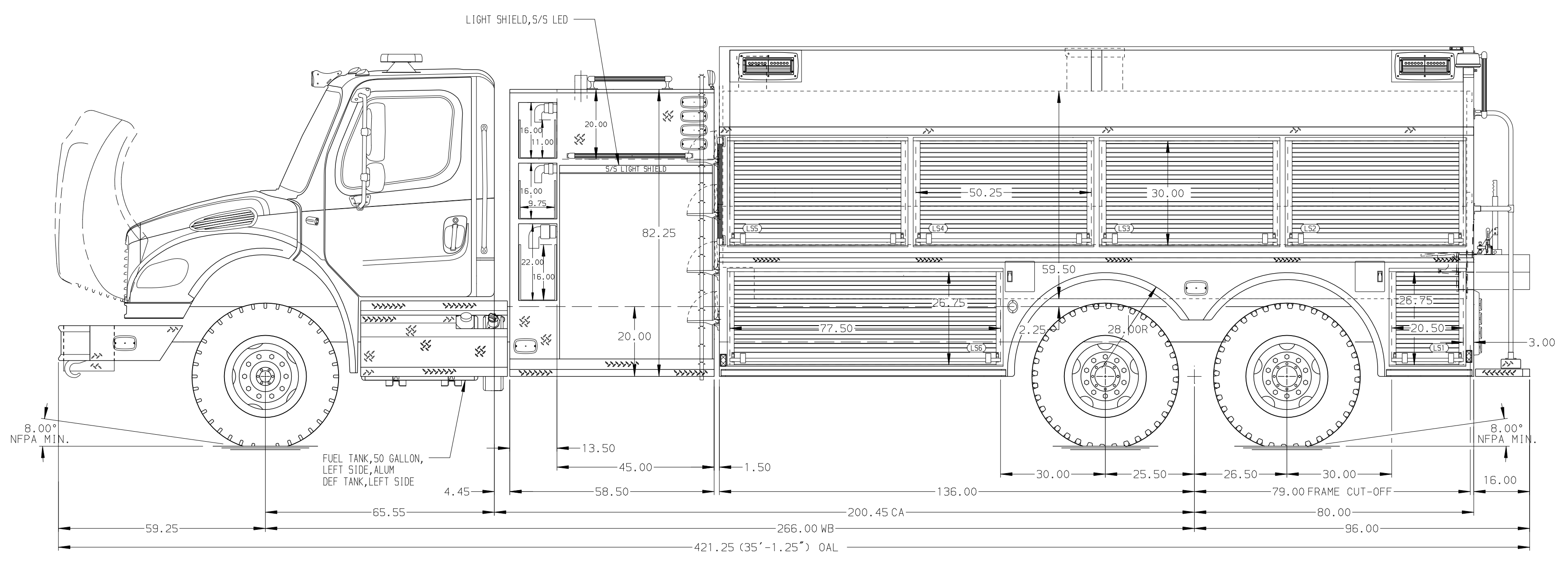


HOSEBED CAPACITIES  
 (1) 1200' OF 2.50" D.J. POLYESTER HOSE



ALUMINUM BODY

MAXIMUM O.A.L. 422"

MAXIMUM O.A.H. 138"

NOTE  
 DIMENSIONS SHOWN ARE APPROXIMATE AND ARE SUBJECT TO MINOR DEVIATIONS AS MAY OCCUR OR BE NECESSARY IN CONSTRUCTION. MINOR DETAILS NOT SHOWN.

02DEC21	JLA	NAS	CHASSIS DATA
02DEC21	JLA	NAS	MAKE
24NOV21	JLA	NAS	FL
01OCT21	JLA	RW1	MODEL
23SEP21	JLA	RW1	M2-106
REV	DATE	BY	CH

**Pierce MANUFACTURING INC.**

JOB NO. 36655

SCALE 1:24 DATE

DRAWN BY JLA 13SEP21

CHECKED BY RWI 15SEP21

SHEET SIZE D SHEET NO. 1 OF 1

TITLE 1500-D-2980P, 20 FOAM, 216 BODY, HIGH SIDE DRY SIDE 45" SIDE CONTROL, (2) 1.50" (1) 2.50" SPEEDLAYS

FOR CALVERT TOWNSHIP SHERIDAN, ARKANSAS

DWG NO. 36655AD