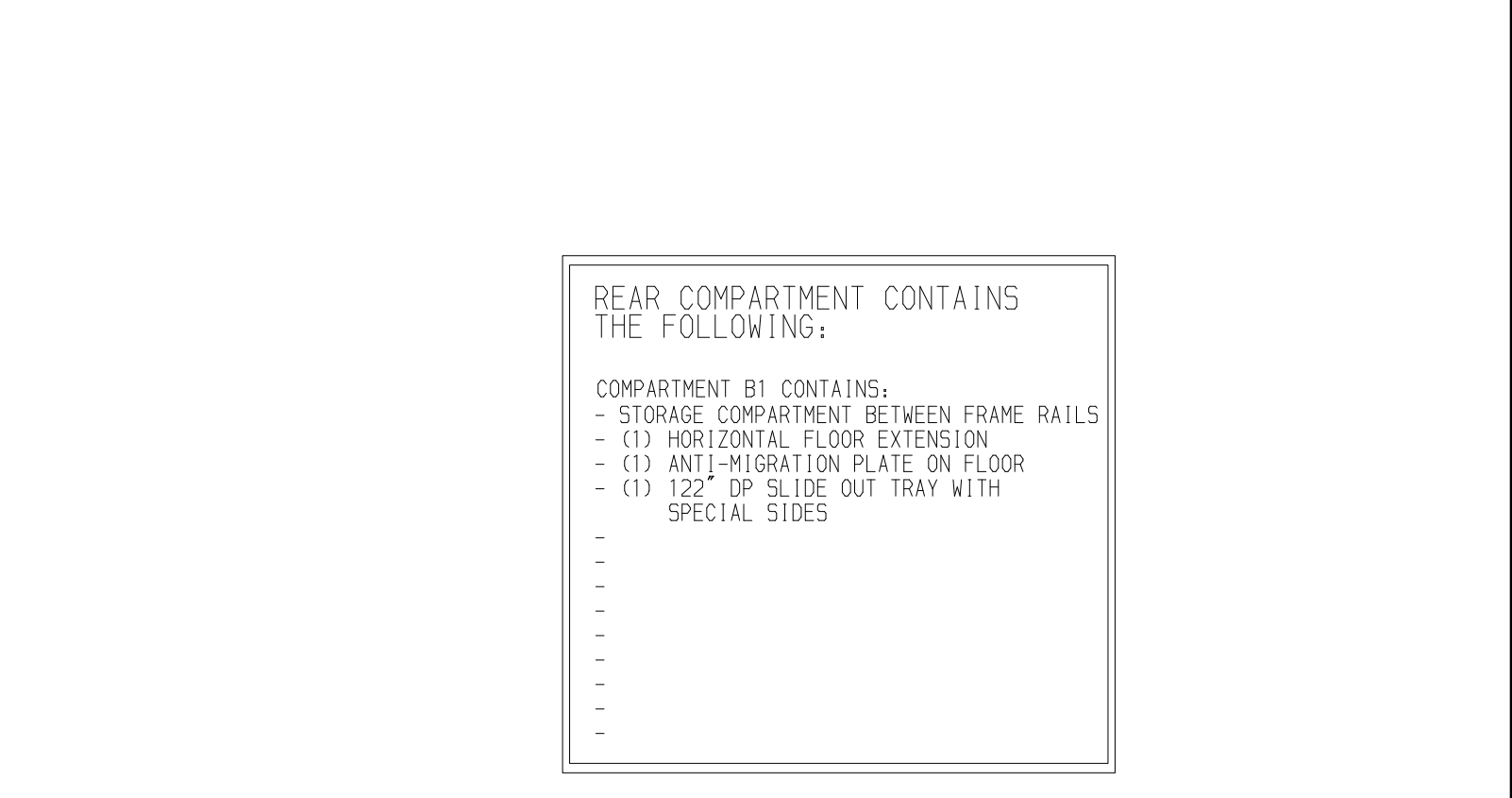
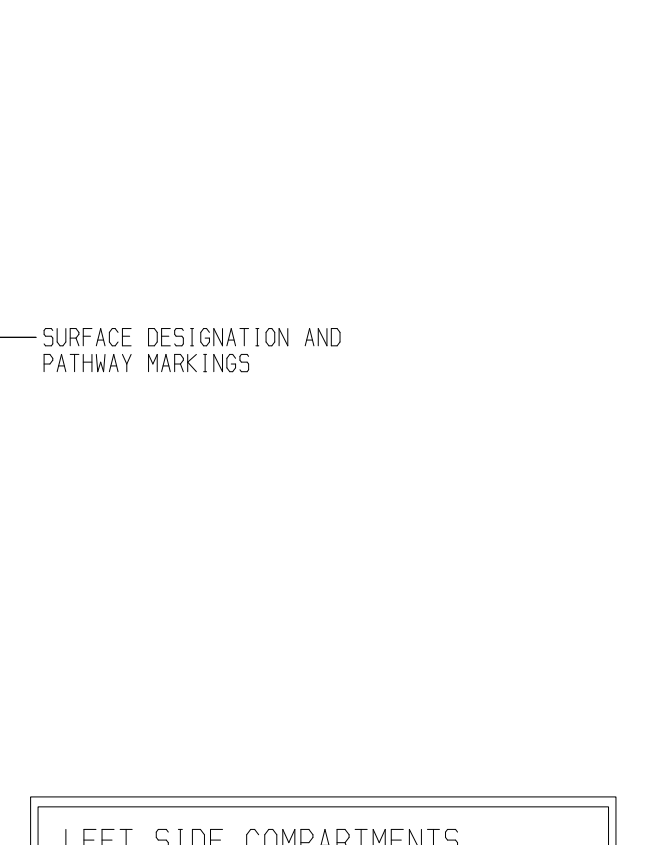
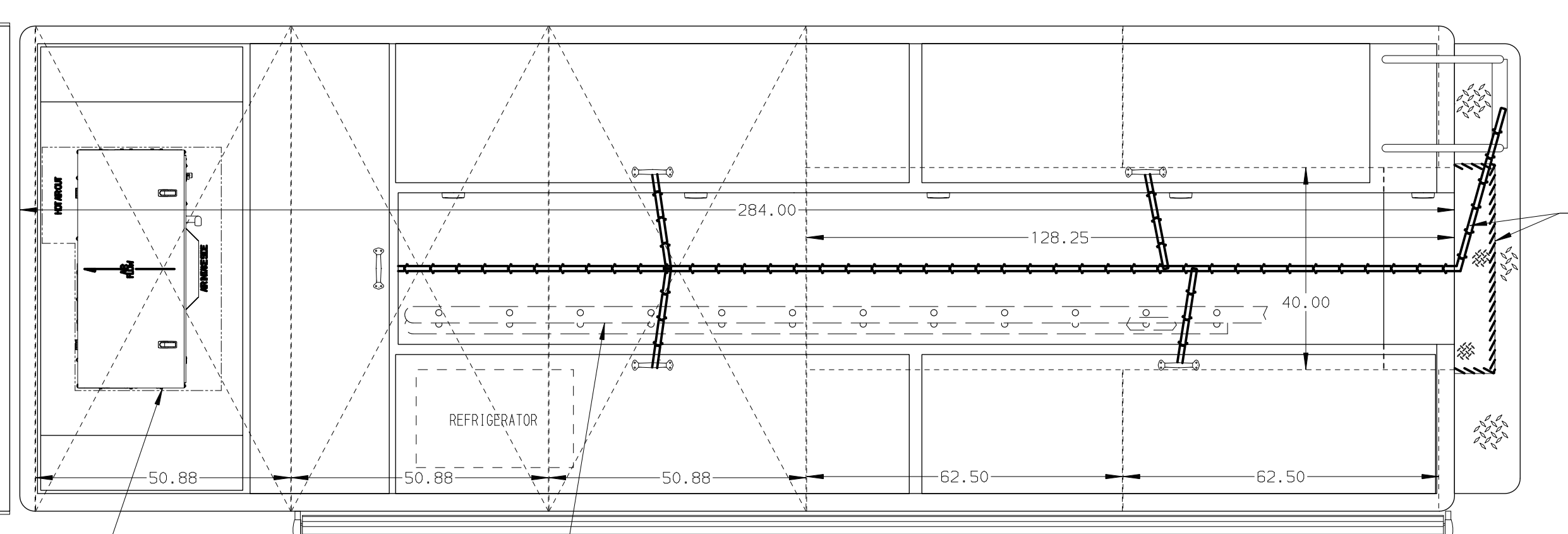
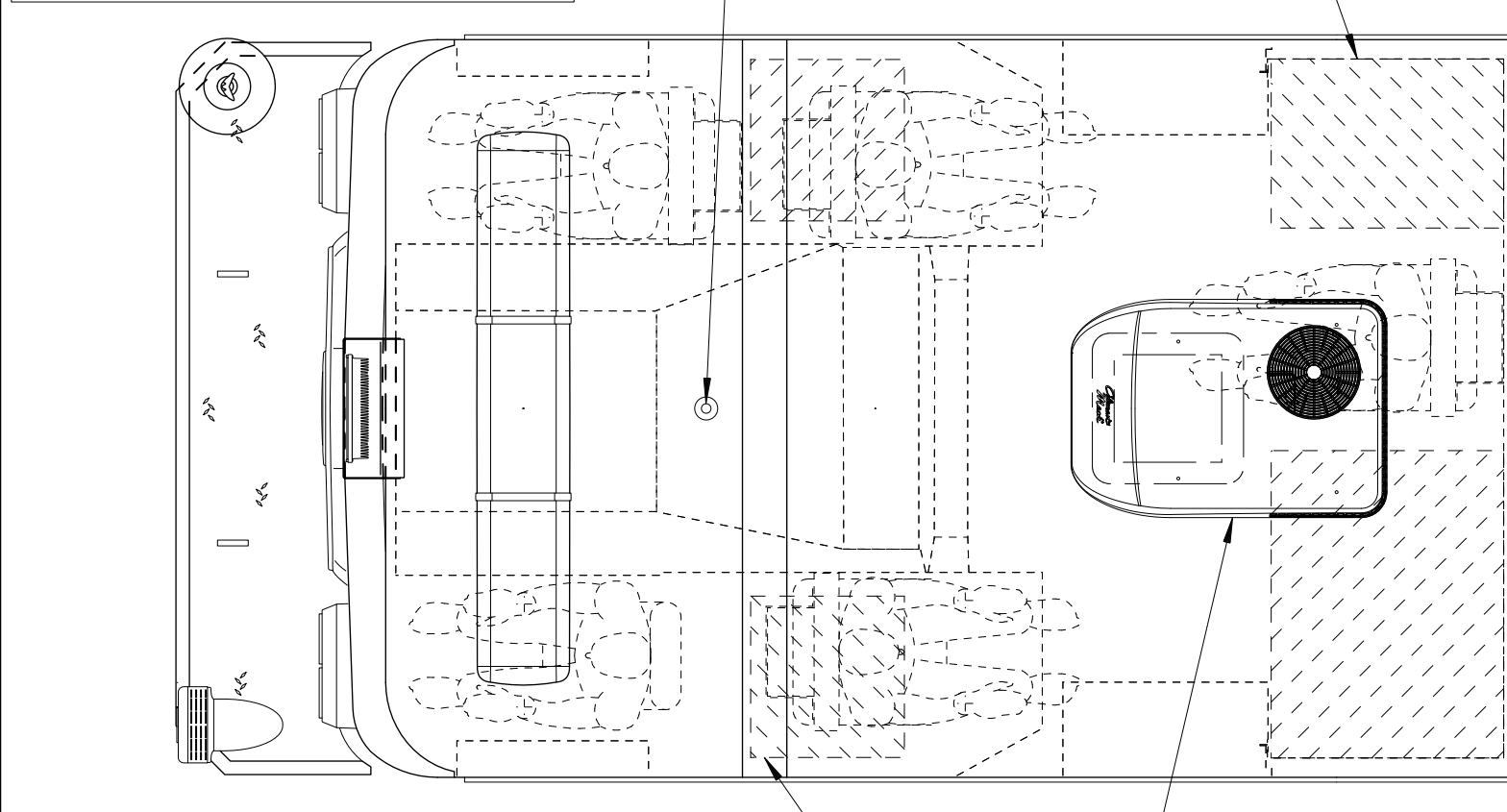
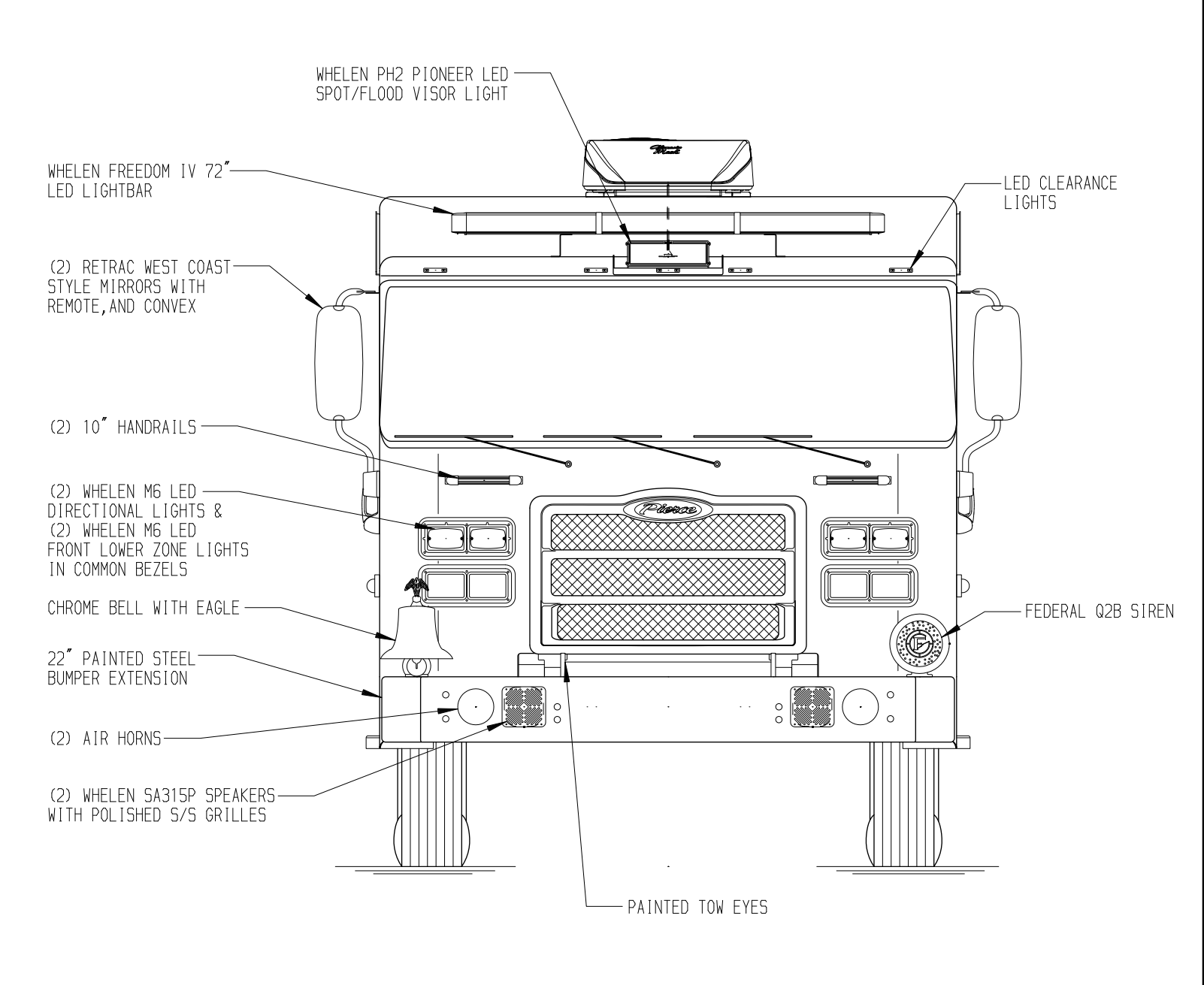
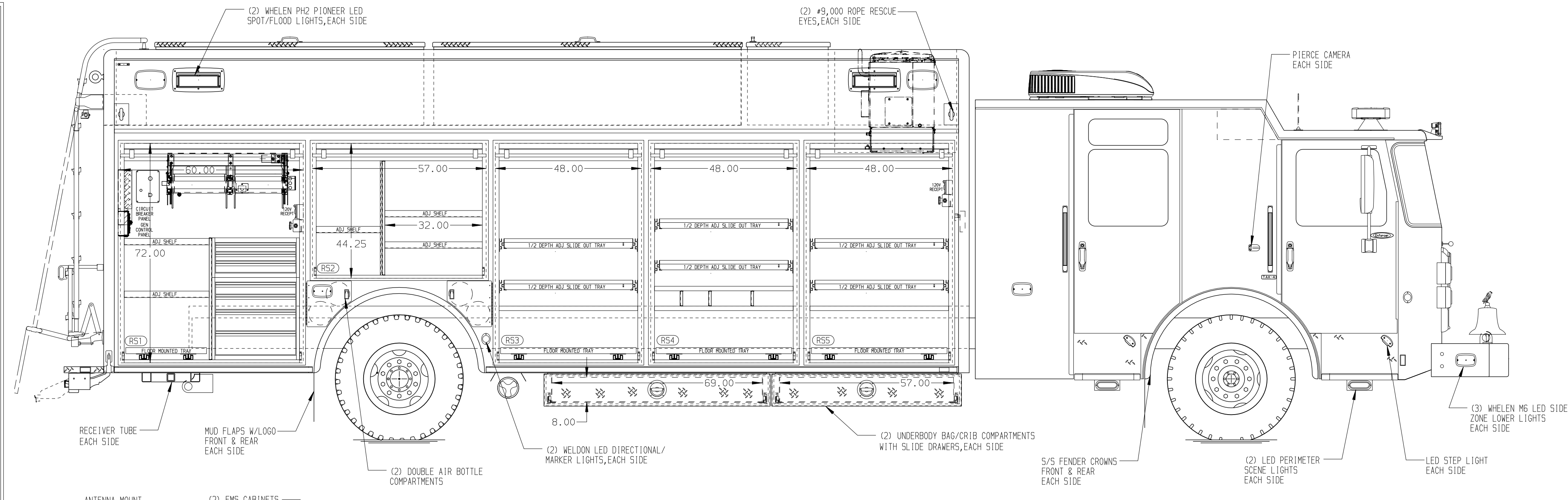
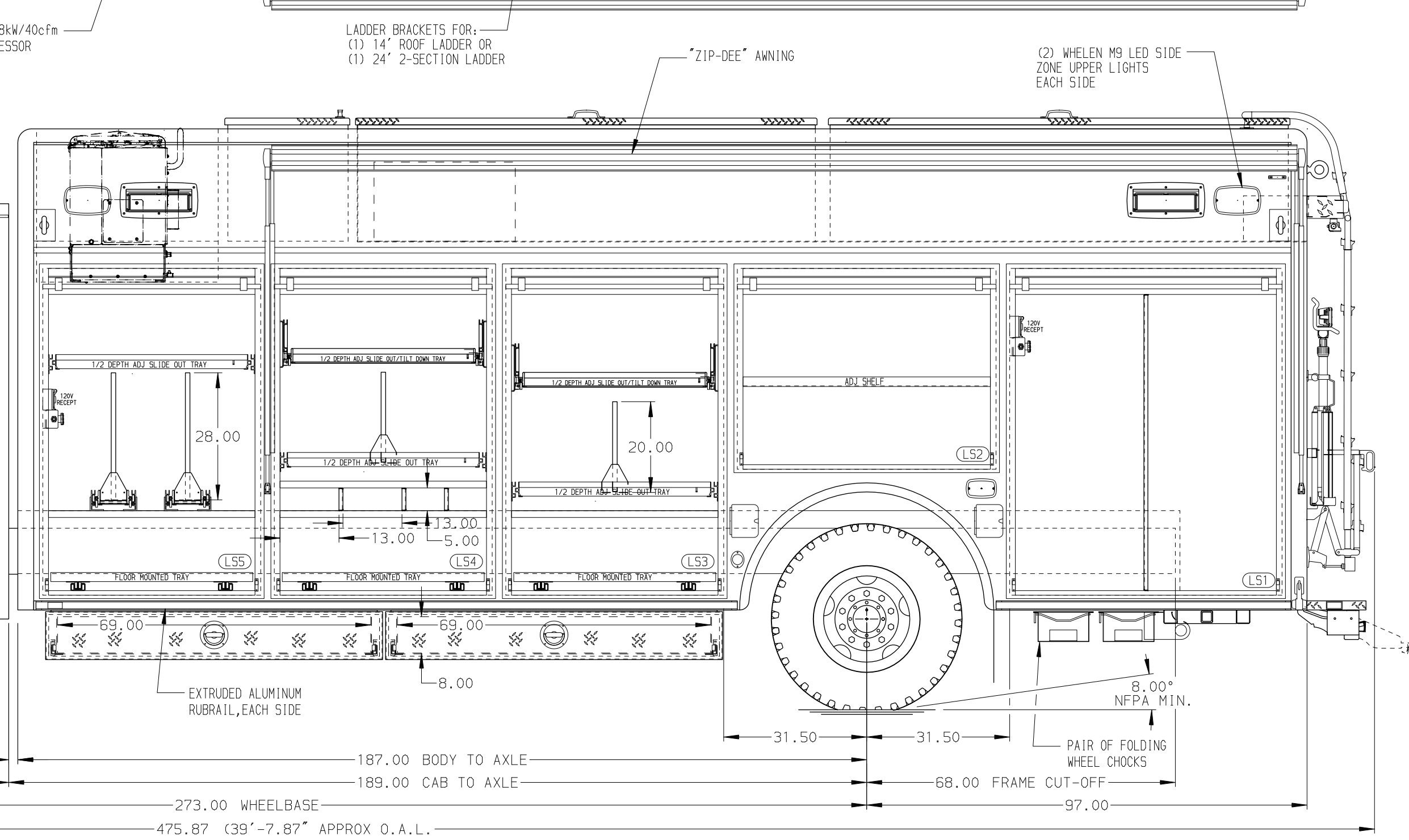
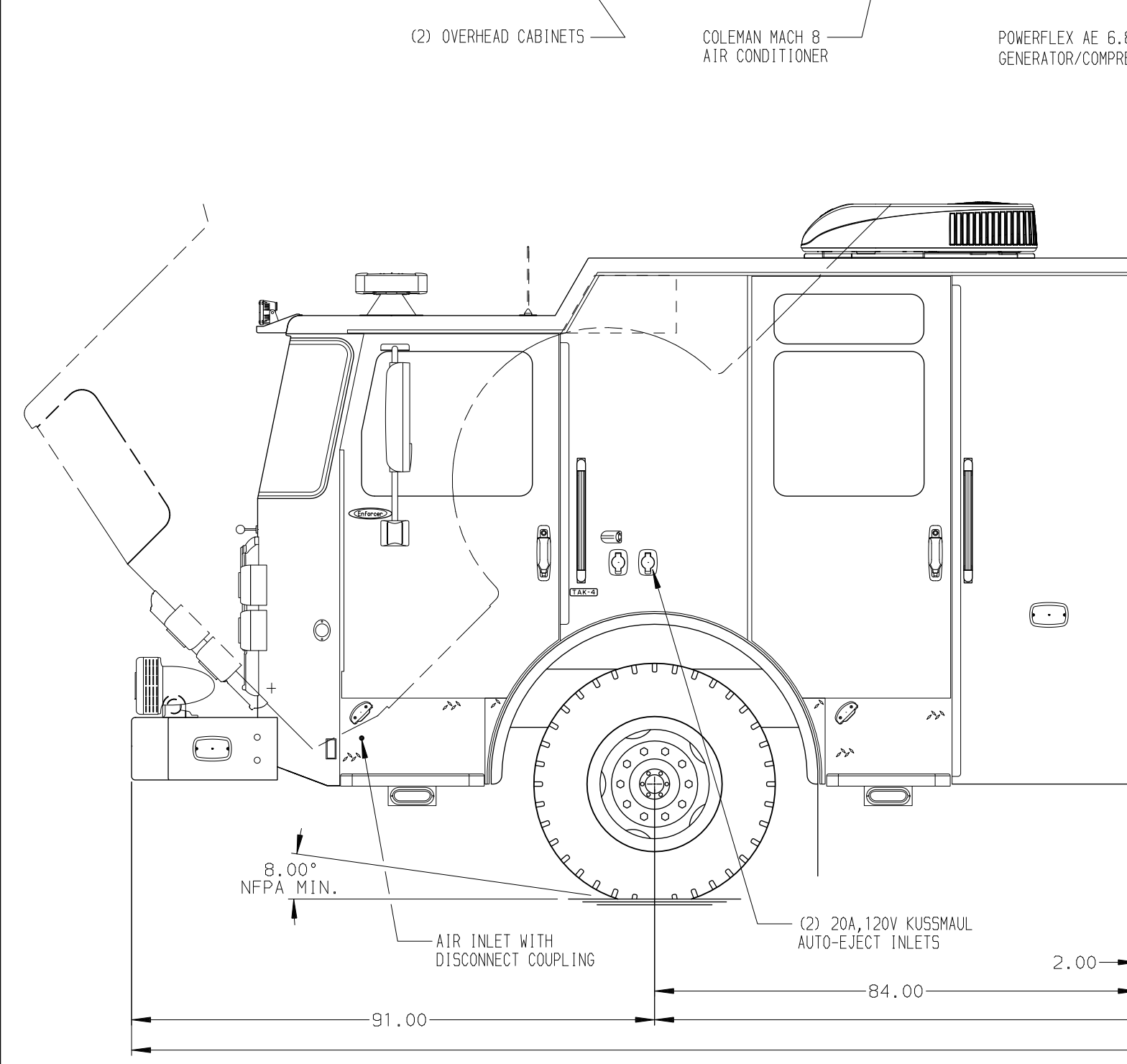


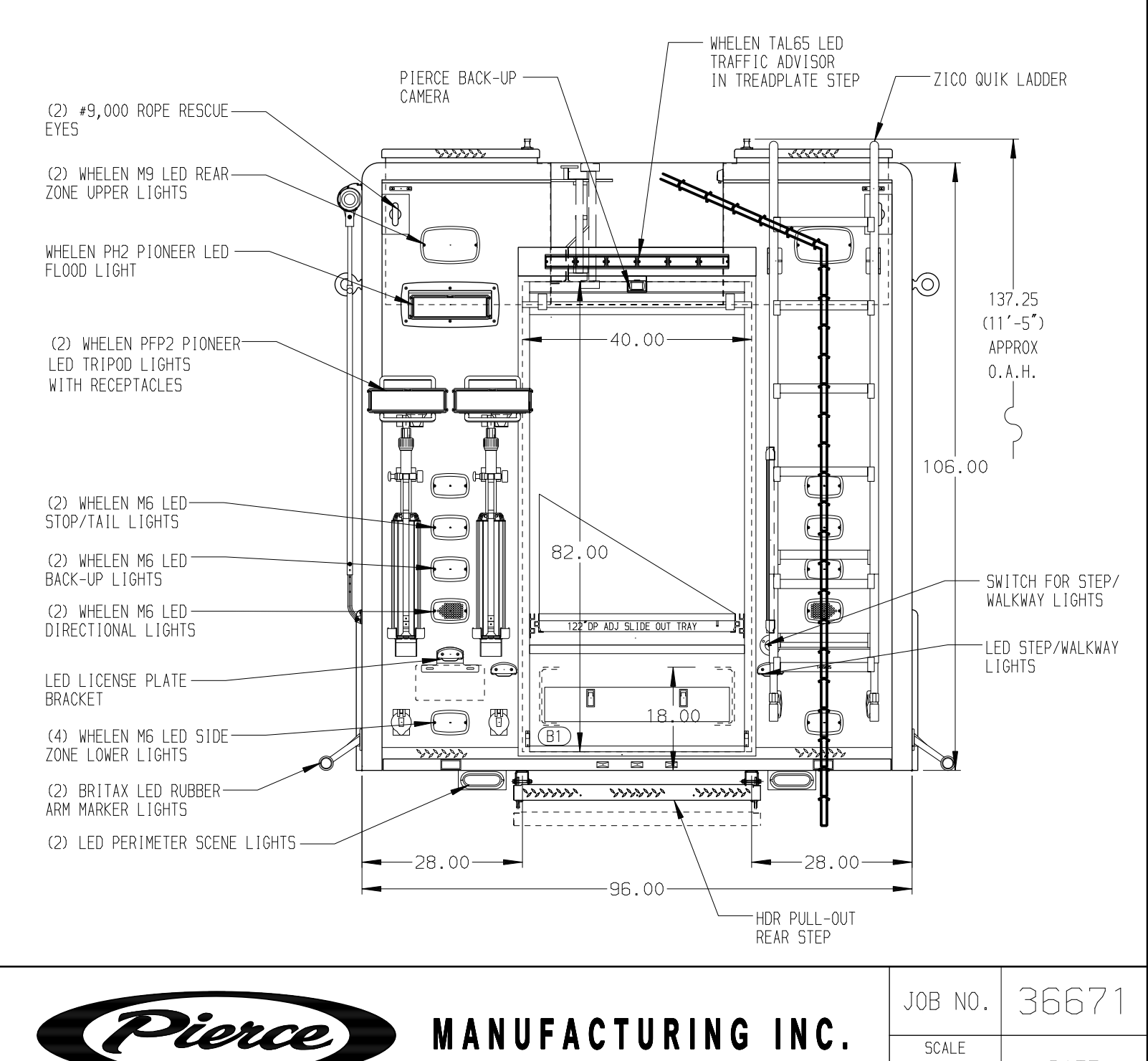
- RIGHT SIDE COMPARTMENTS CONTAIN THE FOLLOWING:**
- COMPARTMENT RS1 CONTAINS:**
- (1) VERTICAL COMPARTMENT DIVIDER
 - (2) STD DEPTH ADJ SHELVES
 - (1) STD DEPTH FLOOR MOUNTED TRAY
 - (1) 4-DRAWER C-TECH CABINET
 - (1) 3-DRAWER C-TECH CABINET
 - (1) CIRCUIT BREAKER PANEL
 - (1) GENERATOR METER PANEL
 - (1) 15/20A, 120V DUPLEX RECEPTACLE
 - REGULATOR AND GAUGES FOR TOOL AIR
 - (1) TOOL AIR OUTLET
 - (1) POWERFLEX GENERATOR/COMPRESSOR CONTROLLER
 - (1) HANNAY DUAL REEL WITH 200' OF AIR HOSE AND 300' OF 10/4 YELLOW CORD
- COMPARTMENT RS2 CONTAINS:**
- (1) VERTICAL COMPARTMENT DIVIDER
 - (3) STD DEPTH ADJ SHELVES
- COMPARTMENT RS3 CONTAINS:**
- (1) HORIZONTAL FLOOR EXTENSION
 - (2) 1/2 DEPTH ADJ SLIDE OUT TRAYS
 - (1) STD DEPTH FLOOR MOUNTED TRAY
- COMPARTMENT RS4 CONTAINS:**
- (1) HORIZONTAL FLOOR EXTENSION
 - (1) FALSE FLOOR
 - (3) VERTICAL DIVIDERS BELOW FALSE FLOOR
 - (2) 1/2 DEPTH ADJ SLIDE OUT TRAYS
 - (1) STD DEPTH FLOOR MOUNTED TRAY
- COMPARTMENT RS5 CONTAINS:**
- (1) CAB LIFT CONTROLLER
 - (1) HORIZONTAL FLOOR EXTENSION
 - (2) 1/2 DEPTH ADJ SLIDE OUT TRAYS
 - (1) STD DEPTH FLOOR MOUNTED TRAY
 - (1) 15/20A, 120V DUPLEX RECEPTACLE
 - (1) TOOL AIR OUTLET



- REAR COMPARTMENT CONTAINS THE FOLLOWING:**
- COMPARTMENT B1 CONTAINS:**
- STORAGE COMPARTMENT BETWEEN FRAME RAILS
 - (1) HORIZONTAL FLOOR EXTENSION
 - (1) ANTI-MIGRATION PLATE ON FLOOR
 - (1) 122" DP SLIDE OUT TRAY WITH SPECIAL SIDES



- LEFT SIDE COMPARTMENTS CONTAIN THE FOLLOWING:**
- COMPARTMENT LS1 CONTAINS:**
- REINFORCED WALLS
 - (3) HEAVY DUTY COMPARTMENT DIVIDER
 - (1) 15/20A, 120V DUPLEX RECEPTACLE
 - (1) TOOL AIR OUTLET
- COMPARTMENT LS2 CONTAINS:**
- (1) STD DEPTH ADJ SHELF
- COMPARTMENT LS3 CONTAINS:**
- (1) HORIZONTAL FLOOR EXTENSION
 - (1) 1/2 DEPTH ADJ SLIDE OUT TRAY WITH TOOLBOARD
 - (1) 1/2 DEPTH ADJ SLIDE OUT/TILT TRAY
 - (1) STD DEPTH FLOOR MOUNTED TRAY
- COMPARTMENT LS4 CONTAINS:**
- (1) HORIZONTAL FLOOR EXTENSION
 - (1) FALSE FLOOR
 - (3) VERTICAL DIVIDERS BELOW FALSE FLOOR
 - (1) 1/2 DEPTH ADJ SLIDE OUT TRAY WITH TOOLBOARD
 - (1) 1/2 DEPTH ADJ SLIDE OUT/TILT TRAY
 - (1) STD DEPTH FLOOR MOUNTED TRAY
- COMPARTMENT LS5 CONTAINS:**
- (1) HORIZONTAL FLOOR EXTENSION
 - (1) 1/2 DEPTH ADJ SLIDE OUT TRAY
 - (1) STD DEPTH FLOOR MOUNTED TRAY
 - (2) 1/2 DEPTH ADJ SLIDE OUT TOOLBOARDS
 - (1) 15/20A, 120V DUPLEX RECEPTACLE
 - (1) TOOL AIR OUTLET



NOTE
DIMENSIONS SHOWN ARE APPROXIMATE AND ARE SUBJECT TO MINOR DEVIATIONS AS MAY OCCUR OR BE NECESSARY IN CONSTRUCTION. MINOR DETAILS NOT SHOWN.

- NOTES:**
- POLISHED S/S SCUFFPLATES ON CAB AND CREW CAB DOOR JAMBS
 - FLOOR IN CAB AND CREW CAB TO BE PADDED RUBBER
 - AIR VENT IN PASSENGER'S SIDE REAR HATCH COMPARTMENT
 - PULL STRAPS ON ALL BODY ROLL-UP DOORS
 - PIERCE DUAL LED LIGHT STRIPS IN ALL BODY COMPARTMENTS
 - CYCLING REFRIGERATOR AND RECEPTACLE LOCATED IN DRIVER'S SIDE FRONT HATCH COMPARTMENT
 - 20A, 120V DUPLEX RECEPTABLES LOCATED IN THE FORWARD HATCH COMPARTMENTS AND IN EACH OF THE EMS CABINETS
 - WARNER LIFESTAR INVERTER/CHARGER LOCATED BEHIND THE DRIVER'S SEAT

CLEAR DOOR WIDTH KEY

AMOR ROLL UP DOORS:	-2 1/4"
CURTAIN ROLL UP DOORS:	-2 1/2"
PIERCE DOUBLE LIP DOORS:	-4 1/4"
PIERCE LIFT-UP LAP DOORS:	-1 1/2"

(EX: 60" F-F - 2 1/4" = 57 3/4" CLEAR)
(F-F) = FRAME TO FRAME

CUSTOMER APPROVAL

APPROVED BY: _____
DATE: _____

REV	DATE	BY	CH	MODEL
200CT21	DHE	AZU	MODEL	ENB410

Pierce MANUFACTURING INC.

JOB NO. 36671

SCALE 1:24 DATE _____

TITLE HEAVY DUTY RESCUE NON-WALKIN

FOR JACKSONVILLE FIRE AND RESCUE BID #697

CHECKED BY AZU 080CT21

DWG NO. 36671AD

SHEET SIZE D SHEET NO. 1 OF 1

ROBERT BOGGUS